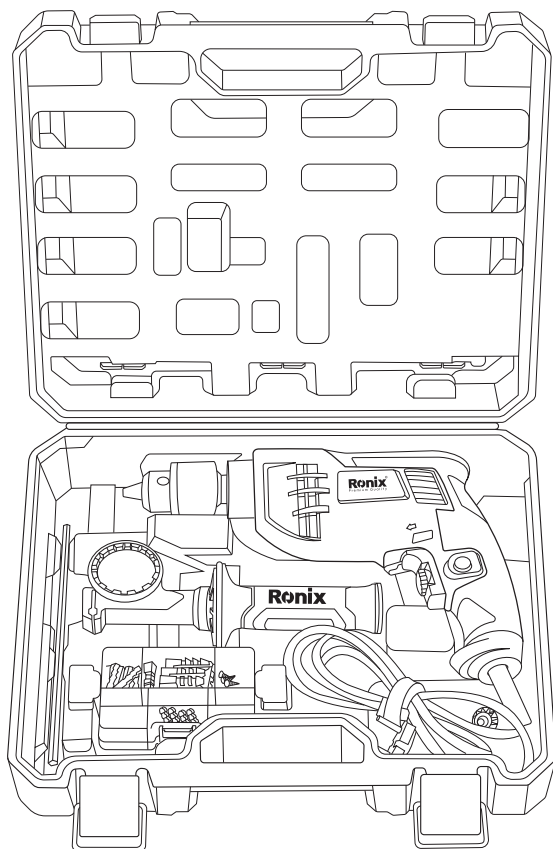


# Ronix<sup>®</sup>

Premium Quality

**IMPACT DRILL KITS 54 PCS**

**RS-0005**

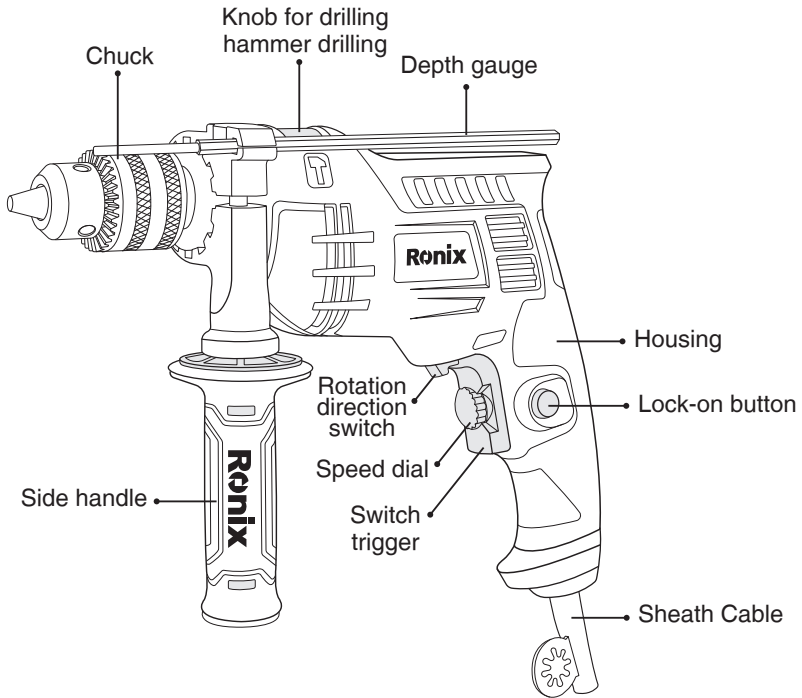


[www.ronixtools.com](http://www.ronixtools.com)

## TECHNICAL SPECIFICATIONS

Model	RS-0005
Power	750 W
Voltage	220-240V
Frequency	50-60Hz
Item package quantity	54
Total weight	4.02 kg
Chuck Type	13mm key chuck
Chuck Capacity	1.5 To 13 mm
No-Load Speed	0-2700 RPM
Max. Capacity in Wood	25 mm
Max Capacity In Steel	13 mm
Max Capacity in Concrete	13 mm
Cable Length	2 m
Weight	1.73kg
Body Material	PA6+GF30
Drill Includes	Chuck key, Side handle, Depth gauge
Package dimensions	375mm * 320 mm * 100mm
Supplied In	BMC
Accessory	twist drill $\Phi$ 4mm/ $\Phi$ 5mm/ $\Phi$ 6mm/ $\Phi$ 8mm/ $\Phi$ 10mm; Wood drill $\Phi$ 4mm/ $\Phi$ 5mm/ $\Phi$ 6mm/ $\Phi$ 8mm/ $\Phi$ 10mm; Masonry drill $\Phi$ 4mm/ $\Phi$ 5mm/ $\Phi$ 6mm/ $\Phi$ 8mm/ $\Phi$ 10mm; Wood flat drill $\Phi$ 12mm/ $\Phi$ 16mm/ $\Phi$ 20mm; Bits 25mm/50mm; Bit ADA 60mm; socket 10mm/11mm/12mm/13mm; Fastener box 110mm $\times$ 74mm $\times$ 23mm; Expansion Tube 10PCS $\Phi$ 5 mm/ $\Phi$ 6 mm/ $\Phi$ 8 mm; SCREW 10PCS $\Phi$ 5 $\times$ 25/ $\Phi$ 4 $\times$ 20 / $\Phi$ 3 $\times$ 16

## PART LIST



## GENERAL POWER TOOL SAFETY WARNINGS

### **⚠ WARNING!**

- Read all safety warnings and all instructions. Failure to follow the warnings and instructions may result in electric shock, fire and or serious injury.
- Save all warnings and instructions for future reference.
- The term “power tool” in the warnings refers to your mains-operated (corded) power tools or battery operated (cordless) power tool.

## ■ WORK AREA SAFETY

- Keep work area clean and well lit. Cluttered or dark areas invite accidents.
- Don't operate power tools in explosive atmospheres, such as in the presence of flammable liquids, gases or dust. Power tools create sparks which may ignite the dust or fumes.
- Keep children and bystanders away while operating a power tool. Distractions can cause you to lose control.

## ■ ELECTRIC SAFETY

- Power tool plugs must match the outlet. Never modify the plug in any way. Don't use any adaptor plugs with earthed (grounded) power tools. Unmodified plugs and matching outlets will reduce risk of electric shock.
- Avoid body contact with earthed or grounded surfaces such as pipe, radiators, ranges and refrigerators. There is an increased risk of electric shock if your body is earthed or grounded.
- Don't expose power tools to rain or wet conditions. Water entering a power tool will increase the risk of electric shock.
- Don't abuse the cord. Never use the cord for carrying, pulling or unplugging the power tool. Keep cord away from heat, oil, sharp edges or moving parts. Damaged or entangled cords increased the risk of electric shock.
- When operating a power tool outdoors, use an extension cord suitable for outdoor use. Using a cord suitable for outdoor use will reduce the risk of electric shock.
- If operating a power tool in a damp location is unavoidable, use a residual current device (RCD) protected supply. Use of an RCD reduces the risk of electric shock.
- Use of power supply via an RCD with a rated residual current of 30mA or less is always recommended.

## PERSONAL SAFETY

- Stay alert, watch what you are doing and use common sense when

operating a power tool. Don't use a power tool while you are tired or under the influence of drugs, alcohol or medication. A moment of inattention while operating power tools may result in serious personal injury.

- Use personal protective equipment. Always wear eye protection. Protective equipment such as dust mask, non-skid safety shoes, hard hat, or hearing protection used for appropriate conditions will reduce personal injuries.
- Prevent unintentional starting. Ensure the switch is in the off-position before connecting to power source and/or battery pack, picking up or carrying the tool. Carrying power tools with your finger on the switch or energizing power tools that have the switch on invites accidents.
- Remove any adjusting key or wrench before turning the power tool on. A wrench or a key left attached to a rotating part of the power tool may result in personal injury.
- Don't overreach. Keep proper footing and balance at all times. This enables better control of the power tool in unexpected situations.
- Dress properly. Don't wear loose clothing or jewelry. Keep your hair, clothing, and gloves away from moving parts. Loose cloths, jewelry or long hair can be caught in moving parts.
- If devices are provided for connection of dust extraction and collection facilities, ensure these are connected and properly used. Use of dust collection can reduce dust-related hazards.

## **POWER TOOL USE AND CARE**

- Don't force the power tool. Use the correct power tool for your application. The correct power tool will do the job better and safer at the rate for which it was designed.
- Don't use the power tool if the switch doesn't turn it on and off. Any power tool that cannot be controlled with the switch is dangerous and must be repaired.
- Disconnect the plug from the power source and/or the battery pack from

the power tool before making any adjustments, changing accessories, or storing power tools. Such preventive safety measures reduce the risk of starting the power tool accidentally.

- Store idle power tools out of the reach of children and don't allow persons unfamiliar with power tool or these instructions to operate the power tool. Power tools are dangerous in the hands of untrained users.
- Maintain power tools. Check for misalignment or binding of moving parts, breakage of parts and any other condition that may affect the power tool's operation. If damaged, have the power tool repaired before use. Many accidents are caused by poorly maintained power tools.
- Keep cutting tools sharp and clean. Properly maintained cutting tools with sharp cutting edges are less likely to bind and are easier to control.
- Use the power tool, accessories and tool bits etc. in accordance with the instruction, taking into account the working conditions and the work to be performed. Use of the power tool for operations different from those intended could result in a hazardous situation.

## **SERVICE**

- Have your power tool serviced by qualified repair person using only identical replacement parts. This will ensure that the safety of power tool is maintained.
- Follow instruction for lubricating and changing accessories.
- Keep handles dry, clean and free from oil and grease.

## **FUNCTIONAL DESCRIPTION**

### **CAUTION:**

Always be sure that the tool is switched off and unplugged before adjusting or checking function on the tool.

Before plugging in the tool, always check to see that the switch trigger actuates properly and returns to the "OFF" position when released.

Switch can be locked in "ON" position for ease of operator comfort

during extended use. Apply caution when locking tool in “ON” position and maintain firm grasp on tool.

To start the tool, simply pull the switch trigger. Release the switch trigger to stop.

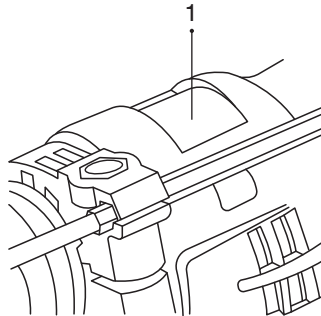
For continuous operation, pull the switch trigger and then push in the lock-on button.

To stop the tool from the locked position, pull the switch trigger fully, then release it.


## **SPEED CHANGE**


To change the speed, rotate the speed dial to the “-” position for low speed or the “+” position for high speed.

## **SELECTING THE ACTION MODE**



### **1- Knob for drilling/hammer drilling**

This tool has two drill mode. One is drill mode, the other is hammer mode. When drilling in wood metal, ceramics and plastics and for the screw-driver function, select drill mode, push block to [  ] position.

When drilling in cement or stone, select hammer mode, push block to [  ] position.

only change action mode when the machine is switched off.

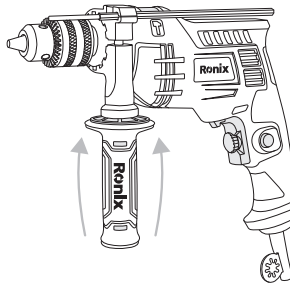
## ASSEMBLY

### CAUTION:

Always be sure that the tool is switched off and unplugged before carrying out any work on the tool.

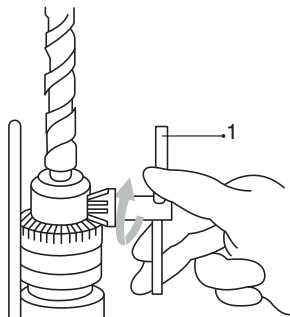
## INSTALLING AUXILIARY HANDLE

Always use the auxiliary handle to ensure operating safety. Install the auxiliary handle on the tool barrel. Then tighten the handle by turning clockwise at the desired position. It may be swung 360° so as to be secured at any position.



## INSTALLING OR REMOVING DRILL BIT

1- Chuck

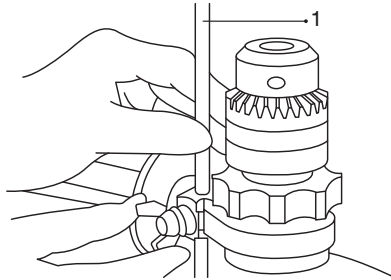




To install the bit, place it in the chuck as far as it will go. Tighten the chuck by hand. Place the chuck key in each of the three holes and tighten clockwise. Be sure to tighten all three chuck holes evenly. To remove the bit, turn the chuck key counterclockwise in just one hole, then loosen the chuck by hand. After using the chuck key, be sure to return to the original position.

## DEPTH GAUGE

### 1- Depth gauge



The depth gauge is convenient for drilling holes of uniform depth. Loosen the auxiliary handle and adjust the depth gauge to the desired depth. After adjusting, tighten the auxiliary handle.

### **▲ NOTE:**

The depth gauge cannot be used at the position where the depth gauge strikes against the tool body.

## OPERATION

### ■ DRILLING OPERATION

#### ■ DRILLING IN WOOD

For maximum performance, use wood bits for wood drilling. Selector to drill mode.

Secure the workpiece to prevent it from turning when drilling.

Begin drilling at a very low speed to prevent the bit from slipping off the starting point. Increase the speed as the drill bit bites into the material.

## ■ DRILLING IN METAL

For maximum performance, use high speed steel bits for metal or steel drilling.

Selector to drill mode.

To prevent the bit from slipping when starting a hole, make an indentation with a center-punch and hammer at the point to be drilled. Place the point of the bit in the indentation and start drilling.

Use a cutting lubricant when drilling metals. The exceptions are iron and brass which should be drilled dry.

## ■ DRILLING IN MASONRY

For maximum performance use masonry bits when drilling holes in brick, tile, concrete, etc. Selector to hammer mode. Apply light pressure and medium speed for best results in brick. Apply additional pressure and high speed for hard materials such as concrete. When drilling in tile, practice on a scrap piece to determine the best speed and pressure.

## CAUTION:

There is a tremendous twisting force exerted on the tool/bit at the time of hole breakthrough. Hold the tool firmly and exert care when the bit begins to break through the workpiece.

Always secure small workpieces in a vise or similar hold-down device. Avoid drilling in material that you suspect contains hidden nails or other things that may cause the bit to bind or break.

## MAINTENANCE

Always be sure that the tool is switched off and unplugged before

attempting to perform inspection or maintenance. Never use gasoline, benzine, thinner, alcohol or the like. Discoloration, deformation or cracks may result.

Clean ventilation slots regularly with a brush or compressed air.



**Ronix**<sup>®</sup>  
Premium Quality

[www-ronixtools.com](http://www-ronixtools.com)