

RP-1160

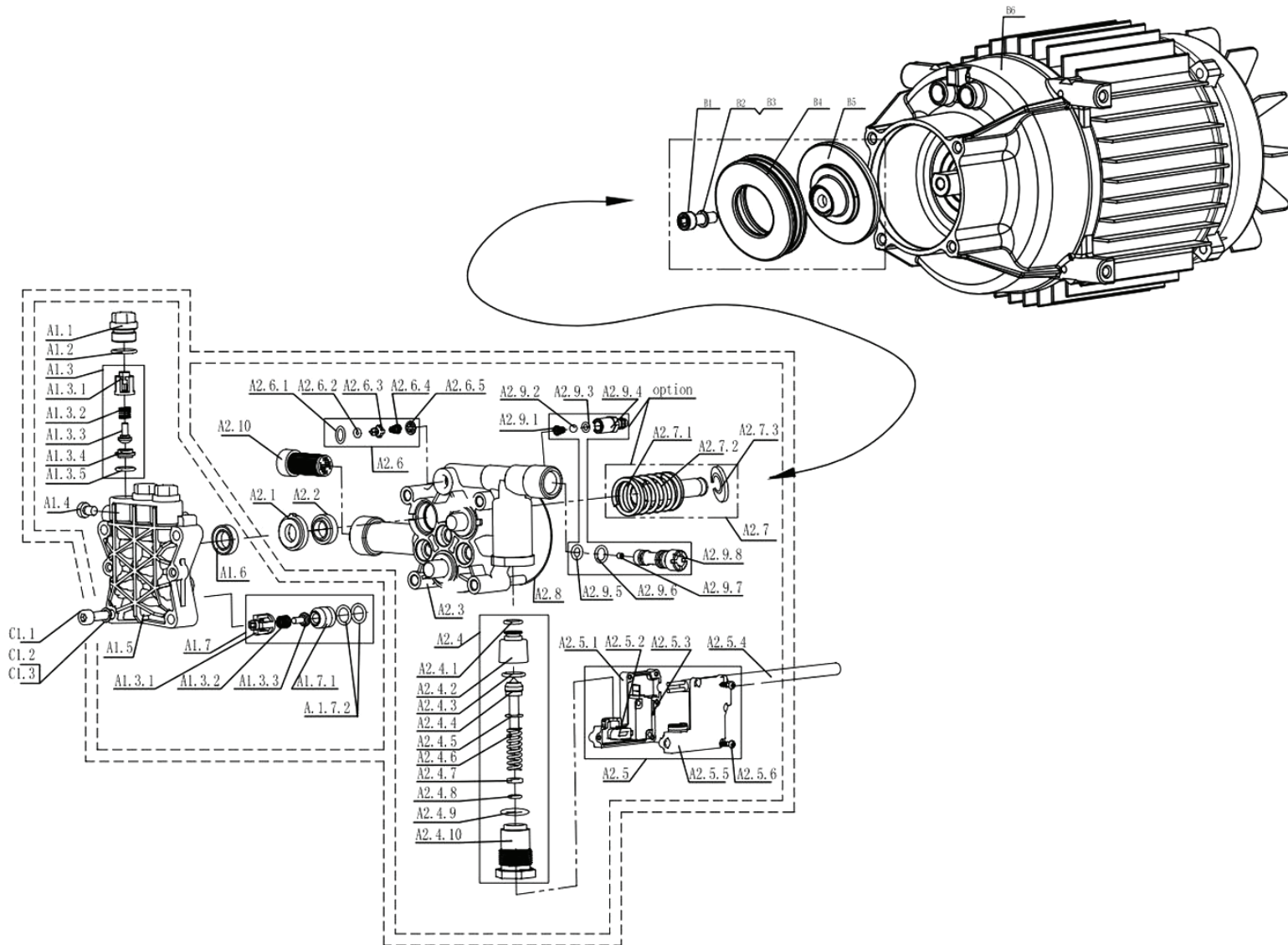
Induction High Pressure Washer 160Bar-2200W

Number	Name
1	Inlet water nut ass'y
2	ON/OFF Switch
3	Switch deck
4	Inlet water deck
5	Front housing
6	Screw,ST2.9X13
7	Wire sealing ring
8	Screw,ST4X14
9	Switch box
10	Gunstock
11	Gun lever
12	Switch
13	ScrewM5X18
14	Pump base
15	Waterproof board
16	Switch cover
17	Capacitor board
18	Capacitor30UF
19	Capacitor cover
20	left wheel brim
21	right wheel brim
22	Clapboard
23	Back housing
24	Bearing
25	Washer
26	external circlip
27	Wheel
28	Wheel cover
29	wheel
30	wheel cover
31	Spray gun YLG05
32	Spray gun YLG06

Number	Name
33	Spray gun YLG04
34	High pressure hose (steel wired)
35	Warning label
36	Power cord ass'y
37	Brush Connection 05
38	Brush connection 04
39	Patio brush kit
40	Fix brush kit
41	Spray lance YLG05A
42	Spray nozzle
43	Spray lance YLG06
44	Spray lance YLG04A.3
45	Spray lance YLG04
46	Label
47	Detergent tank
48	Power cord sheath
49	Power cord clip
50	Spray plug
51	Spray spigot
52	Detergent tank cover
53	tube
54	Inner tube
55	Gun holder
56	Screw ST4.8*20
57	Gun holder
58	Detergent tube connection
59	Screw ST4.8*25
60	Right cover of hose reel bracket
61	left cover of hose reel bracket
62	Hose reel bracket
63	Inner high pressure hose
64	Rolling handle cover

Number	Name
65	Screw 4.8x16
66	Rolling handle
67	Hose reel
68	U pin
69	High pressure tube connection
70	O-ringφ4.8×1.8
71	Three channels connector
72	Pressure gauge
73	Two channels connector
74	Handle cover
75	Damping ring
76	Sawtooth washerφ4
77	Spring washerφ4
78	Screw,M4X8
79	Induction motor board
80	Wind cover
81	Motor
82	Pump
83	FAN 160b

Motor



Number	Name
A	pump assembly
A1	pump head assembly
A1.1	brass valve nut
A1.1	alum. valve nut
A1.2	O-ring
A1.3	oulet valve assembly
A1.3.1	valve bracket
A1.3.2	valve spring
A1.3.3	valve core
A1.3.4	valve base
A1.3.5	O-ring
A1.4	x-screw
A1.5	brass pump head
A1.5	alum. pump head
A1.6	Y-seal
A1.7	Inlet valve kit
A1.7.1	Inlet valve base
A1.7.2	O-ring
A1.3.1	valve bracket
A1.3.2	valve spring
A1.3.3	valve core
A2	Cylinder block assemble
A2.1	seal base
A2.2	piston oil seal
A2.3	Cylinder block
A2.4	bypass valve kit
A2.4.1	O-ring
A2.4.2	Bypass cylinder
A2.4.3	O-ring
A2.4.4	Bypass core
A2.4.5	stop ring
A2.4.6	Bypass spring

Number	Name
A2.4.7	washer
A2.4.8	O-ring
A2.4.9	O-ring
A2.4.10	bypass screw
A2.5	micro-switch kit
A2.5.1	lower box cover
A2.5.2	pole
A2.5.3	micro-switch
A2.5.4	micro-switch cabbie
A2.5.5	upper box cover
A2.5.6	ST-screw
A2.6	Chief vave kit
A2.6.1	O-ring
A2.6.2	O-ring
A2.6.3	Chief valve core
A2.6.4	Cone spring
A2.6.5	Cone spring base
A2.7	piston kit
A2.7.1	piston spring
A2.7.2	piston
A2.7.3	Spring chuck
A2.8	O-ring
A2.9	siphon kit
A2.9.1	taper spring
A2.9.2	steel ball Sc5
A2.9.3	O-ring
A2.9.4	siphon nipple
A2.9.5	O-ring
A2.9.6	O-ring
A2.9.7	Venturi nozzle
A2.9.8	Venturi tube
A2.10	filter

Number	Name
B1	inner hexagon screw
B2	elastic washer
B3	elastic washer
B4	bearing
B5	wobble disc
B6	induction motor 1.8KW
C1.1	inner hexagon screw
C1.2	elastic washer
C1.3	washer