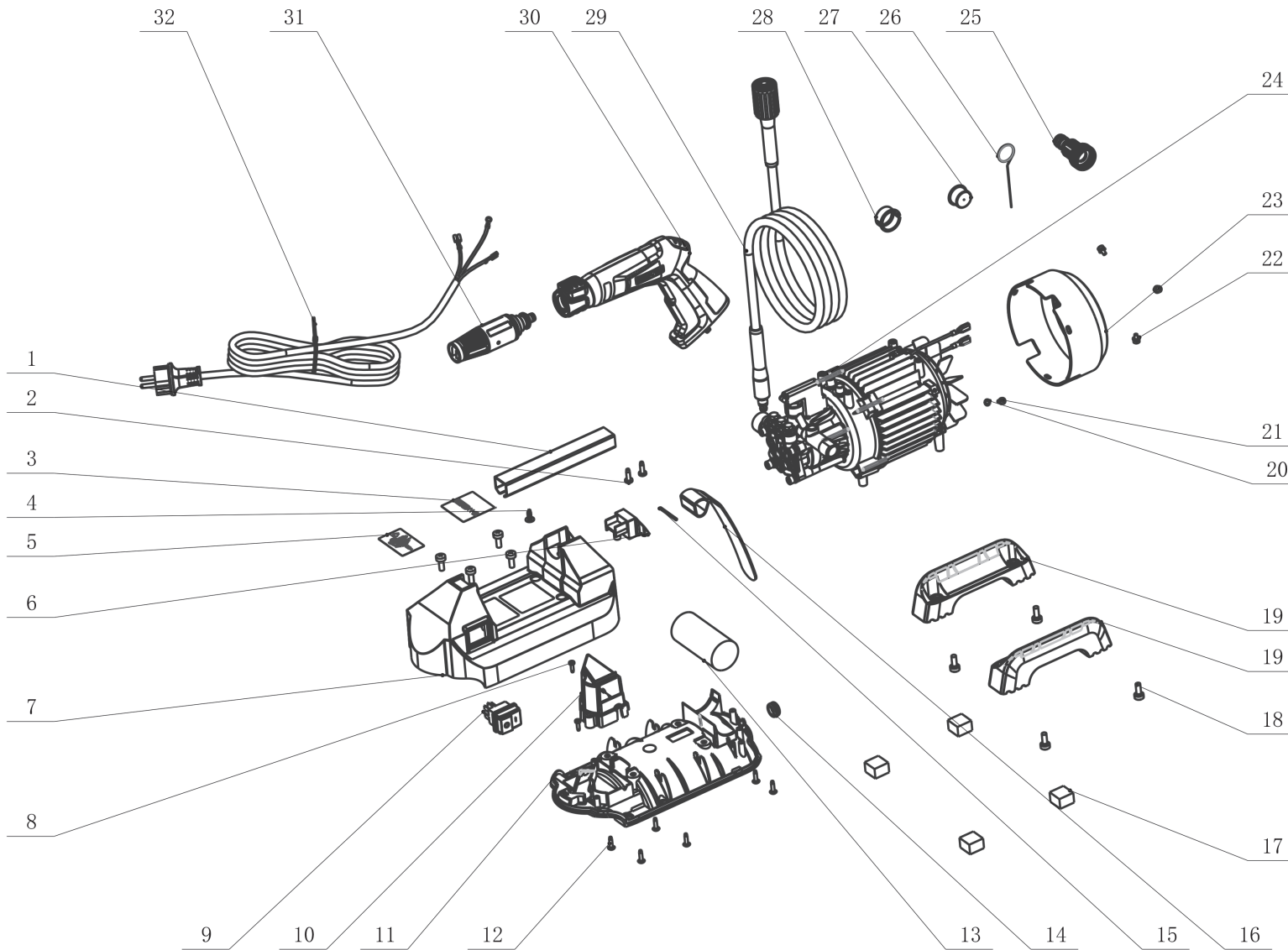


Number	Name
1	1170 copper wire motor
2	YLP1110 pump
3	Pump head kit
4	Pump head
5	Outlet CHECK-VALVE kit
6	Outlet CHECK-VALVE base
7	Valve core
8	Valve holder
9	Valve spring
10	O-ring 8.4X1.8
11	O-ring 9.8X1.9
12	CHECK-VALVE Nut
13	Inlet CHECK-VALVE kit
14	Valve holder
15	Inlet CHECK-VALVE base
16	Valve core
17	Valve spring
18	O-ring 8x2
19	Y-SEAL-10x16x4
20	O-ring 6x2
21	St screw M6x8
22	YLP1110 PISTON-GUIDER ASSY
23	PISTON-GUIDER
24	CHIEF-VALVE-ASSY
25	Valve core for CHIEF-VALVE-ASSY
26	CHIEF-VALVE-ASSY base
27	Spring for CHIEF VALVE-ASSY
28	O-ring 3.5X1.9

Number	Name
29	BYPASS-VALVE
30	Nut for bypass-valve
31	Sleeve for bypass-valve
32	Mandril for bypass-valve
33	Valve core for bypass-valve
34	O-ring 7.5x1.8
35	Spring for bypass-valve
36	Gasket for bypass-valve
37	O-ring 10x2
38	O-ring 12.5x1.8
39	Check ring 4x6.8x1.3
40	O-ring 3.5x1.9
41	Inlet tube
42	U pin
43	Psiton sealing
44	Sealing holder
45	Piston-assy
46	Piston
47	Split chuck
48	Piston spring
49	O-ring 9.8x2.4
50	O-ring 60x2.1
51	WOBBLE-DISC 13°
52&53	Spring-washer ϕ 8 & screw M8x20
54	THRUST-BALL-BEARING
55	Plain washer
56	Spring-washer ϕ 6
57	Screw M6x55
58	Mirco swith

Number	Name
59	Upper cover
60	Bottom cover
61	Push rod
62	ST2.9x9.5
63	Micro switch wire assembly
64	Motor blades
65	Circlip for shaft
66	Filter

POWER TOOLS



Number	Name
1	HANDLE
2	ST screw ST4.8x16
3	RATING LABEL
4	ST screw with coverST4.8÷16
5	Warding label
6	HANDLE LOCK
7	TOP COVER
8	ST SCREW
9	SWITCH
10	SWITCH BOX
11	BOTTOM COVER
12	ST3.9x16
13	CAPACITANCE
14	POWER-LINE-JACKET
15	LANCE-PIN
16	HOOK-LOOP
17	DAMPING-PAD
18	ST screw M6x16
19	BOTTOM-LEG
20	Serrated lock washers
21	ST SCREWM4x8
22	ST SCREWM4x8
23	MOTOR-COVER
24	MOTOR PUMP KIT
25	COUPLING FILER
26	PIN
27	JACKET FOR WATER INLET SCREW
28	JACKET FOR WATER INLET SCREW
29	5M pvc hose
30	YLG21-SPARY-GUN-ASSY-YL-CD
31	YLG21-QUICK-S-HEAD-ASSY-CD
32	POWER CORD VDE

RP-0110C