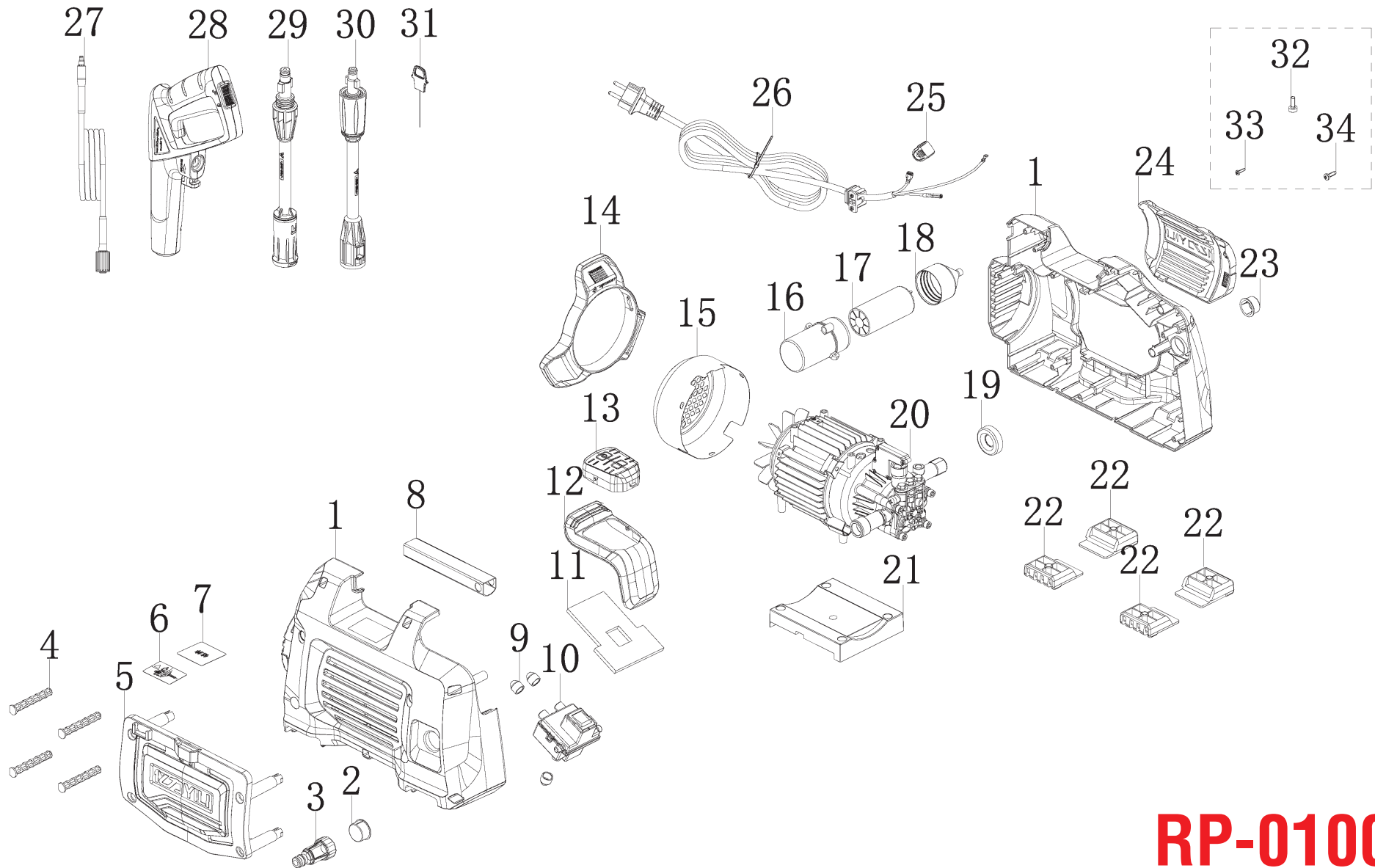


Number	Name
1	External circlip
2	Fan
3	Motor -LV
4	Wobble disc
5	Spring washer ϕ 8-ROHS
6	M8x20/ROHS
7	Thrust ball bearing
8	M6x55/ROHS
9	Spring washer ϕ 6-ROHS
10	Plain washer
11	Pump head kit
12	Pump kit
13	Check valve nut
14	O-ring
15	Outlet check valve
16	ST screw
17	Pump head
18	Water sealing
19	Inlet check valve
20	O-ring
21	Piston guider assy
22	Sealing holder
23	Piston sealing
24	U-pin
25	Piston guider
26	Chief valve assy
27	O-ring
28	Piston assy
29	Bypass valve
30	O-ring
31	Water inlet hose
32	Mirco swith



Number	Name
1	Machine housing kit
2	Water inlet tube sheath
3	Inlet water nut ass'y
4	Accessories holder
5	Fix-pin
6	Warning label
7	Rating label
8	Handle
9	Waterproof cap
10	Switch box kit
11	Filter net for switch
12	Decorative penal for switch
13	Foodboard
14	Power cord holder
15	Fan cover
16	Capacitor box
17	Capacitor
18	Capacitor sheath
19	Waterproof ring
20	Motor-pump kit (AL)
21	Motor holder
22	Buffer
23	Water outlet tube sheath
24	Decorative sheet
25	Clip
26	Power cord ass'y
27	YLH6510.111.12.0500
28	YLG07 Gun

Number	Name
29	YLG07 lance
30	Middle lance
31	Pin
32	ST screw M6x16
33	ST screw 3.5x13F
34	ST screw 4.8x16