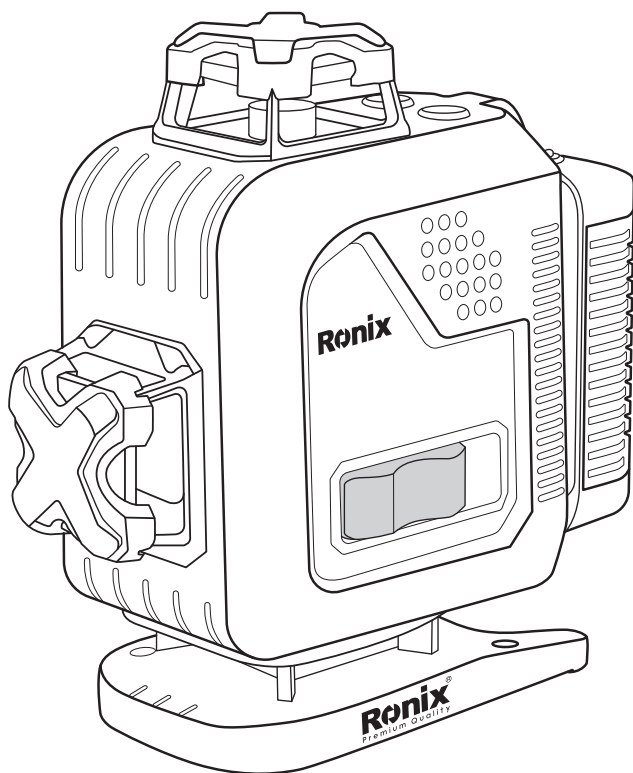


# Ronix®

Premium Quality

## MULTIFUNCTIONAL 4D LASER LEVEL RH-9540G



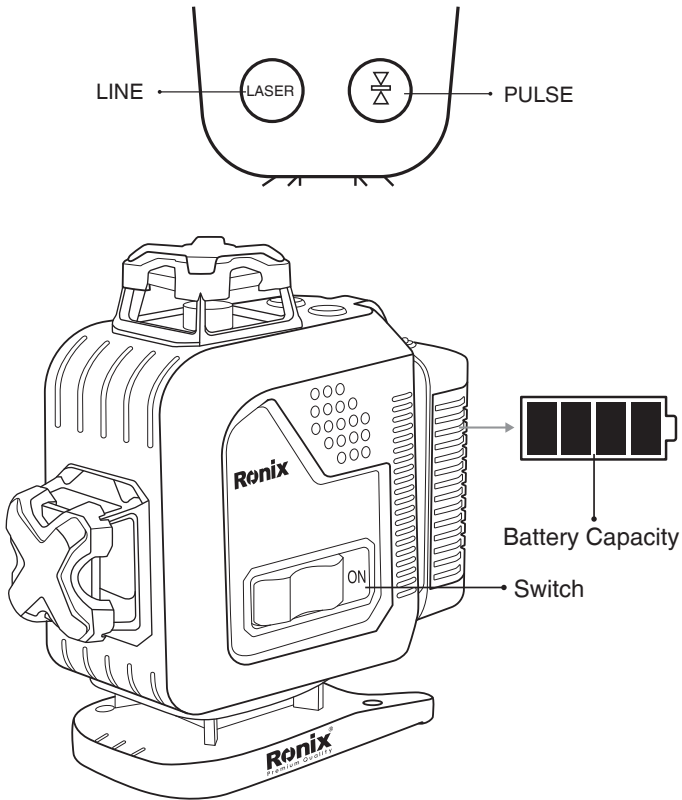
[www.ronixtools.com](http://www.ronixtools.com)



## SPECIFICATION

Model	<b>RH-9540G</b>
Accuracy of V&H line	±2mm/5m
Leveling method	Gravity pendulum
Leveling range	±3°
Min distance of bottom H to the grand	13mm
Working range / With detector	15m(indoor)-60m (Working with laser receiver)
Tripod thread	1/4 " at metal base
Laser type	515nm,30mw/laser class II
Resistance to	Water and Dust (IP54)
Operating temperature	-10°C to 40°C
Storage temperature	-15°C to 50°C
Laser width	3mm @ 10m
Dimension	147mmx91mmx147mm
Continuous Working Time (All Diodes)	≥ 6hour
Power supply	Li-ion battery 5200mAh 3.7V
Remote function	Yes
Remote distance	20m
Gross Weight	4.23Kg
Net. Weight	626gr
Supplied in	Tool carry case
Includes	Laser, Remote, Charger, Wall Mount: FRS1100, Hang Adapter, Laser Goggle, Laser Plate, Battery

## BASIC FUNCTION



### ■ SWITCH ON/OFF

When it is on, the pendulum of laser is unlocked, laser is under the status of self leveling. When it is off, the pendulum is locked and there has no line comes out.

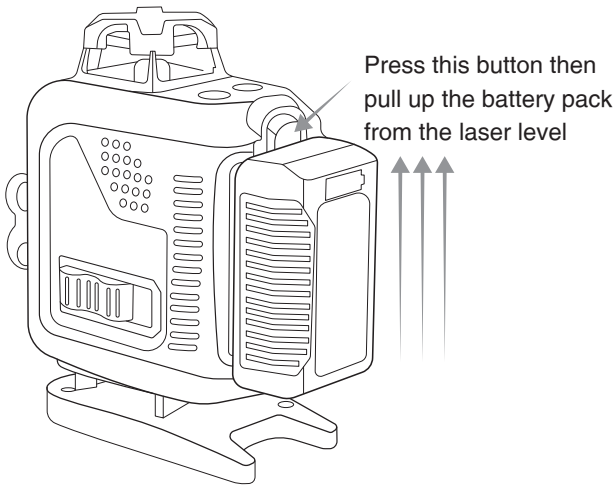
Manual lines/slope function: When switch is off, by pressing “Laser” key for 3s, laser enter into slope function, at this status, the pendulum is locked and laser line will flash per every 4.5 second to alert user that lines are out of accuracy.

## ■ PULSE

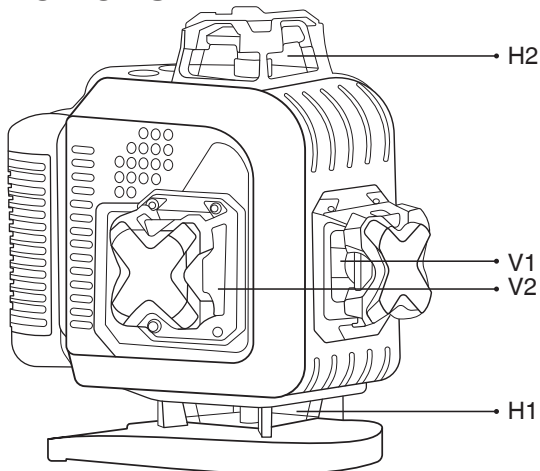
Whatever laser at self-leveling or slope mode, laser will enter into pulse mode after pressing “Pulse” key.

## BATTERY PACK REMOVE

Press battery release button at the laser and push the battery upward to remove it from the laser.



## OTHER FUNCTIONS




1- After laser is on, H1 will be on. By pressing “Laser”key, lines of the laser will be on and off under below sequence:

H1→V1→V1+V2→H1+V1+V2→H2+V1+V2→ H1+H2+V1+V2

Afterward will like circulation.

2- When laser is out of leveling, all lasers which are on will blink quickly as a warn.

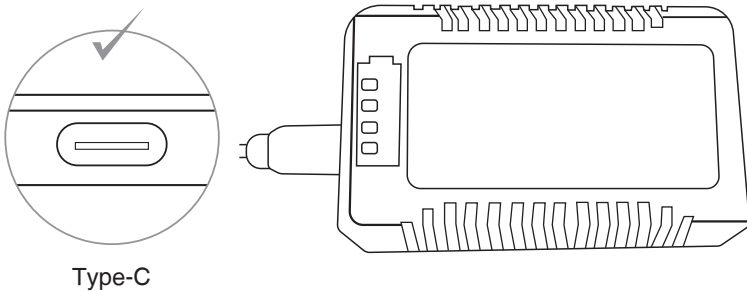
3- Laser is equipped with 3.7V 5200mAh Li-ion battery. There has a battery capacity LED at the battery pack. 

It is blue color LEDs and count from left to right the battery capacity displays as 25%-50%-75%-100%. When battery drops to 25% when the only led at the left side is on. and it will start to blink when the battery capacity drops to 5%, it stands for the battery pack is need to be replaced.

4- Charging:

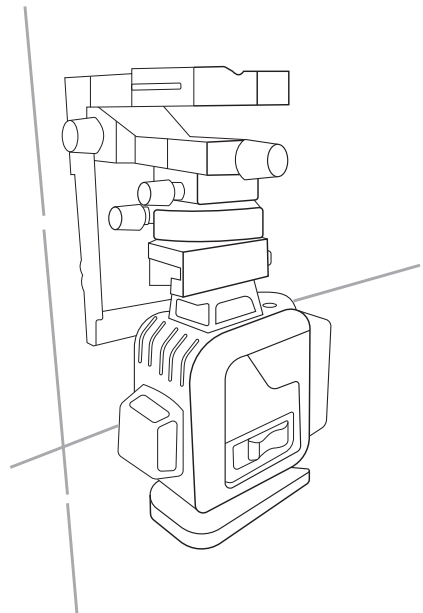
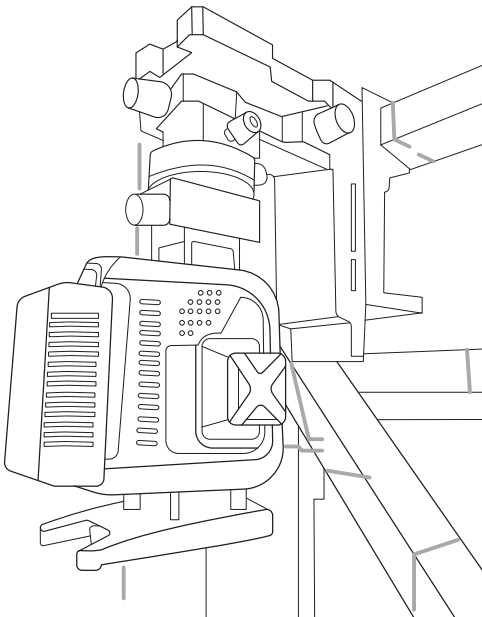
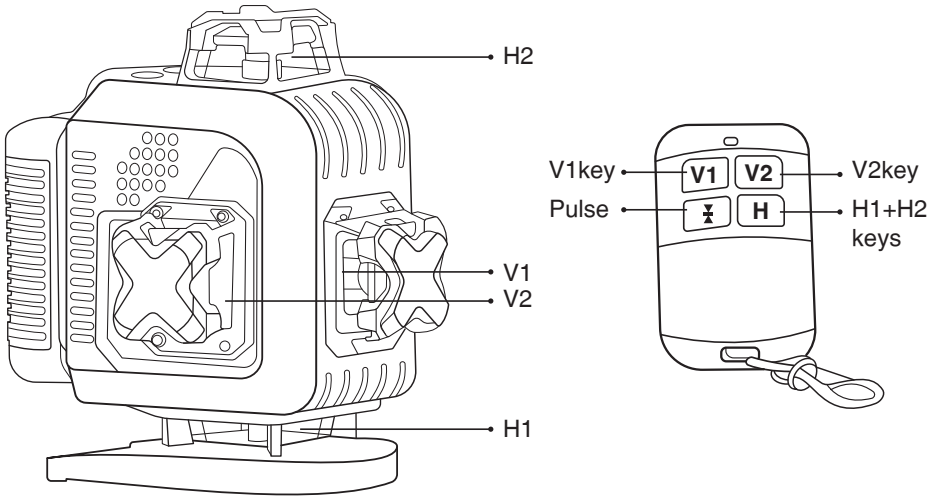
We use 5V2A power adapter to charge the battery.

There will have a cable with Type-C plug. 4 x LED will be lighted sequentially from left to right when the charging under processing. When the battery is full charged, all LED will be on continuously.



## OPTIONAL ACCESSORY

Remote Control: Available remote distance 20m.



**⚠ CAUTION LI- ION BATTERY:**

- Make sure keep the laser off if no operation within a long time.
- When battery's led turns out less quantity, the battery is required to be charged.
- Be care do not drop the Li-ion battery. Do not throw it into the fire.
- Make sure to always let battery have power. (Do not only charge the battery when it goes flat). As it will damage the battery when it has no power but user try to switch on the laser.
- Don't place the battery pack upside down during charging.







[www.ronixtools.com](http://www.ronixtools.com)