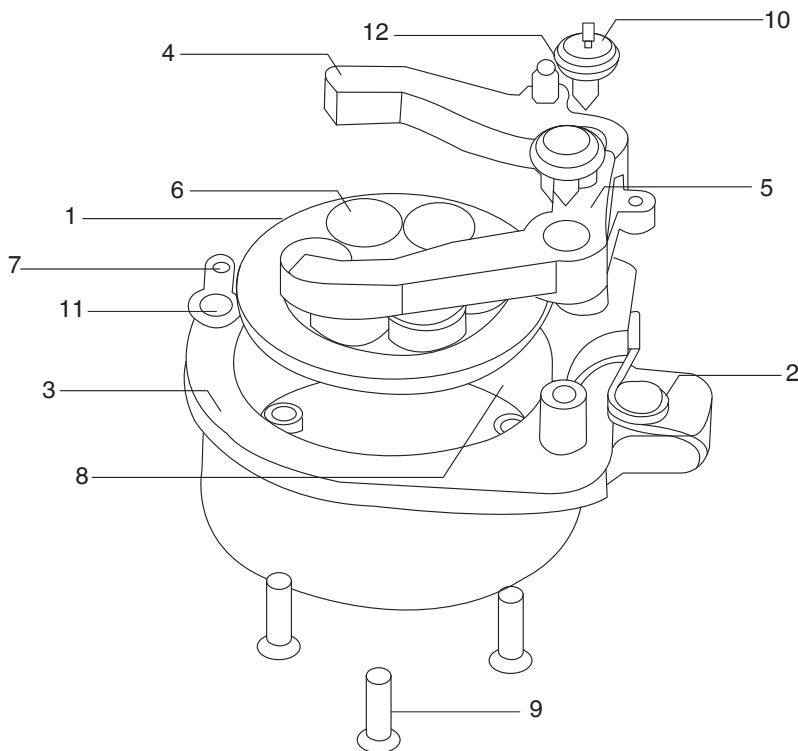
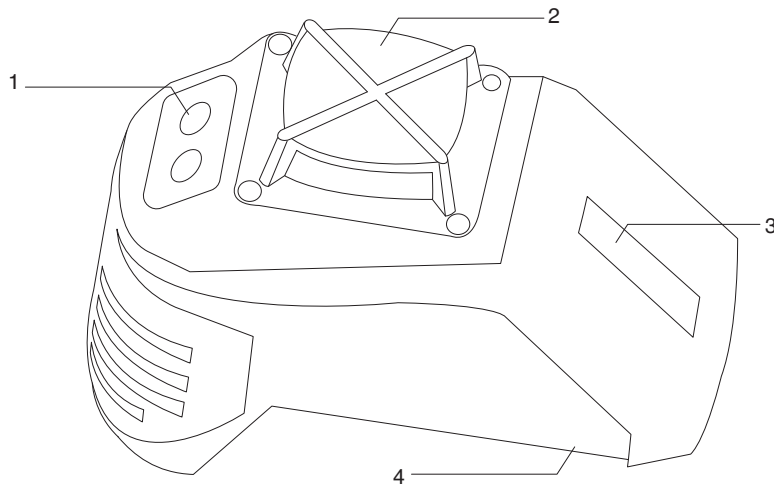


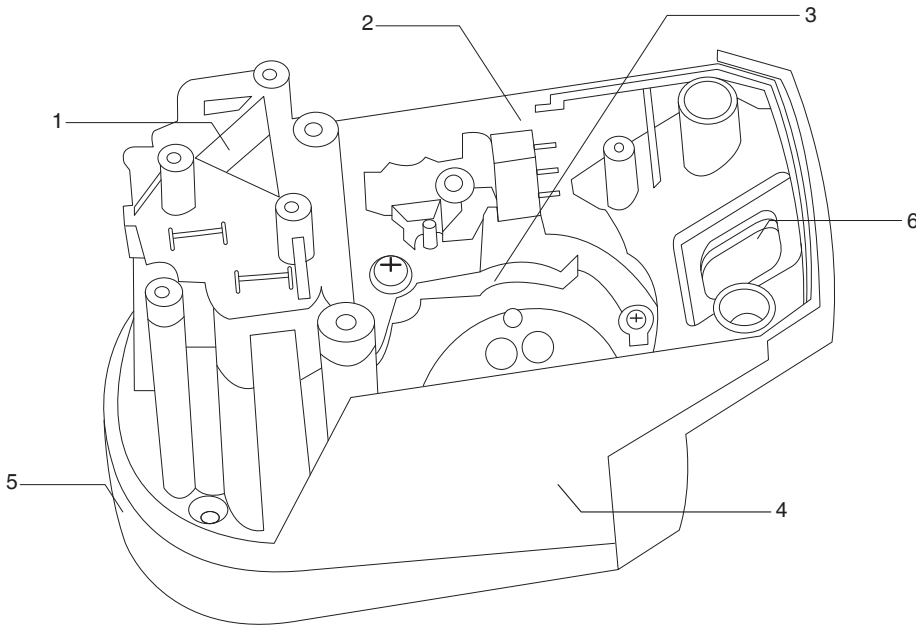
Number	Name
1	H-diode
2	keypad board
3	Main board
4	Outer ring
5	Inner ring
6	Press ring
7	Pendulum
8	Weight balance pole
9	V-diode
10	Dot-diode
11	O-shape rubber ring
12	Conductive ring



Number	Name
1	Magnetic base
2	Spring
3	Magnets holder
4	Left lock arm
5	Right lock arm
6	Magnets
7	Solder sheet
8	Conductive tape
9	Base fix screw
10	Lock arm fix screw
11	Warning gasket fix screw
12	gasket



Number	Name
1	Keypad panel
2	Window frame
	Glass
3	Seal ring
	Vertical window
4	Main housing sheet



Number	Name
1	Fix base
2	Battery spring
	Fix board
3	Slide bar
	Switch
4	LOCK+MAGNITS SET
5	Base part
	Battery cover
	Fix board at battery cover
	Battery spring C
6	Warning label
	Down dot protection glass
7	3000 PCS

