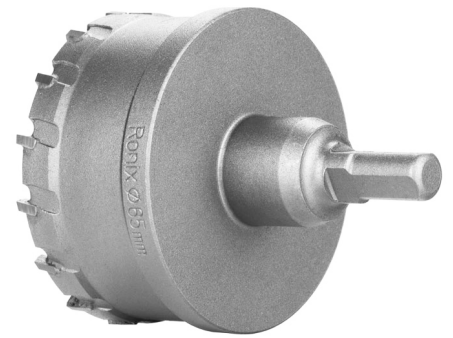


TCT Hole Saw
65mm

RH-5203

- High Grade Tungsten carbide teeth
- High strength and durability
- Includes hex wrench for assembling process
- Ideal For cutting height for wood, chipboard & MDF
- Accurate & precision cutting in laminated boards-Strong Central Spring for high performance in different Jobs



Model	RH-5203
Size	65mm
Weight	466g
Tip Material	Tungsten Carbide
Body Material	45#Carbon Steel
Supplied In	Ronix Plastic Box

