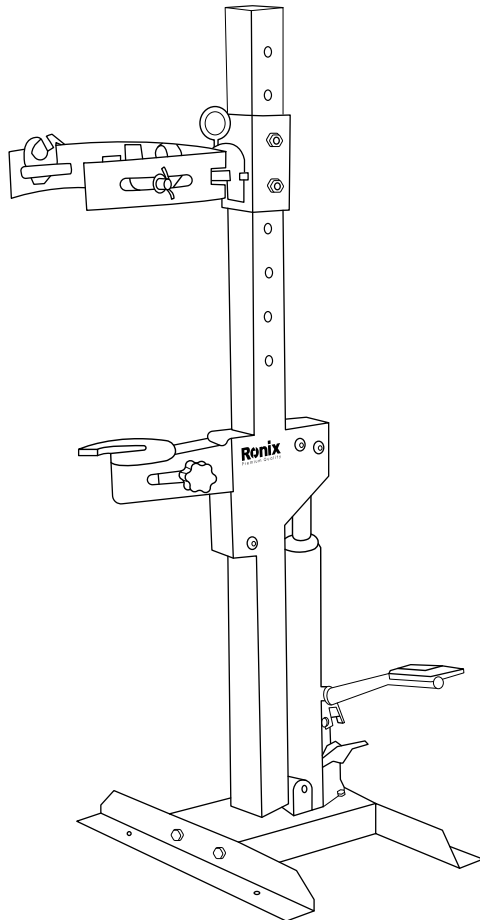


# Ronix<sup>®</sup>

Premium Quality

## HYDRAULIC SPRING COMPRESSOR 1T RH-4953

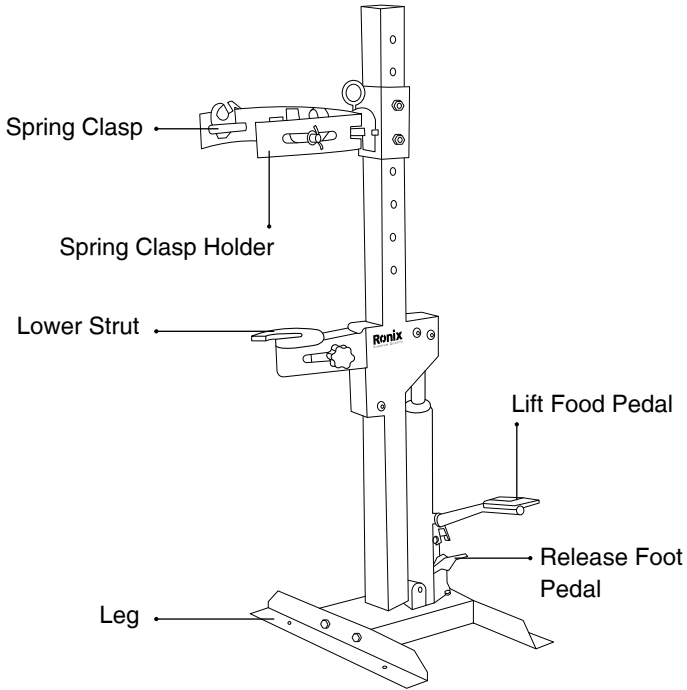




## TECHNICAL SPECIFICATION

Model	<b>RH-4953</b>
Load Capacity	1 Ton (1000Kg)
Spring Size	101.6-254mm
Max Working Length	500mm
Stroke	325mm
Adjustment Height Level	7×60mm
Net Weight	31Kg
Gross Weight	36Kg
Include	No accessories
Supplied In	Wooden case

## PART LIST



<b>WARNING SYMBOLS AND DEFINITIONS</b>	
	This is the safety alert symbol. It is used to alert you to potential personal injury hazards. Obey all safety messages that follow this symbol to avoid possible injury or death.
<b>DANGER!</b>	Indicates a hazardous situation which, if not avoided, will result in death or serious injury.
<b>WARNING!</b>	Indicates a hazardous situation which, if not avoided, could result in death or serious injury.
<b>CAUTION!</b>	Indicates a hazardous situation which, if not avoided, could result in minor or moderate injury.
<b>NOTICE / CAUTION</b>	Addresses practices not related to personal injury.

## IMPORTANT SAFETY INFORMATION

### **WARNING**

Read all safety warnings and instructions. Failure to heed these markings may result in personal injury and/or property damage.

Save all warnings and instructions for future reference.

The warnings, precautions, and instructions discussed in this manual cannot cover all possible conditions and situations that may occur. It must be understood by the operator that common sense and caution are factors which cannot be built into this product, but must be supplied by the operator.

### **■WORK AREA**

1- keep the work area clean and well lighted. Cluttered benches and dark areas increase the risk of injury to persons.

2- Keep bystanders and children away while operating the tool. Distractions can result in loss of control of the tool.

### **■PERSONAL SAFETY**

1- Stay alert. Watch what you are doing and use common sense when operating the tool. Do not use the tool while tired or under the influence of drugs, alcohol, or medication. A moment of inattention while operating the tool increases the risk of injury to persons.

2- Dress properly. Do not wear loose clothing or jewelry. Contain long hair. Keep hair, clothing, and gloves away from moving parts. Loose clothes, jewelry, or long hair increase the risk of injury to persons as a result of being caught in moving parts.

3- Do not overreach. Keep proper footing and balance at all times. Proper footing and balance enable better control of the tool in unexpected situations.

4- Use safety equipment. Wear safety goggles and heavy-duty work gloves during use.

### **■TOOL USE AND CARE**

1- Do not force the tool. Use the correct tool for the application. The correct tool will do the job better and safer at the rate for which the tool is designed.

2- Store the tool when it is idle out or reach of children and other untrained

persons. A tool is dangerous in the hands of untrained users.

3- check for misalignment or binding of moving parts, breakage of parts, and any other condition that affects the tool's operation. If damaged, have the tool serviced before using. Many accidents are caused by poorly maintained tools.

4- Use only accessories that are identified by the manufacturer for the specific tool model. Use of an accessory not intended for use with the specific tool model, increases the risk injury to persons.

5- Avoid off-center loads. If the pump seems unusually hard to operate, immediately stop. Adjust the Ram to eliminate or diminish an off-center load.

5- Avoid off-center loads. If the pump seems unusually hard to operate, immediately stop. Adjust the Ram to eliminate or diminish an off-center load.

6- Protect the Hose. Do not drop heavy objects on the Hose. Maintain proper clearance to avoid damage to the Hose and Couplers.

7- Inspect repair before using vehicle. Repairs to structural or frame members must be inspected by a qualified technician to ensure that the structure is still strong enough to safely fulfill its function.

## **SAVE THESE INSTRUCTIONS**

### **■SERVICE**

- 1- Tool service must be performed only by qualified repair personnel.
- 2- When servicing a tool, use only identical replacement parts. Use only authorized parts.
- 3- Use only the lubricants supplied with the tool or specified by the manufacturer.

### **■SPECIFIC SAFETY RULES**

- 1- Use for intended purpose (s) only.
- 2- Inspect before use; do not use if parts are loose or damaged.
- 3- Strut and Spring Compression station should be securely bolted to the workshop floor before use.
- 4- Apply grease to the front and rear faces of the main Upright to assist the smooth sliding of upper and lower strut support Rollers.
- 5- DO NOT operate Spring Compressor if parts are damaged or missing

as this may cause failure and/or personal injury.

6- Before compressing, make visual inspection of machine to ensure pins are securely positioned and that there is no sign of wear or fatigue. If found, do not use the unit until it is replaced or repaired by a qualified technician.

7- Ensure upper and lower Shoes, Strut Supports and their Retaining Pins are properly positioned. Their R-Clips and Circlips must be properly installed.

8- Before commencing compression of a spring, ensure ends of the spring are seated and being held securely in upper and lower Shoes of the compressor and cannot slide out during compression.

9- Always fit the Safety Chain around strut and spring. Ensure Chain is not trapped in the coils of the spring being compressed.

10- When compressing the spring, always stand to one side of the unit.

 **DANGER!**

- Stop compressing the spring before the coils touch. Do not over compress.

11- Before attempting to remove top cap nut, always use some type of tool or short stick to test if the compression has been relieved, DO NOT use your fingers.

12- Once compressed and strut is removed, it is a good idea to release the tension on the spring.

13- Do not leave the spring under compression in the machine unattended and do not leave in compression for prolonged periods, i.e., overnight.

14- Before releasing the compression, ensure that the top cap nut is securely fastened according to the manufacturer's specs.

15- Release the compression slowly, keeping your hands and fingers away from the spring assembly.

16- Be sure the tension on the spring is fully held by the strut assembly before removing the strut from the Shoes of the compressor.

17- Maintain labels and nameplates on the Spring Compressor. These carry important safety information. If unreadable or missing, contact service center for a replacement.

18- The warnings, precautions, and instructions discussed in this instruction manual cannot cover all possible conditions and situations that may occur. It must be understood by the operator that common sense and caution are factors which cannot be built into this product, but

must be supplied by the operator.

## **OPERATING INSTRUCTIONS**

read the ENTIRE IMPRTANT SAFETY INFORMATION section at the beginning of this manual including all text under subheadings therein before set up or use of this product.

1- Lower the ram to its lowest position by Pressing and holding down pedal C.Hing the upper brackets back.

2- Slide the strut of the spring assembly into The lower bracket and clamp using the facility provided and knob F. Do not overtighten - it should be firm only.

3- Position the Upper Bracket so that the Two clamps A fit snugly and squarely Around the spring coils, as near to the top of the assembly as possible.

It may be necessary to remove the two bolts Securing the upper bracket assembly E, and Slide the bracket up or down by the appropriate amount in order to locate the clamps a correctly. Ensure the bolts E are tightened before proceeding.Sufficient adjustment to the upper bracket

Components is provided, in all directions, in order to ensure the clamps, sit squarely and snugly on the spring coils. Ensure all wing nuts and adjusters are finger tight only ... DO NOT fully tighten.

4- Once secured, pump the lever D, until pressure on the shock absorber securing nut G is completely relieved, detected when the nut turns easily.

### **WARNING!**

- DO NOT undo the nut until this Condition exists.

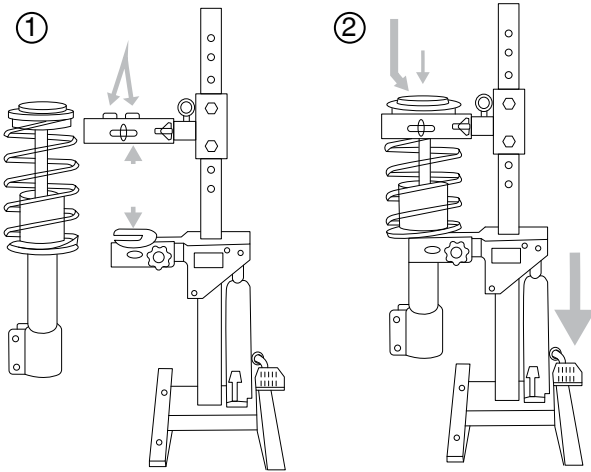
5- with the nut removed, pull off the top plate.

6- With the top plate removed, carefully and gently press lever C to allow the spring to fully reassert. When all pressure on the spring is relieved, undo all upper bracket constraints and remove the spring.

7- Support the shock absorber whilst undoing the lower bracket constraint using knob F. the shock absorber may then be withdrawn.

8- reassembly is in reverse order





## TROUBLE SHOOTING

### **!** TO PREVENT SERIOUS INJURY:

Use caution when troubleshooting a malfunctioning jack. completely resolve all problems before use. If the solutions presented in the Troubleshooting guide do not solve the problem, have a qualified technician inspect and repair the jack before use.

<b>Problem</b>	<b>Possible Cause</b>	<b>Solution</b>
Jack does not operate when handle is pumped	Release valve not tightly closed	Firmly close the release valve
	The steel ball is immersed inside for too long time  Air in the Jack	Please follow the steps: 1. Open the release valve by turning it counter-clockwise, pump up the handle 15-10 times. 2. Close the release valve by turning it clockwise, pump up the handle 10-5 times 3. Repeat step 1 and 2 for about 3 times
Jack will not hold load	Release valve not tightly closed	Please follow the steps: 1- Open the release valve by turning it counter-clockwise, pump up the handle 15-10 times 2- Close the release valve by turning it clockwise, pump up the handle 10-5 times 3-Repeat the step 1 and 2
	Malfunction in jack such as dirt inside valve mechanism	
Jack reluctant to lower when load removed	Oil reservoir overfilled	Drain oil to correct level
	Piston binding	Clean and lubricate moving parts
	Overextend the Jack	Replace jack
Jack will not extend to full range of stroke	Low oil level	Add hydraulic oil to the jack





[www.ronixtools.com](http://www.ronixtools.com)