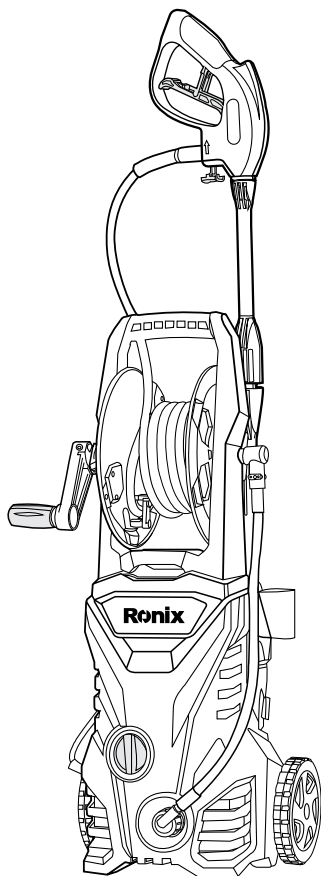


Ronix[®]

Premium Quality

HIGH PRESSURE WASHER RP-U141



www.ronixtools.com

12
MONTHS
GUARANTY

FREE
DELIVERY

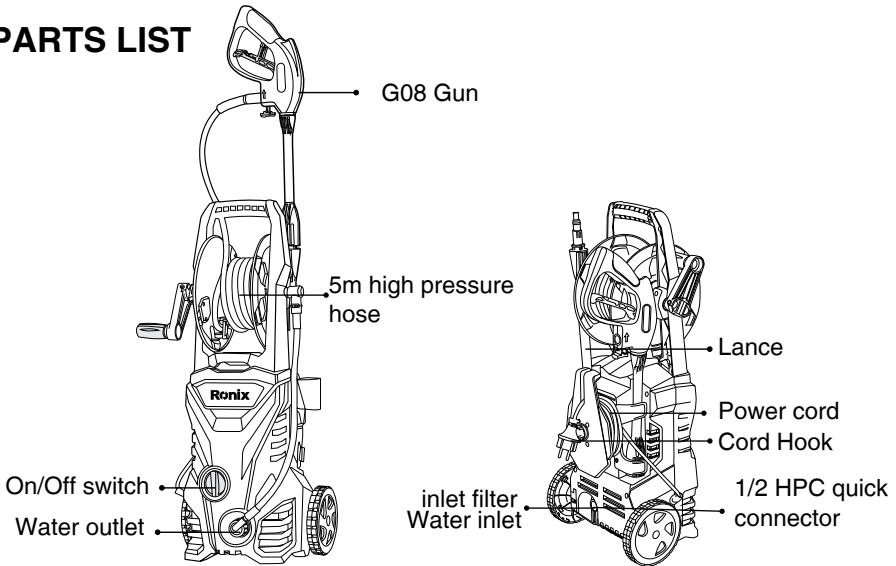
BANK
SPARE PARTS

CALL
CENTER
02161904

SPECIFICATIONS

Model	RP-U141
Power	1650W
Voltage	230V
Frequency	50Hz
Degree of Protection	IPX5
Max. Pressure	140Bar
Max. Flow	5.0 L/MIN
Water Temperature Rate	≤40°C
Max. inlet Pressure	4bar
Sound Pressure Level / Uncertainty	87±3 dB(A)
Sound power level	93±3 dB(A)
Vibration Value	2.6±1.5 m/s ²
Protection Class	II
Weight	7.4 kg

PARTS LIST



■ PURPOSE

- The high pressure cleaner is designed to clean vehicles, machines, buildings, facades, etc.
- In the private sector.

■ AREAS OF APPLICATION

- Never use the machine in potentially explosive areas under any circumstances.
- The operating temperature must be between 0 and +40°C
- The machine consists of an assembly with a pump, which is encased in a shock absorbing housing. For an optimal working position the machine comes with a lance and a non-slip Handle grip. Whose shape and configuration comply with the appliance regulations.
- Do not cover or modify the lance or the spray nozzles in any way.
- The high pressure cleaner is designed to be used with cold or lukewarm (max.40°C) water; higher temperatures can damage the pump.
- Do not use water that is dirty, gritty or contains any chemical products, as these could impair operation and shorten the life of the machine.
- Accessories can be used to carry out work with foam cleaners, sand spraying.

IMPORTANT:

This machine is not suitable for connection to the potable water mains.

IMPORTANT SAFETY INSTRUCTIONS

WARNING!

This appliance is not intended for use by children or other persons without assistance or supervision if their physical, sensory or mental capabilities prevent them from using it safely. Before starting up your machine please check it carefully for any defects. If you find any, do not start up your machine and contact your distributor.

■ ESPECIALLY CHECK

The insulation of the power cord should be faultless and without any cracks. If the power cord is damaged, an authorized distributor should replace it.

WARNING!

- Do not use this appliance without reading this instruction sheets.
- The electric supply connection shall be made by a qualified electrician and comply with IEC60364-1.
- The electric supply to this appliance should include either a residual current device that will interrupt the supply if the leakage current to earth exceeds 30Ma for 30ms or device that will interrupt the earth circuit.

WARNING!

This appliance has been designed for use with the cleaning agent supplied or recommended by the manufacturer. The use of other cleaning agents or chemical may adversely affect the safety of the appliance.

WARNING!

Do not use the appliance within range of person unless they wear protective clothing.

WARNING!

- High pressure jets can be dangerous if subject to misuse. The jet must not be directed at persons, live electrical equipment or the appliance itself.
- do not direct the jet against yourself or others in order to clean clothes or foot-wear,
- risk of explosion – do not spray flammable liquids.
- disconnect from the electrical power supply before carrying out user maintenance.
- high pressure cleaners shall not be used by children or untrained personnel.
- to ensure appliance safety, use only original spare parts from the manufacturer or approved by the manufacturer.

⚠ WARNING!

Water that has flown through backflow preventers is considered to be non-potable.

⚠ WARNING!

The machine shall be disconnected from its power source during cleaning or maintenance and when replacing parts for mains operated machines by removing the plug from the socket-outlet.

⚠ WARNING!

High pressure hoses, fittings and couplings are important for safety of the appliance. Use only hoses, fitting and couplings recommended by the manufacturer.

- do not use the appliance if a supply cord or important parts of the appliance are damaged, e.g. Safety devices, high pressure hoses, trigger gun.

⚠ WARNING!

If an extension cord is used, the plug and socket must be of watertight construction.

⚠ WARNING!

Inadequate extension cords can be dangerous.

This high pressure washer must not be used at temperatures below 0°C.

⚠ WARNING!

- Cord on drums should always be completely un-winded to prevent the cord from overheating.

- If an extension cord is used, the plug and socket must be of watertight construction.

- Inadequate extension cords can be dangerous.

- Power cord connections should be kept dry and off the ground.

- if the power cord is damaged, it must be replaced by the manufacturer or

his service agent or similarly qualified person in order to avoid a hazard.

- Keep the machine on a stable and flat surface during operation, handling, transportation and strong. sudden overturn of machine will cause injury to body.

In the event of accident or breakdown, switch off the machine immediately.

(e.g. contact with detergent: rinse with an abundance of clean water)

ATTENTION:

Through poor conditions of the electrical MAINS, shortly voltage drops can appear when starting the EQUIPMENT. this can influence other equipment (e.g. Blinking of a lamp). If the MAINS-IMPEDANCE $Z_{max} < 0.335 \text{ OMH}$, such disturbances are not expected. (in case of need, you may contact your local supply authority for further information.)

WARNING!

ELECTRICAL SHOCK HAZARD

Improper connection of the equipment –grounding conductor can result in a risk of electrical shock. Check with a qualified electrician or service person if you are unsure if an outlet is properly grounded. **DO NOT** modify the plug provided with the appliance to fit an outlet, have a proper outlet installed by a qualified electrician.

IMPOTANT:

Only use water without any impurities. If there is a risk of running sands in the inlet water (i.e. from your own well), an additional filter should be mounted.

- Safety devices

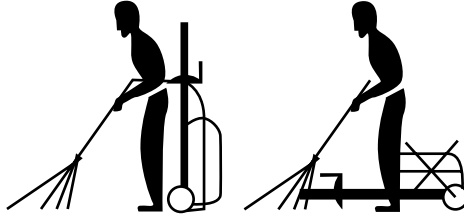
- The unloader valve can reduce pressure if it exceeds pre-set values. the spray gun features a locking device. When the pawl is activated, the spray gun cannot be operated.

- Thermal sensor

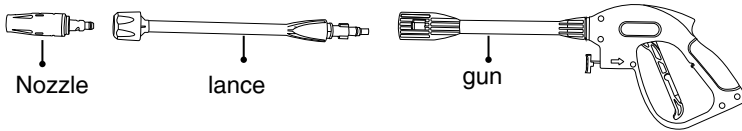
A thermal sensor protects the motor against overloading. Machine will restart after a few minutes when the thermal sensor has cooled.

ASSEMBLY

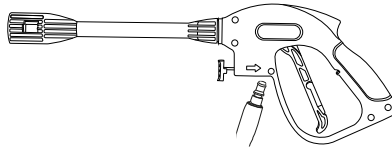
-Position the washer as NEAR as possible to the water supply.
The washer must be used standing on a secure, stable, positioned as shown.



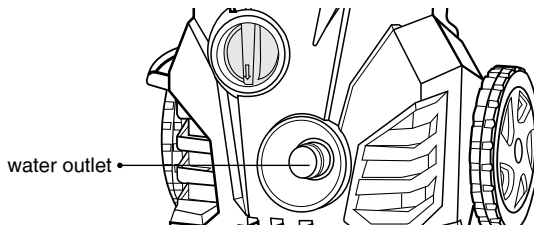
- Fit the lance into the gun and rotate it until the two parts are completely locked.



- Connect the gun to high pressure hose.



- Connect the high pressure hose to the water outlet on the washer.



- Connect the water supply hose to female coupler. Then connect to the water inlet of the washer. The supply hose must have an internal diameter of at least 13mm (1/2 in) and must be reinforced. the water supply must be at least equal to the washer delivery capacity.

OPERATION

- Turn on the water supply tap fully.
- Release the safety lock then press the trigger for a few seconds to allow air to escape and discharge residual pressure in the hose.
- Keeping the trigger pressed push the switch to start the motor.
- When re-starting the motor, always keep the trigger pressed.

▲ NOTE:

THE MOTOR ONLY RUNS WHEN THE TRIGGER IS OPERATED.

CORRECT USE OF STANDARD ACCESSORIES

- The washer is equipped with adjustable nozzle.
- Jet adjustment from pencil to fan.



▲ WARNING!

DO NOT ADJUST THE NOZZLE WHILE THE TRIGGER IS SQUEEZED.

RECOMMENDED CLEANING PROCEDURE

- Dissolve dirt by applying detergent with the fan jet to the dry surface. on vertical surfaces, work from the bottom upwards. leave the detergent to act for 1 to 2 minutes, but do not allow to dry out. Apply the high from the surface, working from the bottom upwards.
- Avoid allowing the rinsing water to run on to unwanted surfaces.

STORAGE

- Switch off the washer.
- Turn off the water supply tap.
- After use, the detergent residuals should be removed from the tank.
- Discharge residual pressure by pressing the trigger until no more water comes out of the lance nozzle.
- Engage the gun safety lock.
- Remove the plug from the socket.
- Operate the washer with non-corrosive /non-toxic antifreeze before storing for the winter.

WARNING!

BEFORE REUSING, COMPLETELY FLUSH THE UNIT OUT WITH PLAIN WATER. ANTI-FREEZE CAN DAMAGE PAINTWORK SO YOU MUST ENSURE THERE IS NO ANTI-FREEZE LEFT IN THE SYSTEM BEFORE USING IT AGAIN.

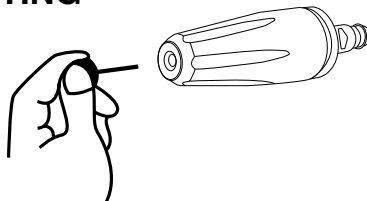
MAINTENANCE

CAUTION:

Before working on the washer, disconnect the plug from the power supply socket.

- to ensure good performance. check and clean the suction and detergent filters after every 50 hours of operation.
- clean the nozzle with tool provided. remove the lance from the gun, remove any dirt from the nozzle hole and rinse.

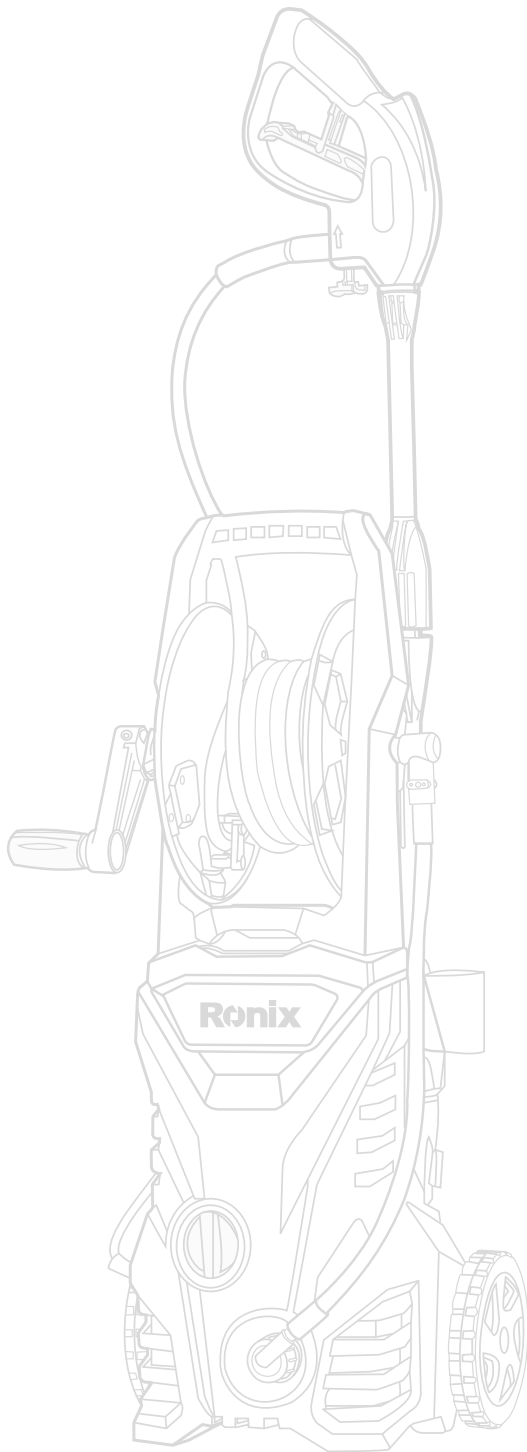
TROUBLESHOOTING



Disconnect from the electrical power supply before carrying out user maintenance or checking is correct functioning. To avoid unnecessary disappointments, you should check the following before contacting the service organization.

Symptom	Cause	Recommended Action
Machine refuses to start	Machine not plugged in defective socket fuse has blown defective extension cord	Plug in machine try another socket replace fuse. switch off other machines. Try without the extension cord.
Fluctuating pressure	Pump sucking air valves dirty worn out or stuck pump seals worn out.	Check that hoses an the connections are airtight. Clean and replace or refer to local distributor Clean and replace or refer to local distributor
Machine stop	Fuse has blown incorrect mains voltage Thermal sensor activated nozzle partially blocked	Replace fuse. switch off other machines. Check that the mains voltage corresponds to specification on the model tag. Leave the washer for 5 minutes to cool down. clean the nozzle
Fuse blows	Fuse to small	Change to an installation higher than the amp. consumption of the machine.you may try without the extension cord.
Machine pulsating	Air in inlet hose Inadequate supply of mains water Nozzle partially blocked Water filter blocked hose kinked	Allow machine to run with open trigger until regular working pressure resumes. Check that the water supply corresponds to specifications required NB! Avoid using long, thin hoses (min. 1/2") Clean the nozzle Clean the filter Straighten out hose
Machin often starts and stops by itself	Pump/spray gun is leaking center.	Contact your nearest service

Machine starts , but no water comes out	Pump/hoses or accessory frozen no water supply water filter blocked	Wait for pump/hoses or accessory to thaw. Connect inlet water. Clean the filter
	Nozzle blocked	Clean the nozzle



Ronix[®]
Premium Quality

www.ronixtools.com