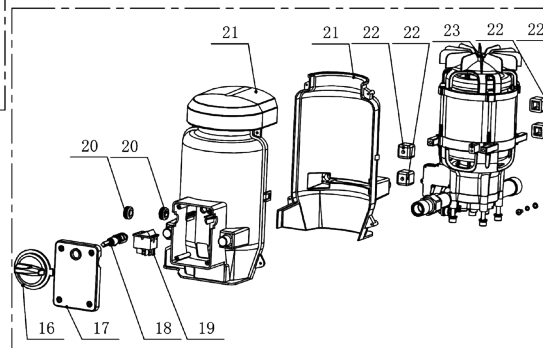
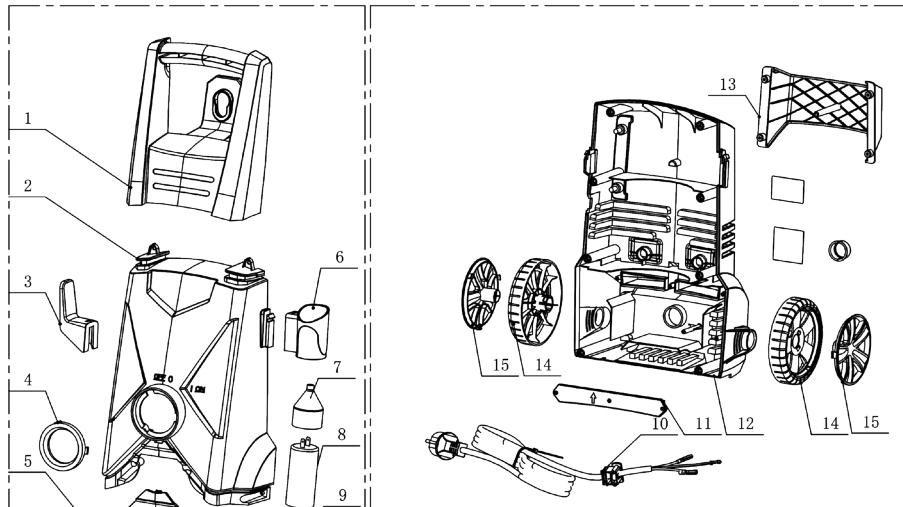
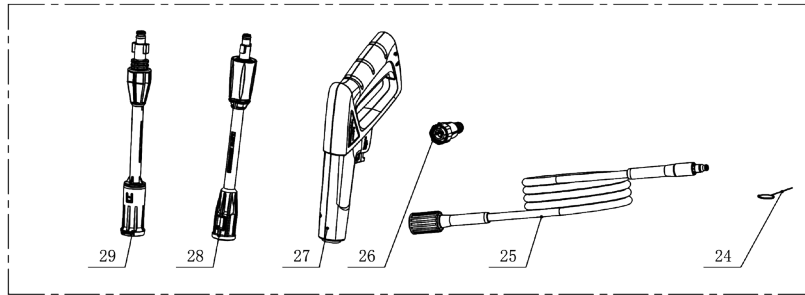


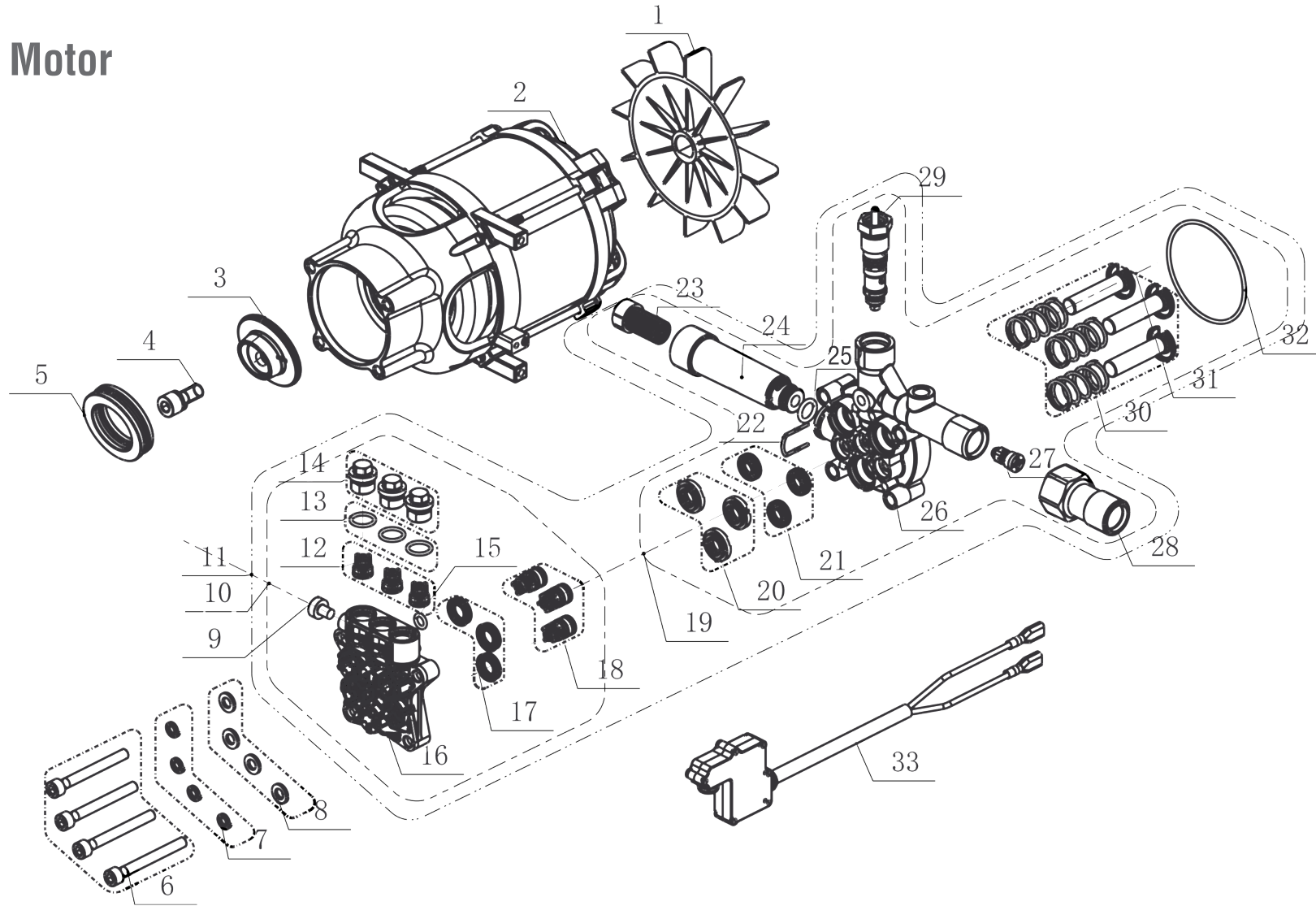
**Housing**



Number	Name
1	Handle
2	Front housing
3	Cable hook
4	Switch decorate plate
5	Water outlet decorate plate
6	Gun holder(black)
7	Capacitor cover
8	Capacitor
9	Capacitor board
10	Power cord
11	Water proof board
12	Back housing (black)
13	Acc.holder (black)
14	Wheel
15	Wheel cover
16	Switch button
17	Switch box
18	Switch pole
19	Switch
20	Wire sealing
21	Fan cover & housing
22	Damping ring
23	Motor pump kit
24	Pin
25	High pressure hose
26	Water inlet screw
27	YLG05 gun
28	N/A
29	YLG05A lance

Number	Name
30-optional	YLG05 foam bottle
31-optional	1/2 quick connector
32-optional	YLG05 turbo lance

**Motor**



**POWER TOOLS**

Number	Name
1	Fan
2	Induction motor
3	Wobble disc
4	ST screw M8x20
5	Thrust ball bearing
6	St screw M6x55
7	Spring washer c6-ROHS
8	Plain washer
9	ST screw M6x8
10	Pump head kit
11	Pump kit
12	Check valve assy
13	O-ring 9.8x1.9
14	Check valve nut
15	O-ring 6x2
16	Pump head
17	Y-seal-10x16x4
18	Inlet valve assy
19	Piston guider assy
20	Sealing base
21	Piston guider assy
22	U-pin
23	Water inlet filter
24	Inlet pipe
25	O-ring 9.5x2.5
26	Piston guider
27	Chief valve assy
28	Extend tube
29	Bypass valve assy
30	Piston spring
31	Piston assy
32	O-ring 60x2.1