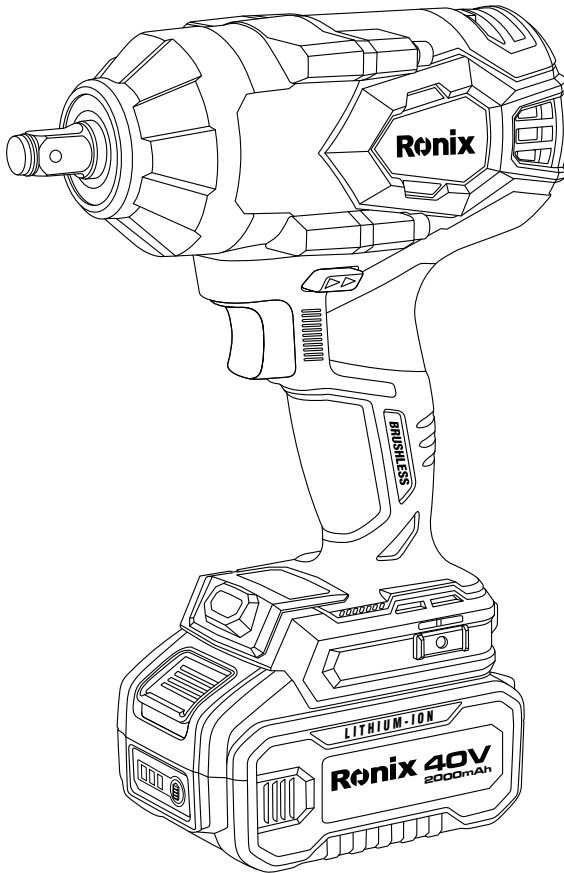


# Ronix<sup>®</sup>

Premium Quality

## 40V BRUSHLESS CORDLESS IMPACT WRENCH KIT 1350 N.M - 3/4 INCH 8927-40V



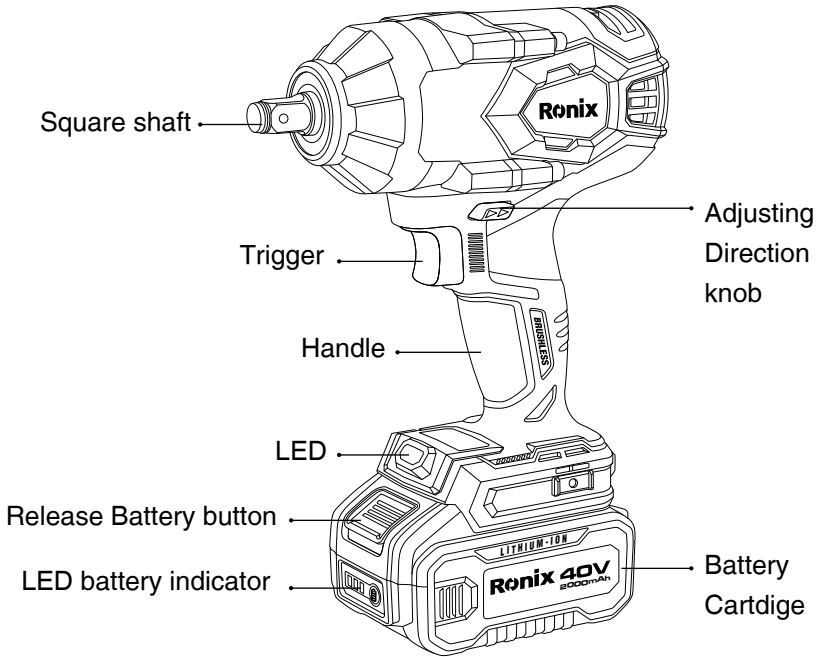
[www.ronixtools.com](http://www.ronixtools.com)



## TECHNICAL SPECIFICATION

Model	<b>8927-40V</b>
Battery Type	Lithium-ion
Battery Voltage	40V
Driving Shank	3/4" Square
No-load Speed	0-1200 RPM 0-1500 RPM 0-1800 RPM
Impact Rate	0-1600 BPM 0-2000 BPM 0-2400 BPM
Max Torque	1350N·m
Standard Bolt	M14-M30
High Tensile Bolt	M12-M24
Body Material	Nylon(PA6+GF30)
Weight	3.31Kg(with 1pc Battery)
Packaging	BMC
Accessories	2pcs Battery Packs 1pc Charger

## PART LIST



### **⚠ WARNING:**

Read all safety warnings and all instructions. Failure to follow the warnings and instructions may result in electric shock and/or injury. Save all warnings and instructions for future reference.

The term "power tool" in the warnings refers to your mains operated (corded) power tool or battery operated (cordless) power tool.

### **■ WORK AREA SAFETY**

- Keep work area clean and well lit. Cluttered or dark areas invite accidents.
- Do not operate power tools in explosive atmospheres, such as in the presence of flammable liquids, gases or dust. Power tools create sparks which may ignite the dust or fumes.

- Keep children and bystanders away while operating a power tool. Distractions can cause you to lose control.

### ■ ELECTRICAL SAFETY

- Avoid body contact with earthed or grounded surfaces such as pipes, radiators, ranges and refrigerators. There is an increased risk of electric shock if your body is earthed or grounded.
- Do not expose power tools to rain or wet conditions. Water entering a power tool will increase the risk of electric shock.
- If operating a Power tool in a damp location is unavoidable, use a ground fault circuit. Interrupter (GFCI) protected supply. Use of a GFCI reduces the risk of electric shock.

### ■ PERSONAL SAFETY

- Stay alert, watch what you are doing and use common sense when operating a power tool. Do not use a power tool while you are tired or under the influence of drugs, alcohol or medication. A moment of inattention while operating power tools may result in serious personal injury.
- Use personal protective equipment. Always wear eye protection. Protective equipment such as dust mask, non-skid safety shoes, hard hat, or hearing protection used for appropriate conditions will reduce personal injuries.
- Prevent unintentional starting. Ensure the switch is in the off position before connecting to power source and/or battery pack, picking up or carrying the tool. Carrying power tools with your finger on the switch or energizing power tools that have the switch on invites accidents.
- Dress properly. Do not wear loose clothing or jewelry. Keep your hair, clothing, and gloves away from moving parts. Loose clothes, jewelry or long hair can be caught in moving parts.
- Remove any adjusting key or wrench before turning the power tool on. A wrench or a key left attached to a rotating part of the power tool may result in personal injury.

- If devices are provided for the connection of dust extraction and collection facilities, ensure these are connected and properly used. Use of dust collection can reduce dust-related hazards.
- Do not let familiarity gained from frequent use of tools allow you to become complacent and ignore tool safety principles. A careless action can cause severe injury within a fraction of a second.

## **■ POWER TOOL USE AND CARE**

- Do not force the power tool. Use the correct power tool for your application. The correct power tool will do the job better and safer at the rate for which it was designed.
- Do not use the power tool if the switch does not turn it on and off. Any power tool that cannot be controlled with the switch is dangerous and must be repaired.
- Disconnect the plug from the power source and/or the battery pack from the power tool before making any adjustments, changing accessories, or storing power tools. Such preventive safety measures reduce the risk of starting the power tool accidentally.
- Store idle power tools out of the reach of children and do not allow persons unfamiliar with the power tool or these instructions to operate the power tool. Power tools are dangerous in the hands of untrained users.
- Maintain power tools and accessories. Check for misalignment or binding of moving parts, breakage of parts and any other condition that may affect the power tool's operation. If damaged, have the power tool repaired before use. Many accidents are caused by poorly maintained power tools.
- Keep cutting tools sharp and clean. Properly maintained cutting tools with sharp cutting edges are less likely to bind and are easier to control.
- Keep handles and grasping surfaces dry, clean and free from oil and grease. Slippery handles and grasping surfaces do not allow for safe handling and control of the tool in unexpected situations.

## ■ BATTERY TOOL USE AND CARE

- Ensure the switch is in the off position before inserting the battery pack. Insert the battery pack into power tools that have the switch on invites accidents.
- Recharge only with the charger specified by the manufacturer. A charger that is suitable for one type of battery pack may create a risk of fire when used with another battery pack.
- Use power tools only with specifically designated battery packs. Use of any other battery packs may create a risk of injury and fire.
- When battery pack is not in use, keep it away from other metal objects, like paper clips, coins, keys, nails, screws or other small metal objects that can make a connection from one terminal to another. Shorting the battery terminals together may cause burns or a fire.
- Under abusive conditions, liquid may be ejected from the battery; avoid contact. If contact accidentally occurs, flush with water. If liquid contacts eyes, additionally seek medical help. Liquid ejected from the battery may cause irritation or burns.
- Do not expose a battery pack or tool to fire or excessive temperature. Expose to fire or temperature above 265 F° (130 C°) may cause explosion.
- Follow all instructions and do not charge the battery pack or tool outside the temperature range specified in the instructions. Charging improperly or at temperatures outside the specified range may damage the battery and increase the risk of fire.

## ■ SERVICE

Have your power tool service by qualified repair person using only identical replacement parts. This will ensure that the safety of the power tool is maintained.

Never service damaged battery packs. Service of battery packs should only be performed by the manufacturer or authorized service providers.

## **SPECIFIC SAFETY RULES FOR IMPACT WRENCHES**

Hold power tool by insulated gripping surfaces, when performing an operation where the fastener may contact hidden wiring. Fasteners contacting a “live” wire may make exposed metal parts of the power tool “live” and could give the operator an electric shock.

Wear ear protectors when impact drilling. Exposure to noise can cause hearing loss.

Use only sockets and other accessories specifically designed for use on impact wrenches and drivers. Other sockets and accessories might shatter or break causing injury.

Maintain labels and nameplates. These carry important information. If unreadable or missing, contact a MANUFACTURER service facility for a free replacement.

### **WARNING:**

Some dust created by power sanding, sawing, grinding, drilling, and other construction activities contains chemicals known to cause cancer, birth defects or other reproductive harm. Some examples of these chemicals are:

- lead from lead-based paint
- crystalline silica from bricks and cement and other masonry products, and...
- arsenic and chromium from chemically treated lumber.

Your risk from these exposures varies, depending on how often you do this type of work. To reduce your exposure to these chemicals: work in a well-ventilated area, and work with approved safety equipment, such as those dust masks that are specially designed to filter out microscopic particles.



## ASSEMBLY

### **WARNING:**

Recharge only with the charger specified for the battery. For specific charging instructions, read the operator's manual supplied with your charger and battery.

### ■ **REMOVING/INSERTING THE BATTERY**

To remove the battery, push in the release buttons and pull the battery pack away from the tool.

### **WARNING:**

Always remove battery pack before changing or removing accessories. To insert the battery, slide the pack into the body of the tool. Make sure it latches securely into place.

### **WARNING:**

Only use accessories specifically recommended for this tool. Others may be hazardous.

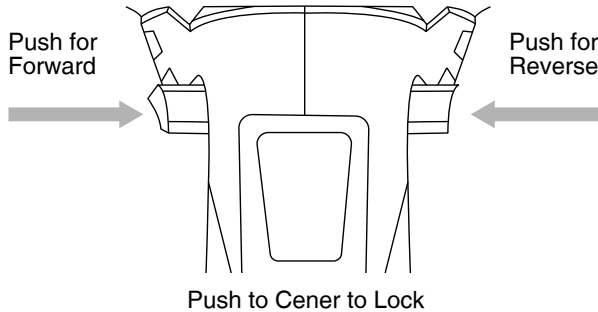
## OPERATION

### **WARNING:**

Always remove battery pack before changing or removing accessories. Only use accessories specifically recommended for this tool. Others may be hazardous. To reduce the risk of injury, wear safety goggles or glasses with side shields.


### ■ **USING THE CONTROL SWITCH**



The control switch may be set to three positions: forward, reverse and lock. Due to a lockout mechanism, the control switch can only be adjusted when the ON/OFF switch is not pressed. Always allow the motor to come to a complete stop before using the control switch.

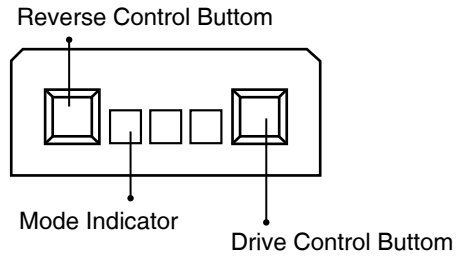


- 1- For forward (clockwise) rotation, push the control switch in the direction shown. Check the direction of rotation before use.
- 2- For reverse (counterclockwise) rotation, push the control switch in the direction shown. Check the direction of rotation before use.
- 3- To lock the trigger, push the control switch to the center position. The trigger will not work when the control switch is in the locked position. Always remove the battery pack before performing maintenance or changing accessories. Always lock the trigger or remove the battery pack before storing the tool and any time the tool is not in use.

## ■ USING THE DRIVE CONTROL

The  button is used to adjust the torque, rotation speed (RPM), and impact speed (BPM) for the application. To select the drive control mode:

- 1- Push the control switch for forward (clockwise) rotation.
- 2- Pull and release the trigger to turn on the tool. The current mode indicator is lit.
- 3- Press  button to cycle through the 3 modes(speeds). When the desired mode indicator is lit, begin work.
- 4- Press  reverse button to cycle between two modes (reverse auto stop/reverse).



In mode (red light is on), when run in reverse, the tool will spin at the above RPM and BPM until the nut breaks free from the joint. Then, the tool stop working. If you want to keep removing the nut from the bolt, press button, the red light is off, the tool will continue spinning at the above RPM and BPM until you release the trigger.

### ■ **STARTING, STOPPING AND CONTROLLING SPEED**

These tools may be operated at any speed from 0 to full speed.

1- To start the tool, pull the trigger.

#### **! NOTE:**

An LED is turned on when the trigger is pulled.

2- To vary the driving speed, increase or decrease pressure on the trigger. The further the trigger is pulled, the greater the speed.

3- To stop the tool, release the trigger.

### ■ **IMPACTING TECHNIQUES**

The longer a bolt, screw, or nut is impacted, the tighter it will become. To help prevent damaging the fasteners or workpieces, avoid excessive impacting.

Be particularly careful when impacting smaller fasteners because they require less impacting to reach optimum torque.

Practice with various fasteners, noting the length of time required to reach the desired torque. Check the tightness with a hand-torque wrench. If the fasteners are too tight, reduce the impacting time. If they

are not tight enough, increase the impacting time.

Oil, dirt, rust or other matter on the threads or under the head of the fastener affects the degree of tightness. The torque required to loosen a fastener average 75% to 80% of the tightening torque, depending on the condition of the contacting surfaces. On light gasket jobs, run each fastener down to a relatively light torque and use a hand torque wrench for final tightening.

## MAINTENANCE

### **WARNING:**

To reduce the risk of injury, always unplug the charger and remove the battery pack from the charger or tool before performing any maintenance. Never disassemble the tool, battery pack or charger.

### **WARNING:**

To reduce the risk of personal injury and damage, never immerse your tool, battery pack or charger in liquid or allow a liquid to flow inside them.

### ■ **CLEANING**

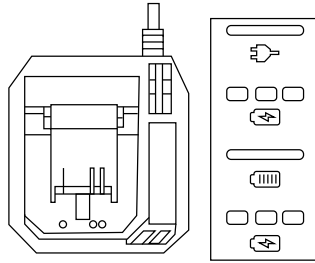
Clean dust and debris from vents. Keep handles clean, dry and free of oil or grease. Use only mild soap and a damp cloth to clean, since certain cleaning agents and solvents are harmful to plastics and other insulated parts. Some of these include gasoline, turpentine, lacquer thinner, paint thinner, chlorinated cleaning solvents, ammonia and household detergents containing ammonia. Never use flammable or combustible solvents around tools.

## CHARGING A BATTERY

### **WARNING:**

Place the battery pack and charger on a flat non-flammable surface and away from flammable material when re charging the battery pack.

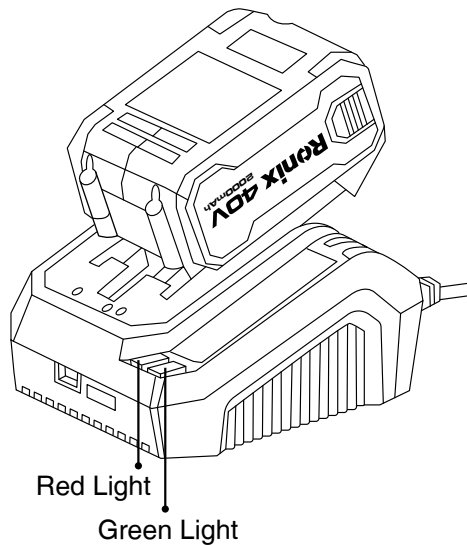
1- Insert the plug on the charging unit into a power socket and turn the power on if required.



2- The charging output interface insert battery of charging port.

**! NOTE:**

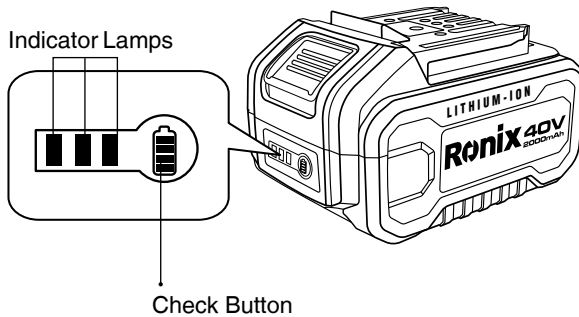
The battery will require 1 hours charging time after normal use. If the battery voltage  $\leq 14.5V$  it will enter into pre charging mode, in which the internal current of the charger is reduced.



Charger Operating Mode	Red Light	Green Light
Standby Mode	ON	OFF
Charging Mode	OFF	Flashing 1Hz
Charging Ending Mode	OFF	ON
Preparatory Charging Mode	OFF	Flashing 1Hz
Battery Failure	Flashing 2Hz	OFF
Over Temperature Fault	Flashing 1Hz	OFF

**! NOTE:**

Press the check button on the battery cartridge to indicate the remaining battery capacity. The indicator lamps light up for a few seconds.



Indicator lamps		Remaining Capacity
<div style="display: inline-block; width: 10px; height: 10px; background-color: black; margin-right: 5px;"></div> Lighted	<div style="display: inline-block; width: 10px; height: 10px; border: 1px solid black; margin-right: 5px;"></div> OFF	
<div style="display: inline-block; width: 10px; height: 10px; background-color: black; margin-right: 5px;"></div> <div style="display: inline-block; width: 10px; height: 10px; background-color: black; margin-right: 5px;"></div> <div style="display: inline-block; width: 10px; height: 10px; background-color: black;"></div>		66% to 100%
<div style="display: inline-block; width: 10px; height: 10px; background-color: black; margin-right: 5px;"></div> <div style="display: inline-block; width: 10px; height: 10px; background-color: black; margin-right: 5px;"></div> <div style="display: inline-block; width: 10px; height: 10px; border: 1px solid black;"></div>		33% to 66%
<div style="display: inline-block; width: 10px; height: 10px; background-color: black; margin-right: 5px;"></div> <div style="display: inline-block; width: 10px; height: 10px; border: 1px solid black; margin-right: 5px;"></div> <div style="display: inline-block; width: 10px; height: 10px; border: 1px solid black;"></div>		0% to 33%





**Ronix GmbH**

Lyoner Str. 36

60528 Frankfurt am Main

Tel: +49 69 310 900 66

**[www.ronixtools.com](http://www.ronixtools.com)**