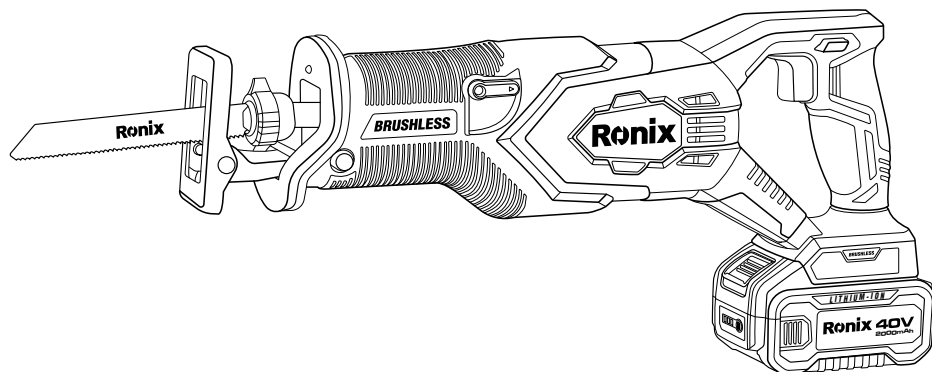


# Ronix<sup>®</sup>

Premium Quality

## 40V BRUSHLESS CORDLESS RECIPROCATING SAW KIT 8904-40V



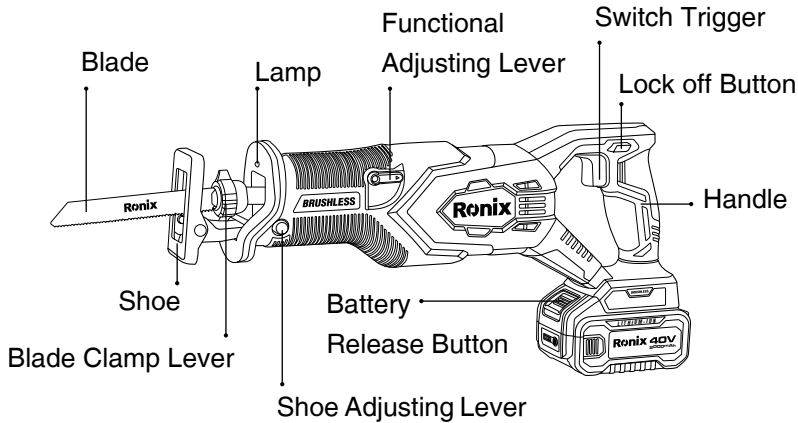
[www.ronixtools.com](http://www.ronixtools.com)



## SPECIFICATION

Model	<b>8904-40V</b>
Motor Type	Brushless
Battery Voltage	40V
Battery Chemistry	Lithium-ion
Battery Capacity	2000mAh
No-Load Speed	0-3000SPM
Cutting Depth	Wood: 150 mm Soft Metal: 10 mm
Weight	2.93Kg(With 1pc Battery)
Packaging	BMC
Accessories	2pcs Battery Packs 1pc Charger 1pc Metal Saw Blade 1pc Wood Saw Blade

## PARTS LIST



## INTENDED USE

The tool is intended for sawing wood, plastic and ferrous materials.

### ■ NOISE

The typical A-weighted noise level determined according to EN62841:

Sound pressure level (L<sub>pA</sub>) : 85.5 dB (A)

Sound power level (L<sub>WA</sub>) : 93.5 dB (A)

Uncertainty (K) : 5 dB(A)

### **! WARNING: WEAR EAR PROTECTION.**

### ■ VIBRATION

The vibration total value (tri-axial vector sum) determined according to EN62841:

Work mode: cutting boards.

Vibration emission (a<sub>h,B</sub>): 14.279 m/s<sup>2</sup>

Uncertainty (K): 1.5 m/s<sup>2</sup>

Work mode: cutting wooden beams

Vibration emission (a<sub>h,WB</sub>) 16.490 m/s<sup>2</sup>

Uncertainty (K) : 1.5 m/s<sup>2</sup>

** NOTE**

The declared vibration emission value has been measured in accordance with the standard test method and may be used for comparing one tool with another.

** WARNING**

The vibration emission during actual use of the power tool can differ from the declared emission value depending on the ways in which the tool is used.

** WARNING**

Be sure to identify safety measures to protect the operator that are based on an estimation of exposure in the actual conditions of use (taking account of all parts of the operating cycle such as the times when the tool is switched off and when it is running idle in addition to the trigger time)

## **GENERAL POWER TOOL SAFETY WARNINGS**

** WARNING**

Read all safety warnings and all instructions. Failure to follow the warnings and instructions may result in electric shock, and/or serious injury.

Save all warnings and instructions for future reference.

The term "power tool" in the warnings refers to your mains-operated (corded) power tool or battery-operated (cordless) power tool.

## **WORK AREA SAFETY**

1- Keep work area clean and well lit. Cluttered or dark areas invite accidents.

2- Do not operate power tools in explosive atmospheres, gases or dust. Power tools create sparks which may ignite the dust or fumes.

3- Keep children and bystanders away while operating a power tool. Distractions can cause you to lose control.

### ■ ELECTRICAL SAFETY

Power tool plugs must match the outlet. Never modify the plug in any way. Do not use any adapter plugs with earthed (grounded) power tools. plugs and matching outlets will reduce risk of electric shock.

### ■ PERSONAL SAFETY

1- Stay alert, watch what you are doing and use common sense when operating a power tool.

Do not use a power tool while you are tired or inattention. A moment of inattention while operating power tools may result in serious personal injury.

2- Use personal protective equipment. Always wear eye protection. Protective equipment such as dust mask, non-skid safety shoes, hard hat, or hearing protection used for appropriate conditions will reduce personal injuries.

3- Prevent unintentional starting. Ensure the switch is in the off-position before connecting to power source and/or battery pack, picking up or carrying the tool. Carrying power tools with your finger on the switch or energising power tools that have the switch on invites accidents.

4- Dress properly. Do not wear loose clothing or jewelry. Keep your hair, clothing, and gloves away from moving parts. Loose clothes, jewelry or long hair can be caught in moving parts.

5- Remove any adjusting key or wrench before turning the power tool on. A wrench or a key left attached to a rotating part of the power tool may result in personal injury.

6- Do not overreach. Keep proper footing and balance at all times. This enables better control of the power tool in unexpected situations.

7- If devices are provided for the connection of dust extraction and collection facilities, ensure these are connected and properly used. Use of dust collection can reduce dust-related hazards.

8- Do not let familiarity gained from frequent use of tools allow you to become complacent and ignore tool safety principles. A careless action can cause severe injury within a fraction of a second.

## **POWER TOOL USE AND CARE**

1- Do not force the power tool. Use the correct power tool for your application. The correct power tool will do the job better and safer at the rate for which it was designed.

2- Do not use the power tool if the switch does not turn it on and off. Any power tool that cannot be controlled with the switch is dangerous and must be repaired.

3- Disconnect the plug from the power source and/or the battery pack from the power tool before making any adjustments, changing accessories, or storing power tools. Such preventive safety measures reduce the risk of starting the power tool accidentally.

4- Store idle power tools out of the reach of children and do not allow persons unfamiliar with the power tool or these instructions to operate the power tool. Power tools are dangerous in the hands of untrained users.

5- Maintain power tools. Check for misalignment or binding of moving parts, breakage of parts and any other condition that may affect the power tool's operation. If damaged, have the power tool repaired before use. Many accidents are caused by poorly maintained power tools.

6- Keep cutting tools sharp and clean. Properly maintained cutting tools with sharp cutting edges are less likely to bind and are easier to control.

7- Keep handles and grasping surfaces dry, clean and free from oil and grease. Slippery handles and grasping surfaces do not allow for safe handling and control of the tool in unexpected situations.

### **■ BATTERY TOOL USE AND CARE**

Ensure the switch is in the off position before inserting the battery pack. Insert the battery pack into power tools that have the switch on invites

accidents.

Recharge only with the charger specified by the manufacturer. A charger that is suitable for one type of battery pack may create a risk of fire when used with another battery pack.

Use power tools only with specifically designated battery packs. Use of any other battery packs may create a risk of injury and fire.

When battery pack is not in use, keep it away from other metal objects, like paper clips, coins, keys, nails, screws or other small metal objects that can make a connection from one terminal to another. Shorting the battery terminals together may cause burns or a fire.

Under abusive conditions, liquid may be ejected from the battery; avoid contact. If contact accidentally occurs, flush with water. If liquid contacts eyes, additionally seek medical help. Liquid ejected from the battery may cause irritation or burns.

Do not expose a battery pack or tool to fire or excessive temperature. Expose to fire or temperature above 265°F (130°C) may cause explosion. Follow all instructions and do not charge the battery pack or tool outside the temperature range specified in the instructions. Charging improperly or at temperatures outside the specified range may damage the battery and increase the risk of fire.

## **SERVICE**

- 1- repair person using only identical replacement parts. This will ensure that the safety of the power tool is maintained.
- 2- Follow instruction for lubricating and changing accessories.
- 3- Keep handles dry, clean and free from oil and grease.

## **SAVE THESE INSTRUCTIONS**

### **WARNING!**

DO NOT let comfort or familiarity with product (gained from repeated use) replace strict adherence to safety rules for the subject product.



MISUSE or failure to follow the safety rules stated in this instruction manual may cause serious personal injury.

### ■ **IMPORTANT SAFETY INSTRUCTIONS FOR BATTERY CARTRIDGE**

1- Before using battery cartridge, read all instructions and cautionary markings on battery charger, battery, and product using battery.

2- Do not disassemble battery cartridge.

3- If operating time has become excessively shorter, stop operating immediately. It may result in a risk of overheating, possible burns and even an explosion.

4- If electrolyte gets into your eyes, rinse them out with clear water and seek medical attention right away. It may result in loss of your eyesight.

5- Do not short the battery cartridge:

(1) Do not touch the terminals with any conductive material.

(2) Avoid storing battery cartridge in a container with other metal objects such as nails, coins, etc.

(3) Do not expose battery cartridge to water or rain. A battery short can cause a large current breakdown.

6- Do not store the tool and battery cartridge in locations where the temperature may reach or exceed 50°C (122°F).

7- Do not incinerate the battery cartridge even if it is severely damaged or is completely worn out. The battery cartridge can explode in a fire.

8- Be careful not to drop or strike battery.

9- Do not use a damaged battery.

10- The contained lithium-ion batteries are subject to the Dangerous Goods Legislation requirements.

For commercial transports e.g. by third parties, forwarding agents, special requirement on packaging and labeling must be observed. For preparation of the item being shipped, consulting an expert for hazardous material is required.

Please also observe possibly more detailed national regulations.

Tape or mask off open contacts and pack up the battery in such a manner that it cannot move around in the packaging.

11- Follow your local regulations relating to disposal of battery.

### **■ TIPS FOR MAINTAINING MAXIMUM BATTERY LIFE**

1- Charge the battery cartridge before completely discharged. Always stop tool operation and charge the battery cartridge when you notice less tool power.

2- Never recharge a fully charged battery cartridge. Overcharging shortens the battery service life.

3- Charge the battery cartridge with room temperature at 10°C - 40°C (50°F - 104°F) Let a hot battery cartridge cool down before charging it.

4- Charge the battery cartridge if you do not use it for a long period (more than six months).

## **FUNCTIONAL DESCRIPTION**

### **CAUTION**

Always be sure that the tool is switched off and the battery cartridge is removed before adjusting or checking function on the tool.

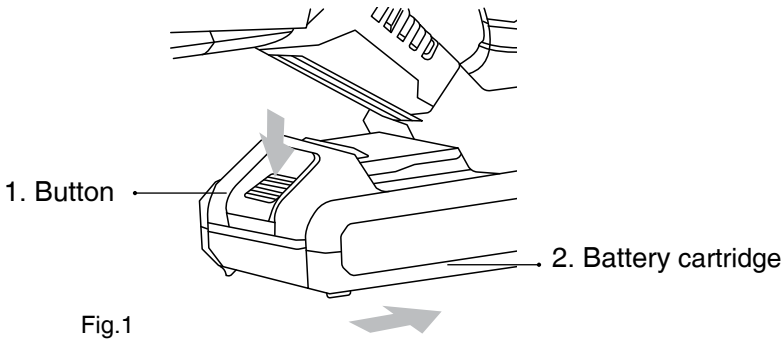
## **INSTALLING OR REMOVING BATTERY CARTRIDGE**

### **CAUTION**

Always switch off the tool before installing or removing of the battery cartridge.

### **CAUTION**

Hold the tool and the battery cartridge. Failure to hold the tool and the battery cartridge may cause them to slip off your hands and result in damage to the tool and battery cartridge and a personal injury.

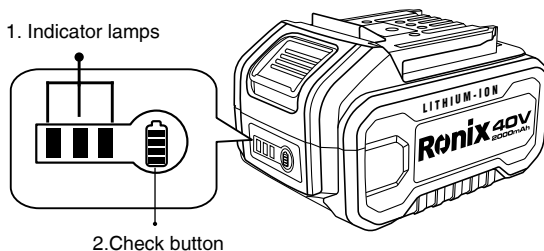


To remove the battery cartridge, slide it from the tool while sliding the button on the front of the cartridge. To install the battery cartridge, align the tongue on the battery cartridge with the groove in the housing and slip it into place. Insert it all the way until it locks in place with a little click.

### **! CAUTION**

Do not install the battery cartridge forcibly. If the cartridge does not slide in easily, it is not being inserted correctly.

## **INDICATING THE REMAINING BATTERY CAPACITY**



Press the check button on the battery cartridge to indicate the remaining battery capacity. The indicator lamps light up for a few seconds.

## SWITCH ACTION

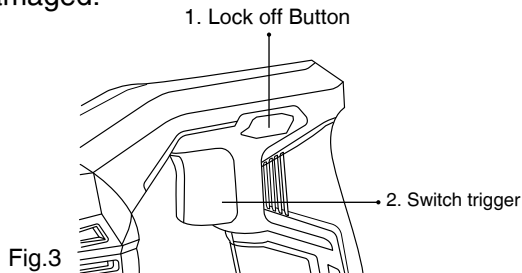
Indicator lamps		Remaining Capacity
Lighted	OFF	
■	□	66% to 100%
■ ■ ■		33% to 66%
■	□ □	0% to 33%

### CAUTION

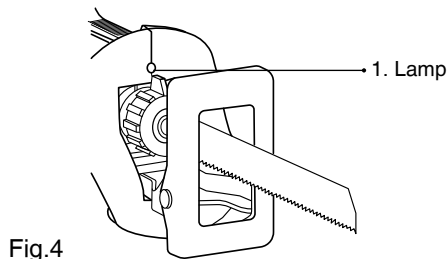
Before installing the battery cartridge into the tool, always check to see that the switch trigger actuates properly and returns to the "OFF" position when released.

### ■ NOTICE

Do not use the lock/speed change lever while the tool is running. The tool may be damaged.



## LIGHTING UP THE FRONT LAMP



**! CAUTION**

Do not look in the light or see the source of light directly. Pull the switch trigger to light up the lamp. The lamp keeps on lighting while the switch trigger is being pulled. The lamp goes out after releasing the switch trigger.

**! NOTE**

Use a dry cloth to wipe the dirt off the lens of the lamp. Be careful not to scratch the lens of lamp, or it may lower the illumination.

**ADJUSTING THE SHOE**

When the recipro saw blade loses its cutting in one place along its cutting edge, reposition the shoe to utilize a sharp, unused portion of its cutting edge. This will help to lengthen the life of the recipro saw blade. The position of the shoe can be adjusted in four levels. To reposition the shoe, open the shoe adjusting lever and select the suitable position, then close the shoe adjusting lever.

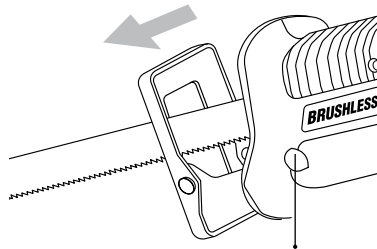


Fig.5

1. Shoe adjusting lever

**! NOTE**

The shoe cannot be adjusted without opening the shoe adjusting lever fully.

**ASSEMBLY****! CAUTION**

Always be sure that the tool is switched off and the battery cartridge is removed before carrying out any work on the tool.

## INSTALLING OR REMOVING THE RECIPRO SAW BLADE

### CAUTION

Always clean out all chips or foreign matter adhering to the blade and around the blade clamp. Failure to do so may cause tightening of the blade, resulting in a serious injury.

To install the reciprocating saw blade, always make sure that the blade clamp lever (part of the blade clamp sleeve) is in released position on the insulation cover before inserting the reciprocating saw blade. If the blade clamp lever is in position, rotate the blade clamp lever in the direction of the arrow so that it can be locked at the released position .

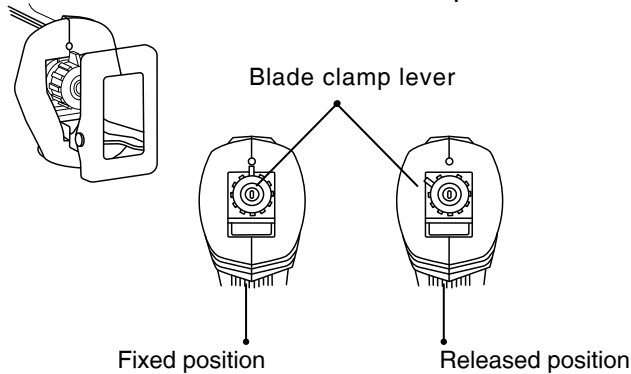


Fig.6

Insert the reciprocating saw blade into the blade clamp as far as it will go. The blade clamp sleeve rotates and the reciprocating saw blade. Make sure that the reciprocating saw blade cannot be extracted even though you try to pull it out.

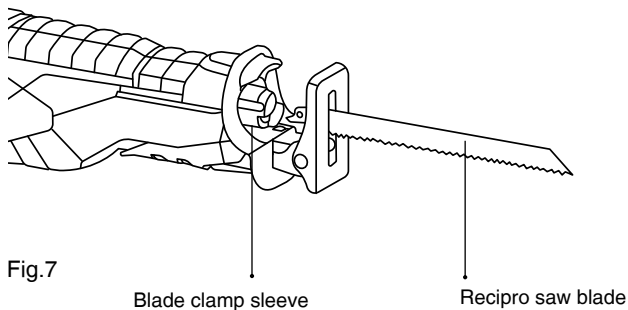


Fig.7

**! CAUTION**

If you do not insert the reciprocating saw blade deep enough, the reciprocating saw blade may be ejected unexpectedly during operation. This can be extremely dangerous.

To remove the reciprocating saw blade, rotate the blade clamp lever in the direction of the arrow fully. The reciprocating saw blade is removed and the blade clamp lever is at the released position .

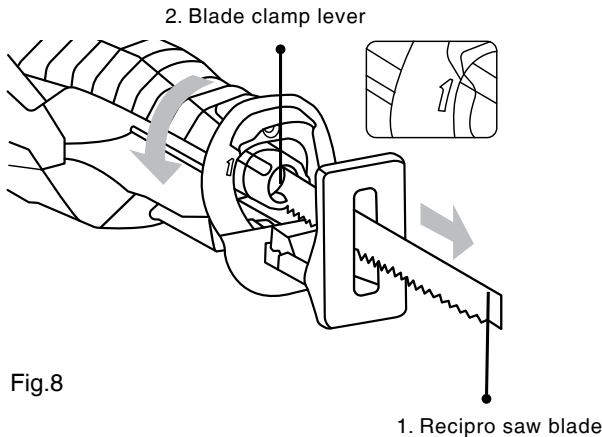


Fig.8

**! CAUTION**

Keep hands and fingers away from the lever during the switching operation. Failure to do so may cause personal injuries.

**! NOTE**

If you remove the reciprocating saw blade without rotating the blade clamp lever fully, the lever may not be locked in the released position . In this case, rotate the blade clamp lever fully again, then make sure that the blade clamp lever is locked at the released position.

**! NOTE**

If the blade clamp lever is positioned inside the tool, switch on the tool just a second to let the blade out as shown in the Remove the battery

cartridge from the tool before installing or removing the reciprocating saw blade.

## OPERATION

### **⚠ CAUTION**

against the workpiece during operation. If the shoe is removed or held away from the workpiece during operation, strong vibration and/or twisting will be produced, causing the blade to snap dangerously.

### **⚠ CAUTION**

Always wear gloves to protect your hands from hot flying chips when cutting metals.

### **⚠ CAUTION**

Be sure to always wear suitable eye protection which conforms with current national standards.

### **⚠ CAUTION**

Always use a suitable coolant (cutting oil) when cutting metal. Failure to do so will cause premature blade wear.

Press the shoe against the workpiece. Do not allow the tool to bounce. Bring the reciprocating saw blade into light contact with the workpiece. First, make a pilot groove using a slower speed. Then use a faster speed to continue cutting.

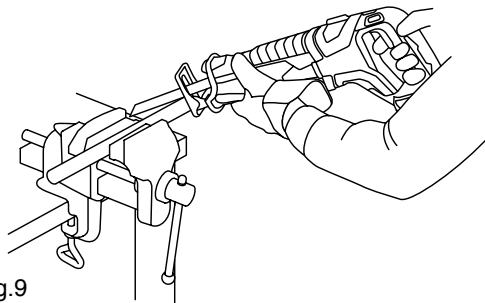


Fig.9







**Ronix GmbH**

Lyoner Str. 36

60528 Frankfurt am Main

Tel: +49 69 310 900 66

**[www.ronixtools.com](http://www.ronixtools.com)**