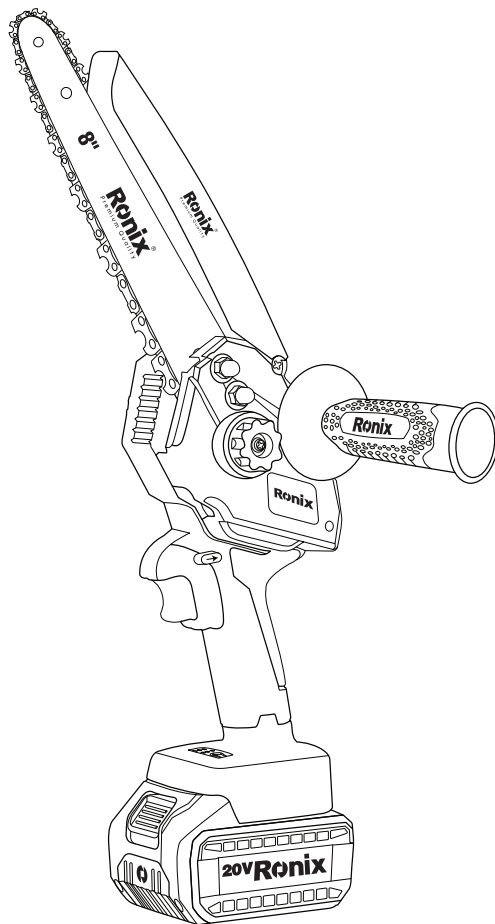


Ronix[®]

Premium Quality

BRUSHLESS CHAIN SAW 20V/8"

8658

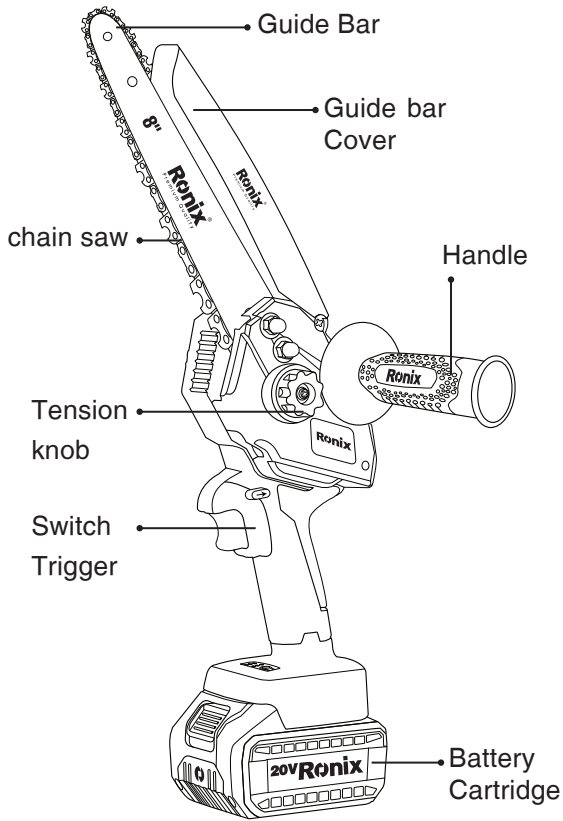


www.ronixtools.com

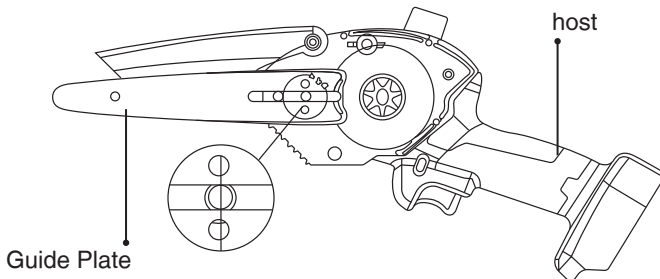
TECHNICAL SPECIFICATION

Model	8658
Voltage	20V
Battery Type	Lithium battery
Battery Capacity	2Ah
Maximum Cutting Diameter	140mm
Chain Size	290mm
Chain Bar Length	239mm
No-Load Speed	3800RPM
Chain Speed	5m/s
Oil Tank Capacity	25ml
Run Time	30min
Cuts Per Battery Charge (Cutting Diameter 110mm)	30Pcs
Charging Time	1hr
Net Weight	1.47Kg(machine with 1pc battery)
Total Weight	2.25Kg(machine with all accessories) BMC 0.9Kg
Supplied In	BMC
Include	2pcs battery, 1pc charger, 1pc handle 1pc wrench, 1pc bar cover

PARTS LIST

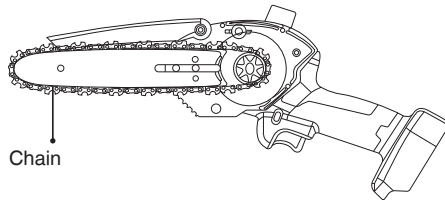


FUNCTION DESCRIPTION



Loosen the nut counterclockwise and remove the side cover

OPERATING INSTRUCTION

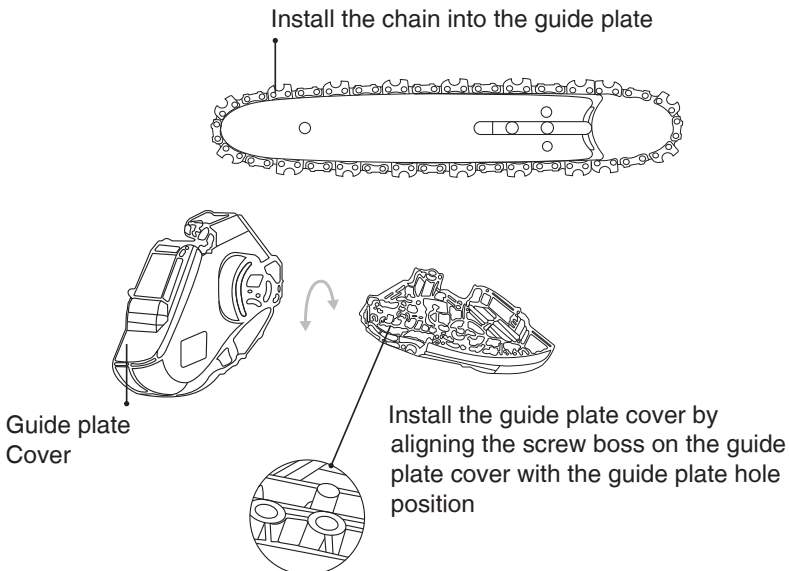


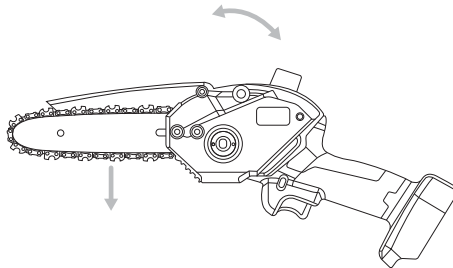
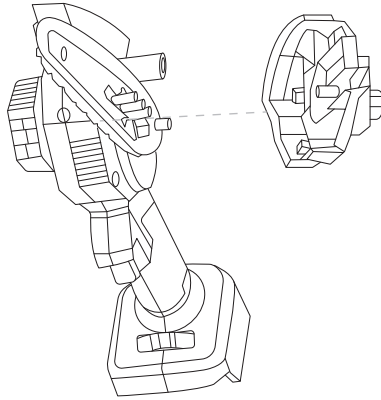
- 1- How to remove chain, loosen compression button, remove the side cover After remove the side cover as picture, remove the guide directly.
- 2- How to install the chain guide plate: first load the chain into the guide plate, and the middle guide tooth just sticks into the guide plate guide slot.

Note: the chain blade should be forward.

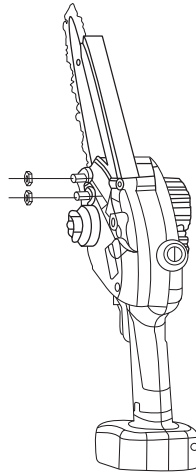
Note: The charging chainsaw has a device to adjust the tensioning of the chain.

When installing the guide plate, make sure that the adjusting block gets stuck into the positioning adjusting hole at the end of the guide plate!

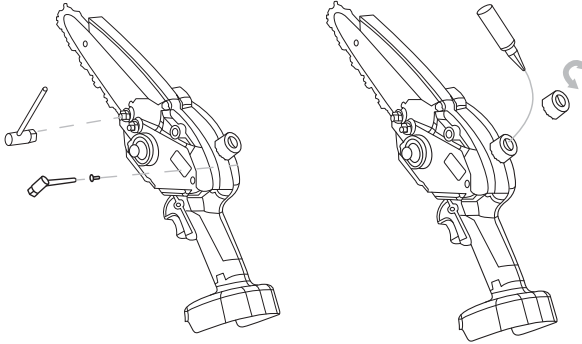




Manually Screw The M6 Nut Into The Machine



M6 outer hexagonal flange nut



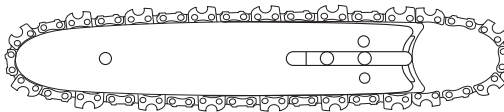
Open the oil cover, pour the lubricating oil into the oil bottle, tighten the oil cover

3- The chain tightness is shown below.

NOTE: 1-3 middle guide teeth are exposed in the pull down chain.

1- The new chain will be stretched in the early stage of use. Please check and adjust to the appropriate tension frequently, because the loose chain is easy to derail, which may lead to rapid wear of the chain and guide plate.

2- The chain must be stuck to the sprocket. After installation, please check it again.

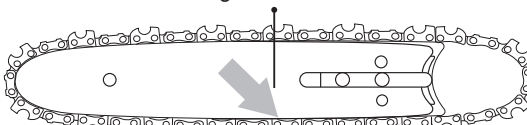


Drop-down chain

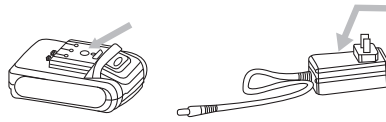


Drop down chain pull down the chain to expose the three middle guide teeth.

Middle guide tooth



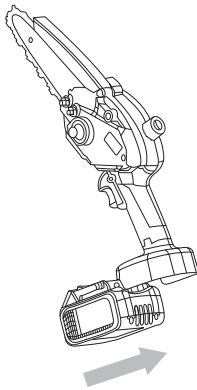
Pulling down the chain, leaking 1-3 middle guide tooth



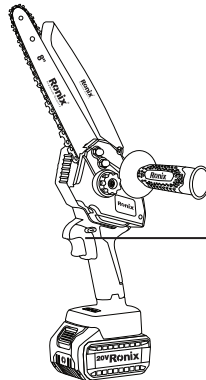
Charging jack

Battery packing: Pay attention to aligning slots, inserts.

Install the battery into the machine



Battery cartridge



Press The Switch To
Start The Machine

NOTE: Say carefully open the package, check the weather components are all: electric coarse branch.

- 1- electric coarse branch
- 2- Battery
- 3- Charger

•CHARGING THE BATTERY

Do not expose the battery to extreme condition such as high temperature or shock. Otherwise, it will cause personal injury due to the leakage of the electrolytic solution.

Before charging, check that the surface of the battery is clean and dry.

Before delivery, the battery of this product is not fully charged.

Therefore, before the first use, it must be sufficient electricity.

Do not charge the battery for long periods of time, and do not run out of all the power in the soap tank, otherwise it will damage the battery.

If the battery with the sufficient is significantly shorter, it must be replaced if the battery is exhausted.

The user can only use the battery pack manufactured by the original equipment operated by the customer center.

Always keep in mind applicable safety instructions and protection requirements and environmental information.

1- Put the charger in the room between 10 and 22M, and stops moisture entering.

2- Check the switch is in off position.

3- Connect to charger to the corresponding connector for the battery pack.

4- Make sure the power is consistent with the rated values on the charger and adapter.

5- When the red light is on the charger, it indicate that the battery is charging, and the green lights indicates that the charge is completed. The average charge time is 2 hours.

6- The battery is used to ensure that it is recharged at least once every three months.

■CONDITION OF WORK

Maintain charging temperature 0°C-45°C for soap charger and battery pack discharge temperature -1CTC for battery pack ~60°C.

■OPERATIONS INSTRUCTIONS

Please wear suitable clothing and work gloves when using the parent. Before each use, make sure that the belt is running normally. Start/off switch and safety switch must be available for normal use. When loosening the start switch, the power must be turned off. If the switch is damaged, stop using the

device make sure the voltage of the power supply is consistent with the voltage on the nameplate. The risk of injury can be reduced by wearing protective device and ensuring that the devices are functioning properly.

Confirm the frequency of the operation to ensure that the operation is in the best condition.

In order to save the use of electric batteries and ensure that the best service life of pruning and shearing, don't allow this load of overload lice to cut wet and dry branches over 60mm diameter and 20mm.

■ SKILL

1- When the device is running, say your other hand is at least 15cm away from the cutting area of the blade, and the hand must not be put into the knife edge.

2- Don't use this equipment to force the bigger branches, otherwise it may make the blade deform and make the pruning stick.

3- In cold or humid weather, to protect the battery pack, put in under waterproof clothing, don't use the equipment in rainy days.

4- We recommend that after daily use, the connection between the pruning number and the battery and the battery pack must be cut, and the power switch is closed and put together into the matching tool box.

■ CLEANING AND MAINTENANCE

Repair the function not mentioned herein shall be performed by the service center. To ensure the safety of use, only the original parts can be used. Clear the connection between the battery in safe package. Wear hand care when touching safety blades. This can avoid sharp blade scratching the user. Follow up cleaning and maintenance must be carried out regularly. This ensure long term and reliable operation of the equipment.

■ CLEARANCE

Don't spray the equipment with water or break it into the water,

otherwise, it may cause electric shock. Keep the ventilator, motor room and equipment handle clean. Use a damp cloth or brush cleaner.

don't use a bay cleaner. Otherwise, it may cause permanent failure of the equipment please clean the blade carefully after each use.

Use oily cloth to wipe the blade and absorb the metal to protect the fog. After 8 hours continues operation, please remove debris such as dust from the front turbulent cover plate of the equipment.

■ STORAGE

- 1- To ensure that the battery is fully charged, avoid setting SS3S in extremely hot or cold environments.
- 2- If the equipment will not be used for long time, please remove the battery before storage.
- 3- The batteries and charger must be placed in the instrument box to prevent heat. Dust and moisture from entering, check if the switch is off.
- 4- Check the switch is close or not.
- 5- The battery should be stored in a dry environment -20°C ~ 60°C.
- 6- Short term less than 1 month storage temperature -010°C ~ 35°C.
- 7- Short term storage less than 6 month -10°C ~ 35°C.
- 8- The distance between the battery and the combustible must be kept beyond 1.5M.

To ensure the service life of the equipment and prevent its degradation, store it in fully charged state. When not in use, charged and discharged the battery at least once a month.

■ INDICATOR LIGHT

Red: Charging

Green: Charging completed

■ TEXTILE COMPONENT

If need spare parts, please use the original product, we can provide you with high quality parts.



www.ronixtools.com