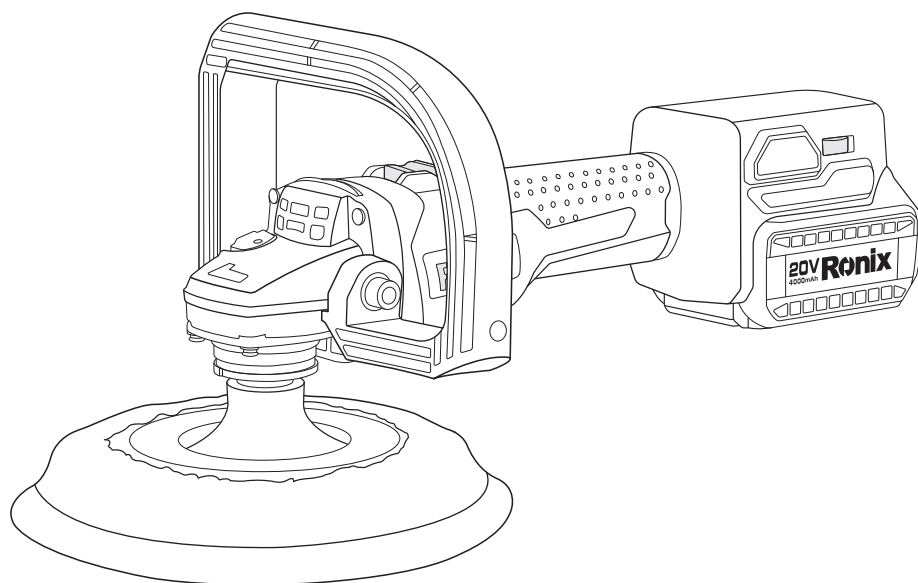


# Ronix<sup>®</sup>

Premium Quality

## **CORDLESS BRUSHLESS POLISHER 8652**



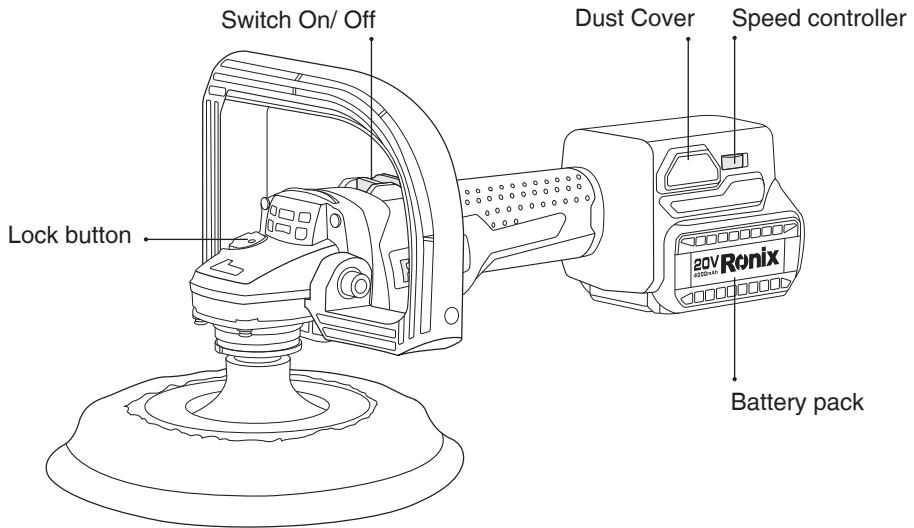
[www.ronixtools.com](http://www.ronixtools.com)



## TECHNICAL SPECIFICATION

Model	<b>8652</b>
Motor Type	Brushless motor
Battery Voltage	20V
Battery Capacity	4.0Ah
Battery Technology	lithium ion
No-load speed	1300-3500RPM
Spindle Size	M14
Pad Diameter	150mm
Continuous Working Time	45Min
Charging Time	60Min
Weight (N.W)	2.43Kg
Supplied in	BMC
Includes	1pc sheep ball, 1pc polishing disc, 1pc hex wrench, 1pc handle, 2 sets screws

## PART LIST



## GENERAL SAFETY RULES

### **⚠ WARNING!**

Read and understand all instructions. Failure to follow all instructions listed below, may result in electric shock. Fire or serious personal injury.

### **■ WORKS AREA**

- Keep your work area clean and well lit. Cluttered benches and dark areas invite accidents.
- Do not operate power tools in explosive atmospheres, such as in the presence of flammable liquids gases, or dust. Power tools create sparks which may ignite the dust or fumes.
- Keep bystanders' children and visitors away while operating a power tool, Distractions can cause you to lose control.

## **ELECTRICAL SAFETY**

- Power tool plugs must match the outlet. Never modify the plug in any way. Do not use any adapter plugs with earthed (grounded) power tools. Unmodified plugs and matching outlets will reduce risk of electric shock
- Avoid body contact with earthed or grounded surfaces, such as pipes, radiators, ranges and refrigerators. There is an increased risk of electric shock if your body is earthed or grounded.
- Do not expose power tools to rain or wet conditions. Water entering a power tool will increase the risk of electric shock.
- Do not abuse the cord. Never use the cord for carrying, pulling or unplugging the power tool. Keep cord away from heat, oil, sharp edges or moving parts. Damaged or entangled cords increase the risk of electric shock.
- When operating a power tool outdoors, use an extension cord suitable for outdoor use. Use of a cord suitable for outdoor use reduces the risk of electric shock.
- If operating a power tool in a damp location is unavoidable, use a residual current device (RCD) protected supply. Use of an RCD reduces the risk of electric shock.

## **■ BATTERY TOOL USE AND CARE**

- Recharge only with the charger specified by the Ronix. A charger that is suitable for one type of battery pack may create a risk of fire when used with another battery pack.
- Use power tools only with specifically designated battery packs. Use of any other battery packs may create a risk of injury and fire.
- When battery pack is not in use, keep it away from other metal objects, like paper clips, coins, keys, nails, screws or other small metal objects, that can make a connection from one terminal to another. Shorting the battery terminals together may cause burns or a fire.

- Under abusive conditions, liquid may be ejected from the battery; avoid contact. If contact accidentally occurs, flush with water. If liquid contacts eyes, additionally seek medical help. Liquid ejected from the battery may cause irritation or burns.
- Do not use a battery pack or tool that is damaged or modified. Damaged or modified batteries may exhibit unpredictable behavior resulting in fire, explosion or risk of injury.
- Do not expose a battery pack or tool to fire or excessive temperature. Exposure to fire or temperature above 130 °C may cause explosion.
- Follow all charging instructions and do not charge the battery pack or tool outside the temperature range specified in the instructions. Charging improperly or at temperatures outside the specified range may damage the battery and increase the risk of fire.

## **PERSONAL SAFETY**

- Stay alert, watch what you are doing and use common sense when operating a power tool. Do not use a power tool while you are tired or under the influence of drugs, alcohol or medication. A moment of inattention while operating power tools may result in serious personal injury.
- Use personal protective equipment. Always wear eye protection. Protective equipment such as a dust mask, non-skid safety shoes, hard hat or hearing protection used for appropriate conditions will reduce personal injuries.
- Prevent unintentional starting. Ensure the switch is in the off-position before connecting to power source and/or battery pack, picking up or carrying the tool. Carrying power tools with your finger on the switch or energizing power tools that have the switch on invites accidents.
- Remove any adjusting key or wrench before turning the power tool on. A wrench or a key left attached to a rotating part of the power tool may result in personal injury.

- Do not overreach. Keep proper footing and balance at all times. This enables better control of the power tool in unexpected situations.
- Dress properly. Do not wear loose clothing or jewelry. Keep your hair and clothing away from moving parts. Loose clothes, jewelry or long hair can be caught in moving parts.
- If devices are provided for the connection of dust extraction and collection facilities, ensure these are connected and properly used. Use of dust collection can reduce dust-related hazards.
- Do not let familiarity gained from frequent use of tools allow you to become complacent and ignore tool safety principles. A careless action can cause severe injury within a fraction of a second.

## **POWER TOOL USE AND CARE**

- Do not force the power tool. Use the correct power tool for your application. The correct power tool will do the job better and safer at the rate for which it was designed.
- Do not use the power tool if the switch does not turn it on and off. Any power tool that cannot be controlled with the switch is dangerous and must be repaired by Ronix Service Center.
- Disconnect the plug from the power source and/or remove the battery pack, if detachable, from the power tool before making any adjustments, changing accessories, or storing power tools. Such preventive safety measures reduce the risk of starting the power tool accidentally.
- Store idle power tools out of the reach of children and do not allow persons unfamiliar with the power tool or these instructions to operate the power tool. Power tools are dangerous in the hands of untrained users.
- Maintain power tools and accessories. Check for misalignment or binding of moving parts, breakage of parts and any other condition that may affect the power tool's operation. If damaged, have the power tool repaired before use. Many accidents are caused by poorly maintained power tools.

- Keep cutting tools sharp and clean. Properly maintained cutting tools with sharp cutting edges are less likely to bind and are easier to control.
- Use the power tool, accessories and tool bits etc. in accordance with these instructions, taking into account the working conditions and the work to be performed. Use of the power tool for operations different from those intended could result in a hazardous situation.
- Keep handles and grasping surfaces dry, clean and free from oil and grease. Slippery handles and grasping surfaces do not allow for safe handling and control of the tool in unexpected situations.

## **SERVICE**

- Have your power tool serviced by Ronix service center to use only identical replacement parts. This will ensure that the safety of the power tool is maintained.
- Never service damaged battery packs. Service of battery packs should only be performed by the Ronix service center.

## **■ POLISHING**

Apply the polish to an area slightly smaller than the area which you intend to polish then by Using the appropriate polishing pad, work in the polish using side-to-side or circular motions and applying moderate pressure.

Do not use force or allow the polish to dry out on the surface; this may damage the working surface.

Do not expose the surface which you intend to polish to direct sunlight.

Use Clean polishing pad to ensure good polishing results.

## **▲ WARNING!**

MISUSE or failure to follow the safety rules stated in this instruction manual may cause serious personal injury.



## FUNCTIONAL DESCRIPTION

### ⚠ ATTENTION!

Always switch off the tool and remove the battery cartridge before adjusting or checking function.

## INSTALLING OR REMOVING THE BATTERY PACK

### ⚠ ATTENTION!

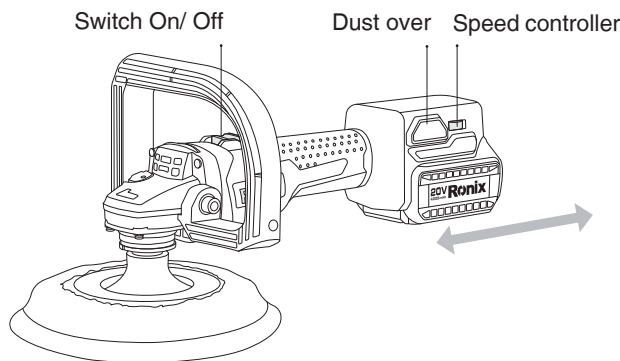
- Be sure to turn off the tool before installing or removing the battery pack.

When installing or removing the battery cartridge, hold the tool and battery cartridge securely. Otherwise, the tool or battery pack may slip out of your hands, resulting in personal injury or damage to the tool and battery pack.

- To remove the battery pack, press the button on the front and pull out the battery pack.

- To install the battery pack, pay attention to align the tab on the battery pack with the groove in the case and slide it into place.

- Battery pack should install without additional force, all the way so that it clicks into place with a slight click.



### **1- SWITCH ACTION**

Before installing the battery cartridge into the tool, always check to see that the switch trigger actuated properly and returns to the “OFF” position when released.

### **2- SPEED ADJUSTING DIAL**

The tool speed can be changed by turning the speed adjusting dial to a given number setting from 1 to 6. number 6 produce Highest speed and number 1 produce slowest speed.

### **⚠ CAUTION!**

If the tool is operated continuously at low speeds for a long time, the motor may get overloaded, resulting in tool malfunction. to prevent that at first adjust the speed adjusting dial to number6 then far back to number 1.

Do not force the speed adjusting dial.

### **3- CLEANING DUST COVERS**

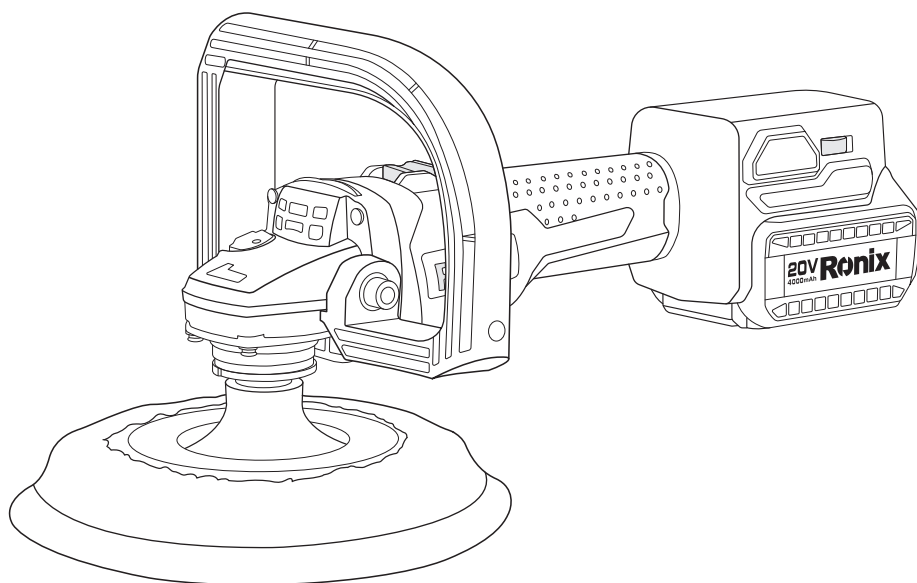
Regularly clean the dust covers on the inhalation vents for smooth air circulation. Remove the dust covers and clean the mesh.



# Ronix<sup>®</sup>

Premium Quality

## **CORDLESS BRUSHLESS POLISHER 8652**



[www.ronixtools.com](http://www.ronixtools.com)