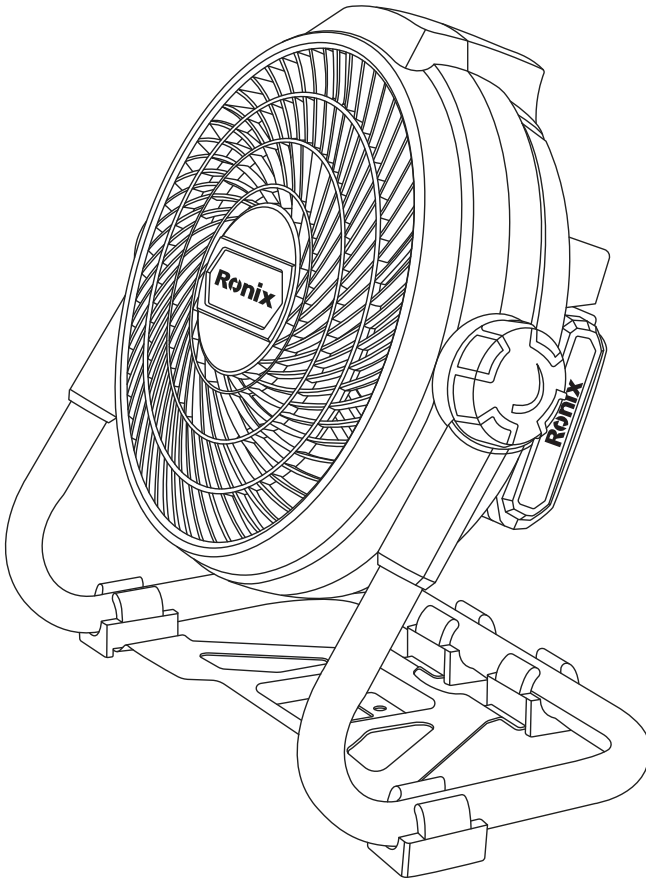


Ronix[®]
Premium Quality

**CORDLESS FAN 20V
8626**

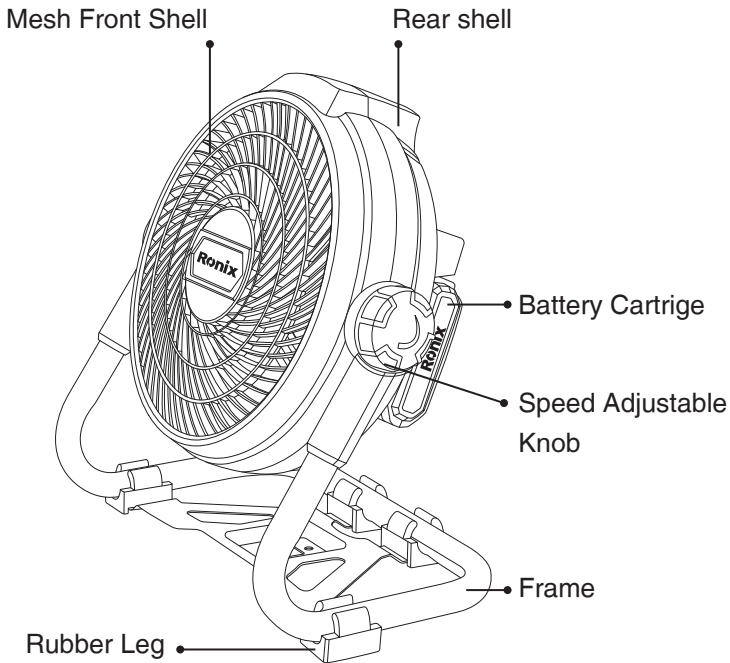


www.ronixtools.com

TECHNICAL SPECIFICATION

Model	8626
Battery Chemistry	lithium-ion
Battery Voltage	20V
Battery Capacity	2000mAh
No-Load Speed	Low: 890RPM Mid:1460RPM High:1890RPM
Blowing Speed	3.567m/s
Noise Level	Mid speed: 60.7dB High speed: 65dB
Blowing Volume	MAX 14m ³ /min
Running Time	2.8h(High speed)
Weight	2.76Kg (with 1pc battery)
Includes	1pc battery pack 1pc charger

PART LIST



GENERAL POWER TOOL SAFETY

WARNINGS

Read all safety warnings and all instructions. Failure to follow the warnings and instructions may result in electric shock, fire and/or serious injury.

Save all warnings and instructions for future reference.

The term “power tool” in the warnings refers to your mains-operated (corded) power tool or battery-operated (cordless) power tool.

■ WORK AREA SAFETY

- Keep work area clean and well lit. Cluttered or dark areas invite accidents.

- Do not operate power tools in explosive atmospheres, such as in the presence of flammable liquids, gases or dust. Power tools create sparks which may ignite the dust or fumes.
- Keep children and bystanders away while operating a power tool. Distractions can cause you to lose control.

■ ELECTRICAL SAFETY

- Power tool plugs must match the outlet. Never modify the plug in any way. Do not use any adapter plugs with earthed (grounded) power tools. Unmodified plugs and matching outlets will reduce risk of electric shock.
- Avoid body contact with earthed or grounded surfaces such as pipes, radiators, ranges and refrigerators. There is an increased risk of electric shock if your body is earthed or grounded.
- Do not expose power tools to rain or wet conditions. Water entering a power tool will increase the risk of electric shock.
- Do not abuse the cord. Never use the cord for carrying, pulling or unplugging the power tool. Keep cord away from heat, oil, sharp edges or moving parts. Damaged or entangled cords increase the risk of electric shock.
- When operating a power tool outdoors, use an extension cord suitable for outdoor use. Use of a cord suitable for outdoor use reduces the risk of electric shock.
- If operating a power tool in a damp location is unavoidable, use a ground fault circuit interrupter (GFCI) protected supply. Use of an GFCI reduces the risk of electric shock.

■ PERSONAL SAFETY

- Stay alert, watch what you are doing and use common sense when operating a power tool. Do not use a power tool while you are tired or under the influence of drugs, alcohol or medication. A moment of inattention while operating power tools may result in serious personal injury.
- Use personal protective equipment. Always wear eye protection.

Protective equipment such as dust mask, non-skid safety shoes, hard hat, or hearing protection used for appropriate conditions will reduce personal injuries.

- Prevent unintentional starting. Ensure the switch is in the off-position before connecting to power source and/or battery pack, picking up or carrying the tool. Carrying power tools with your finger on the switch or energizing power tools that have the switch on invites accidents.
- Remove any adjusting key or wrench before turning the power tool on. A wrench or a key left attached to a rotating part of the power tool may result in personal injury.
- Do not overreach. Keep proper footing and balance at all times. This enables better control of the power tool in unexpected situations.
- Dress properly. Do not wear loose clothing or jewelry. Keep your hair, clothing, and gloves away from moving parts. Loose clothes, jewelry or long hair can be caught in moving parts.
- If devices are provided for the connection of dust extraction and collection facilities, ensure these are connected and properly used. Use of dust collection can reduce dust related hazards.

MACHINE USE AND CARE

- Do not force the machine. Use the correct machine for your application. The correct machine will do the job better and safer at the rate for which it was designed.
- Do not use the machine if the switch does not turn it on and off. Any machine that cannot be controlled with the switch is dangerous and must be repaired.
- Disconnect the plug from the power source before making any adjustments, changing accessories, or storing machines.
Such preventive safety measures reduce the risk of starting the machine accidentally.
- Store idle machines out of the reach children and do not allow persons unfamiliar with the machine or these instructions to operate the machine. Machines are dangerous in the hands of untrained users.

- Maintain machines. Check for misalignment or binding of moving parts, breakage of parts and any other condition that may affect the machines operation. If damaged, have the machine repaired before use. Many accidents are caused by poorly maintained machines.
- Keep cutting tools sharp and clean. Properly maintained cutting tools with sharp cutting edges are less likely to bind and are easier to control.
- Use the machine, accessories and tool bits etc., in accordance with these instructions and in the manner intended for the particular type of machine, taking into account the working conditions and the work to be performed. Use of the machine for operations different from intended could result in a hazardous situation.

■SERVICE

- Have your machine serviced by a qualified repair person using only identical replacement parts.

This will ensure that the safety of the machine is maintained.

■BATTERY SAFETY INSTRUCTIONS

- 1- Before using battery cartridge, read all instructions and cautionary markings on battery charger, battery, and product using battery.
- 2- Do not disassemble battery cartridge.
- 3- If operating time has become excessively shorter, stop operating immediately. It may result in a risk of overheating, possible burns and even an explosion.
- 4- If electrolyte gets into your eyes, rinse them out with clear water and seek medical attention right away. It may result in loss of your eyesight.
- 5- Do not short the battery cartridge:
 - (1) Do not touch the terminals with any conductive material.
 - (2) Avoid storing battery cartridge in a container with other metal objects such as nails, coins, etc.
 - (3) Do not expose battery cartridge to water or rain. A battery short can cause a large current flow, overheating, possible burns and even a breakdown.

6- Do not store the tool and battery cartridge in locations where the temperature may reach or exceed 50°C (122°F).

7- Do not incinerate the battery cartridge even if it is severely damaged or is completely worn out. The battery cartridge can explode in a fire.

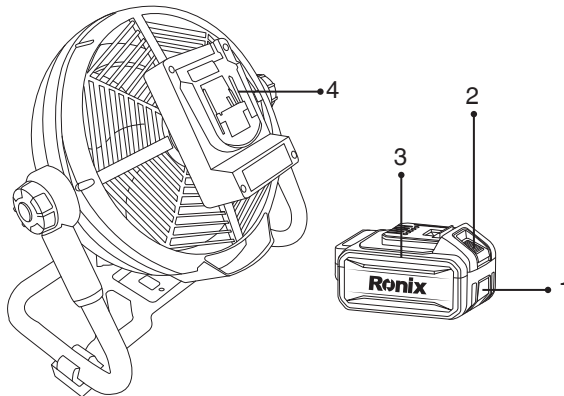
8- Be careful not to drop or strike battery.

OPERATION INSTRUCTIONS

■ REMOVING /INSTALLATION THE BATTERY PACK

To remove the battery pack (1), slide it from the tool while press the button (2) on the front of the battery pack (1).

To install the battery cartridge, align the tongue (3) on the battery pack with the groove (4) in the housing and slide it into place. Insert it all the way until it locks in place with a little click. If you can see the red indicator on the upper side of the button, it is not locked completely.

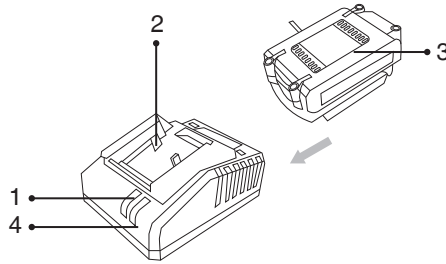


■ CHARGING

1- Connect the charger (1) to a power outlet. The indicator (1) will turn green.

2- Insert the battery (3) into the charger. The indicator (4) lights up in red.

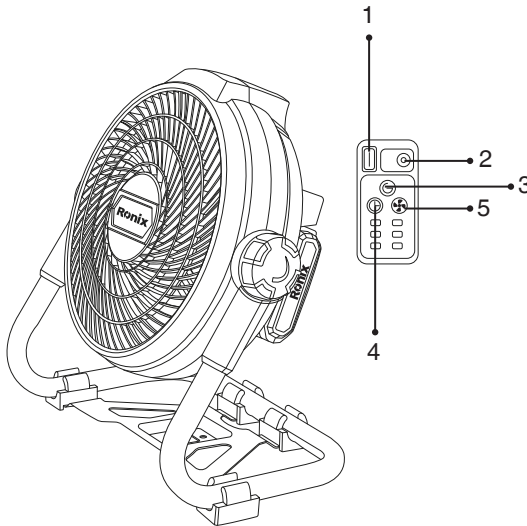
3- The indicator (1) lights up green after a full charge.



! WARNING:

- 1- To keep the Li-ion working, it must not be charged at temperatures below 0 °C or above 45 °C.
- 2- If the battery pack temperature is above 45 °C or below 0 °C, the battery pack cannot be charged. The charger is green after connect the battery pack.
- 3- If the battery pack is damaged. The charger is green after connect the battery pack.

POWER ON/OFF THE FAN



To power on the fan, please press the power button (3).

To power off the fan, please press the power button (3) again.

■ CHANGE THE SPEED

This model has three speed to adjust. Press the fan speed adjustment button (5) to change speed.

Fan work time adjustment

To adjust the fan work time, please press the fan work time adjustment button (4), it can select from 2 hours, 4 hours and 8hours.

USB output

This model has USB output function. When you install the battery pack, the use port (1) will output 1A current.

Charge and wok on battery

When you install the battery pack, you can change the battery pack through insert into the charge hole (2).

If you no battery pack, you can insert the charger into the charge hole (2), the fan will work continuous.

■ TOOL MAINTENANCE

1- Repairs must be performed by a qualified expert, using only identical replacement parts. This will ensure that the safety of the tool is maintained.

2- Keep protection devices, air vents and the motor housing as clean (dust free) as possible. Clean the tool with a clean cloth or clean with compressed air at low pressure.

3- We recommend cleaning the tool directly after each use.

4- Clean the tool regularly with a damp cloth and a little soap. Do not use any cleaner or detergent, they can damage the plastic parts of the tool.

Ensure that no water enters the tool.

5- Recharge the battery at least once a year to maintain battery life.



www.ronixtools.com