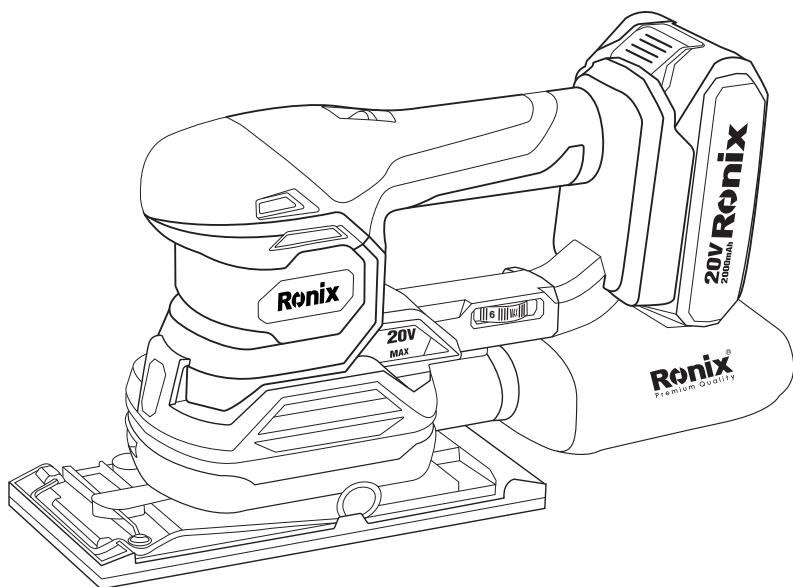


Ronix[®]

Premium Quality

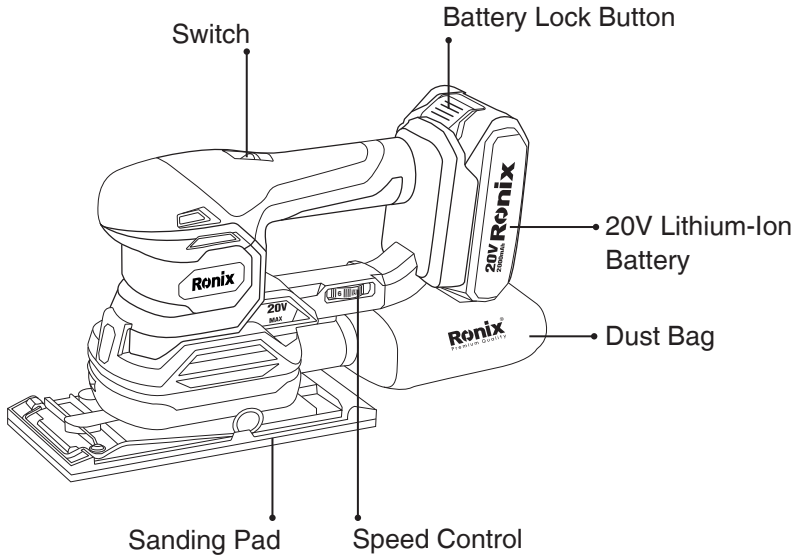
CORDLESS MULTI-FUNCTION SANDER 20V(3 in 1) 8624



TECHNICAL SPECIFICATIONS

Model	8624
Dimension	250x90x160mm
Voltage	20V
Battery Type	Lithium
Battery Capacity	2.0Ah
Motor Type	Brushed
No-Load Orbites	6000-12000 OPM
Max Speed	12000RPM
Min Speed	6000RPM
Vibration Level	4.170m/s ²
Pad Dimensions	187×90mm
Triangle base plate size	140×140×80mm
Orbital Diameter	125mm
Run Time	20-25min
Charging Time	1h
Body Material	PA6+GF30
Net Weight	1.3Kg
Total Weight	2.95Kg
Include	2pcs Battery 1pc Charger 3pcs Sanding Paper 1pc Dust Bag

PART LIST



IMPORTANT SAFETY INSTRUCTIONS

■ WORK AREA

- Keep your work area clean and well lit. Cluttered benches and dark areas invite accidents.
- Do not operate power tools in explosive atmospheres, such as in the presence of flammable liquids, gases, or dust. Power tools create sparks which may ignite the dust or fumes.
- Keep bystanders, children, and visitors away while operating a power tool.
- Distractions can cause you to lose control. Protect others in the work area from debris such as chips and sparks. Provide barriers or shields as needed.

■ ELECTRICAL SAFETY

- Don't expose power tools to rain or wet conditions. Water entering a power tool will increase the risk of electric shock.

- Handle the cord carefully. Never use the cord to carry the tools or pull the plug from an outlet. Keep cord away from heat, oil, sharp edges or moving parts. Replace damaged cords immediately. Damaged cords increase the risk of electric shock.
- When operating a power tool outside, use outdoor extensions cord marked “W-A” or “W”. These cords are rated for outdoor use and reduce the risk of electric shock.

PERSONAL SAFETY

- Stay alert, watch what you are doing, and use common sense when operating a power tool. Do not use tool while tired or under the influence of drugs, alcohol, or medication. A moment of inattention while operating power tools may result in serious personal injury. Dress properly. Do not wear loose clothing or jewelry. Contain long hair. Keep your hair, clothing, and gloves away from moving parts. Loose clothes, jewelry, or long hair can be caught in moving parts.
- Avoid accidental starting. Be sure switch is off before plugging in. Carrying tools with your finger on the switch or plugging in tools with the switch on invites accidents.
- Remove adjusting keys before turning the tool on. A wrench or a key that is left attached to a rotating part of the tool may result in personal injury.
- Do not overreach. Keep proper footing and balance at all times. Proper footing and balance enables better control of the tool in unexpected situations.
- Use safety equipment. Always wear eye protection. Dust mask, non skid safety shoes, hard hat, or hearing protection must be used for appropriate conditions.

POWER TOOL USE AND CARE

- Use clamps or other practical way to secure and support the work piece to a stable platform. Holding the work by hand or against your body is unstable and may lead to loss of control.

- Do not force tool. Use the correct tool for your application. The correct tool will do the job better and safer at the rate for which it is designed.
- Do not use tool if switch does not turn it on or off. Any tool that cannot be controlled with the switch is dangerous and must be repaired.
- Disconnect the plug from the power source before making any adjustments, changing accessories, or storing the tool.

Such preventive safety measures reduce the risk of starting the tool accidentally.

- Store idle tools out of reach of children and other untrained persons. Tools are dangerous in the hands of untrained users.

- Maintain tools with care. Keep accessories sharp and clean. Properly maintained tools with sharp cutting edges are less likely to bind and are easier to control. Do not use a damaged tool. Tag damaged tools "Do not use" until repaired.

- Check for misalignment or binding of moving parts, breakage of parts, and any other condition that may affect the tool's operation.

If damaged, have the tool serviced before using. Many accidents are caused by poorly maintained tools.

- Use only accessories that are recommended by the manufacturer for your model. Accessories that may be suitable for one tool may become hazardous when used on another tool.

■ BATTERY TOOL USE AND CARE

- Ensure the switch is in the off position before inserting the battery pack. Inserting the battery pack into power tools that have the switch on may cause an accident.

- Recharge only with the charger specified by the manufacturer.

A charger that is suitable for one type of battery pack may create a Risk of fire when used with another battery pack.

- Use power tools only with specifically designed battery packs. Use of any other battery packs may create a risk of injury or fire.

- When battery pack is not in use, keep it away from other metal objects like paper clips, coins, keys, nails, screws, or other small metal

objects that can make a connection from one terminal to another.

Shorting the terminals together may cause burns or a fire.

- Do not use the tool in wet or damp conditions.
- Under abusive conditions, liquid may be ejected from the battery avoid contact. If contact accidentally occurs, flush with water. If liquid contacts eyes, additionally seek medical help. Liquid ejected from the battery may cause irritation or burns.

■SERVICE

- Tool service must be performed only by qualified repair personnel. Service or maintenance performed by unqualified personnel could result in a risk of injury.
- When servicing a tool, use only identical replacement parts.
- Follow instructions in the Maintenance section of this manual. Use of unauthorized parts or failure to follow Maintenance instructions may create a risk of electric shock or injury.

SAFETY INSTRUCTIONS FOR CORDLESS SANDER

- This power tool is intended to function as a sander. Read all safety warnings, instructions. Illustrations and specifications provided with this power tool. Failure to follow all instructions listed below may result in electric shock, fire and/or serious injury.
- Operations such as grinding, wire brushing, polishing, or cutting off are not recommended to be performed with this power tool. Operations for which the power tool was not designed may create a hazard and cause personal injury.
- Do not use accessories which are not specifically designed and recommended by the tool manufacturer. Just because the accessory can be attached to your power tool, it does not assure safe operation.
- The rated speed of the accessory must be at least equal to the maximum speed marked on the power tool. Accessories running faster than their RATED SPEED can break and fly apart.

- The outside diameter and the thickness of your accessory must be within the capacity rating of your power tool. Incorrectly sized accessories cannot be adequately guarded or controlled.
- The arbor size of wheels, flanges, backing pads or any other accessory must properly fit the spindle of the power tool. Accessories with arbor holes that do not match the mounting hardware of the power tool will run out of balance, vibrate excessively and may cause loss of control.
- Do not use a damaged accessory. Before each use inspect the accessory such as abrasive wheels for chips and cracks, backing pad for cracks, tear or excess wear, wire brush for loose or cracked wires. If power tool or accessory is dropped, inspect for damage or install an undamaged accessory. After inspecting and installing an accessory, position yourself and bystanders away from the plane of the rotating accessory and run the power tool at maximum no-load speed for one minute. Damaged accessories will normally break apart during this test time.
- Wear personal protective equipment. Depending on application, use face shield, safety goggles or safety glasses. As appropriate, wear dust mask, hearing protectors, gloves and workshop apron capable of stopping small abrasive or workpiece fragments. The eye protection must be capable of stopping flying debris generated by various operations. The eye protection must be capable of stopping flying debris generated by various operations. The dust mask or respirator must be capable of filtering out particles generated by your operation. Prolonged exposure to high intensity noise may cause hearing loss.
- Keep bystanders a safe distance away from work area. Anyone entering the work area must wear personal protective equipment. Fragments of workpiece or of a broken accessory may fly away and cause injury beyond immediate area of operation.
- Hold power tool by insulated gripping surfaces only, when performing an operation where the accessory may contact hidden wiring or its own cord. An accessory contacting a (live) wire may make exposed metal parts of the power tool (live) and shock the operator.

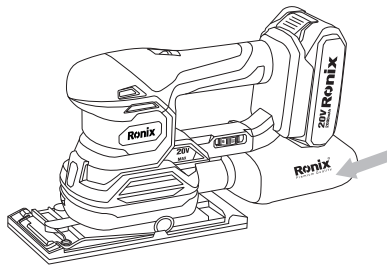
- This power tool is intended to function as a sander. Read all safety warnings, instructions. Illustrations and specifications provided with this power tool. Failure to follow all instructions listed below may result in electric shock, fire and/or serious injury.
- never lay the power tool down until the accessory has come to a complete stop. The spinning accessory may grab the surface and pull the power tool out of your control.
- Do not run the power tool while carrying it at your side. Accidental contact with the spinning accessory could snag your clothing, pulling the accessory into your body.
- Regularly clean the power tool's air vents. The motor's fan will draw the dust inside the housing and excessive accumulation of powdered metal may cause electrical hazards.
- Do not operate the power tool near flammable materials. Sparks could ignite these materials.
- Do not use accessories that require liquid coolants. Using water or other liquid coolants may result in electrocution or shock.
- Maintain labels and nameplates on the tool. These carry important safety information.
- Avoid unintentional starting. Prepare to begin work before turning on the tool.
- Do not depress the spindle lock when starting or during operation.
- Do not leave the tool unattended when the Battery Pack is connected. Turn off the tool. and remove the Battery Pack before leaving.
- Use clamps (not included) or other practical ways to secure and support the workpiece to a stable platform. Holding the work by hand or against your body is unstable and may lead to loss of control and personal injury.
- The battery charger gets hot during use. The charger's heat can build up to unsafe levels and create a fire hazard if it does not receive adequate ventilation, due to an electrical fault, or if it is used in a hot environment. Do not place the charger on a flammable surface. Do

not obstruct any vents on the charger. Especially avoid placing the charger on carpets and rugs; they are not only.

- Flammable, but they also obstruct vents under the charger.
- This product is not a toy. Keep it out of reach of children.
- People with pacemakers should consult their physician(s) before use. Electromagnetic fields in close proximity to heart pacemaker could cause pacemaker interference or pacemaker failure.
- In addition, people with pacemakers should:
 - Avoid operating alone.
 - Do not use with power switch locked on.
 - Properly maintain and inspect to avoid electrical shock.
 - Properly ground power cord. Ground Fault Circuit Interrupter. (GFCI) should also be implemented it prevents sustained electrical shock.
- The warnings, precautions, and instructions discussed in this instruction manual cannot cover all possible conditions and situations that may occur. It must be understood by the operator that common sense and caution are factors which cannot be built into this product, but must be supplied by the operator.

■ ASSEMBLY

- Slide the Dust Bag onto the Dust Chute at the back of the Sander. Push the Dust Bag fully onto the Dust Chute using firm pressure until the Locking Tabs snap into place in the Tab Slots.



OPERATION

WARNING!

When charging more than one battery pack, allow 15 minutes between charges.

WARNING!

After many charge/discharge cycles, your battery will lose its ability to hold a charge. It should then be replaced. Dispose of batteries at an appropriate waste disposal facility. Do not throw batteries away in common trash receptacles.

WARNING!

When the machine is obstructed, please turn off the switch right away and check if the work piece is right. An obstruction may cause the machine motor to be burned.

CAUTION:

Do not expose either the tool or charger to the rain or water. It is best not to overcharge the battery as this may damage the battery. If the battery power is low, stop working and recharge the battery pack. To prolong the using life of the tool, do not work continually for more than 20 minutes at a time.

■ **CLEANING, MAINTENANCE, AND LUBRICATION**

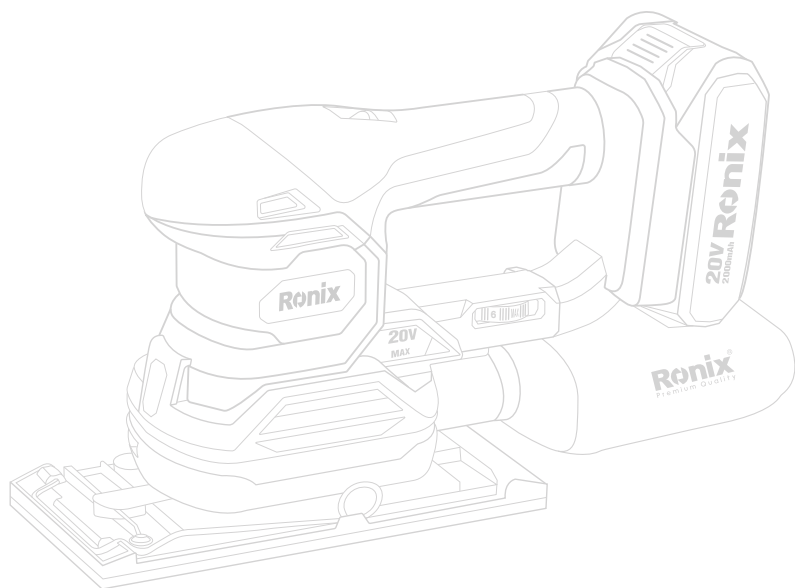
- Before Each Use, inspect the general condition of the tool.

Check for:

- leaking, swollen, or cracked battery pack.
- loose hardware
- misalignment or binding of moving parts
- cracked or broken parts
- any other condition that may affect its safe operation.
- After Use, empty the Dust Box and wipe external surfaces of the tool

with clean cloth.

- Periodically, wear ANSI-approved safety goggles and NIOSH approved breathing protection and blow dust out of the motor vents using dry compressed air.
- Disconnect battery pack and store battery pack, charger, and tool in dry, indoor area out of reach of children and away from metal objects (i.e., paperclips, coins) to prevent shorting.



CORDLESS MULTI-FUNCTION SANDER 20V(3 in 1)



www.ronixtools.com