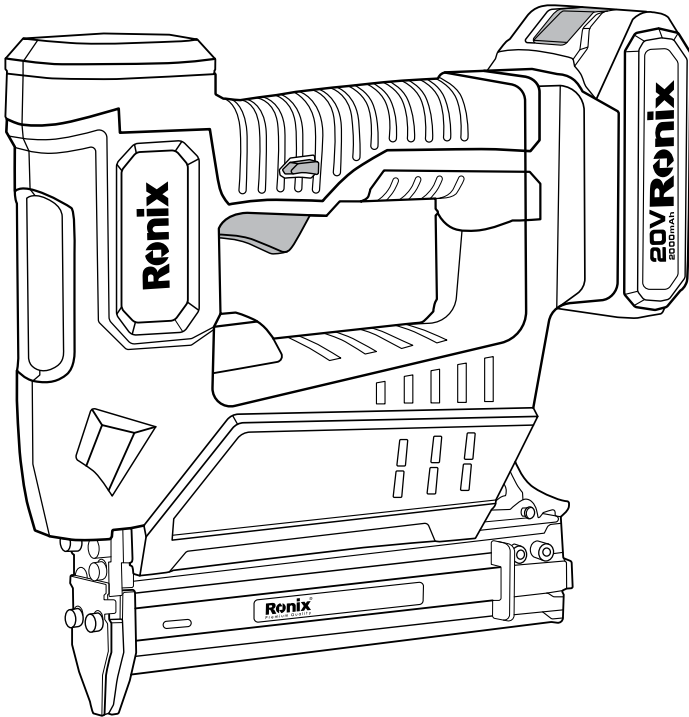


Ronix[®]

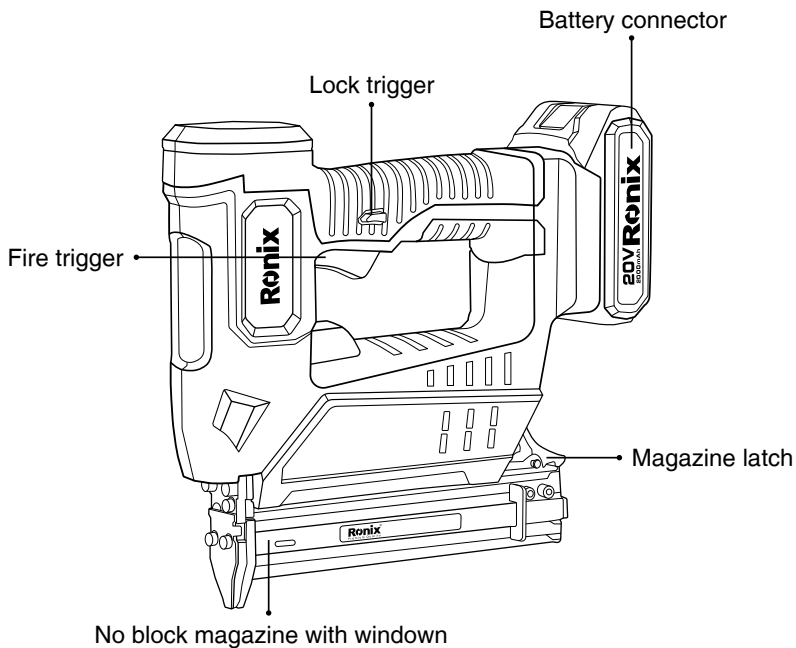
Premium Quality

F30 CORDLESS NAILER 8619



SPECIFICATION

Model	8619
Voltage	20V
Battery chemistry	Lithium
Battery capacity	2.0Ah
Nb of Shots/Min	120 shots/min
Maximum Magazine Capacity	100pcs
Max Nail Length	30mm
Gauge	18gauge
Weight	2.5Kg(with 1pc battery)
Supplied in	BMC
Includes	2 pcs battery, 1pc charger, 1pc Blade, 2pcs hex wrench(M3,M4)



IMPORTANT

Upon receipt of the product, read and follow all safety rules, operating instructions before use it. And retain this manual for future reference.

IMPORTANT SAFETY RULES

It. cluttered and dark areas invite accidents.

1- Keep work area clean and well l

2- Avoid dangerous environments. Do not operate power tools in explosive atmosphere, such as in the presence of flammable liquids, gases or dust. Power tools create sparks which may ignite the dust or fumes.

3- Keep children and bystanders away while operating a power tool. distractions can cause you to lose control.

4- Keep the tool pointed away from yourself and others at all time and keep hands, any body parts away rear area to safety guard against possible injury.

5- Use safety equipment. Always wear eye protection and ear protection. Safety equipment such as dust mask, non-skid safety shoes, hard hat, or hearing protection used for appropriate conditions.

6- Power tool plugs must match the outlet. Never modify the plug in any way. Do not use any adapter plugs with earthed (grounded) power tools. Unmodified plugs and matching outlets will reduce risk of electric shock.

7- Do not keep the trigger or safety depressed during loading fasteners or the unintentional firing of a fastener would cause personal injury.

8- Disconnect the tool from the power source before making any adjustments, changing accessories, or storing power tools. Such preventive safety measure reduce the risk of starting the power tool accidentally.

9- Do not fire if the nails/ staples are jammed. This will cause damage to the driver blade and could invite accidents.

- 10- Do not drive fasteners close to the edge of the work piece.
- 11- Do not drive fasteners on top of nailed fastener.
- 12- Only use parts and accessories recommended by manufacturer.

BATTERY TOOL USE, CHARGING AND CARE

- 1- Recharge only with the charger and the battery packs specified by the manufacturer.
- 2- Ensure the switch is in the off position before inserting battery pack.
- 3- Do not open the battery. Danger of short-circuiting.
- 4- protect the battery against heat, e.g., also against continuous sun irradiation and fire. There is danger of explosion.
- 5- Do not short-circuit the battery. There is danger of explosion.
- 6- Battery leakage (liquid ejection). Under abusive conditions, liquid may be ejected from the battery; avoid contact. If contact accidentally occurs, flush with water. If liquid contacts eyes, flush them with clean water for at least 10 minutes, then seek immediate medical attention. Liquid ejected from the battery may cause irritation or burns.
- 7- Care when charging. Make sure cord for the charger is located so that it will not be stepped on, tripped over, or otherwise subjected to damage or stress. Do not operate charging system with damaged cord or plug.

SERVICE

Have your power tool serviced by a qualified repair person using only identical replacement parts. This will ensure that the safety of the power tool is maintained.

FUNCTIONAL DESCRIPTION

• INTENDED USE

The Machine is intended for tacking of cardboard, insulating material, fabric, foils, leather and similar materials on surfaces of wood or materials

similar to wood. The machine is not suitable for the attachment of wall.

OPERATING INSTRUCTION

Battery charging

Battery packs for this tool are shipped in a low charge condition to prevent possible problems.

1- Plug the charger power supply into a power outlet. Insert the power outlet into the port on battery pack. Plug the charger power supply into a power outlet. The indicator light on the charger will be red (battery is charging).

2- When batteries become fully charged (about 1~1.5 hours), the indicator on the charger will turn green. Unplug the charger from power supply and remove the battery pack.

NOTE

A battery that is new or has not been used for a longer period does not develop its full capacity until after approx. 5 charge/discharge cycles.

Do not recharge the batteries after use if they are not to be used for an extended period of time. Recharge the batteries as and when they are required.

Do not recharge the recharge-required batteries after use if they are not cool down. Otherwise it will be not charged fully.

INSERTING AND REMOVING THE BATTERY PACK

1- Insert the battery pack into the grip until clicks in place.

2- To remove the battery pack, with pressing the lock buttons simultaneously to pull the pack out of the machine.

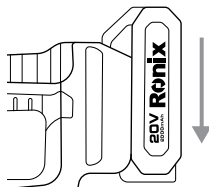


Image 1

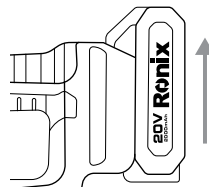


Image 2

INSERTING STAPLES OR NAILS INTO THE MAGAZINE

! NOTE

The number of staples or nails left in the magazine can be read using the viewing window.

- 1- Remove battery pack from the tool.
- 2- Press the release button and pull out the magazine cover.
- 3- Tilt the tool and place nails/staples into the track of the magazine channel.

MAKE SURE THAT THE FASTENERS ARE PLACED CORRECTLY

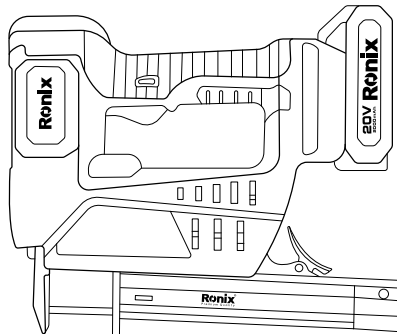
Staples are placed against the profiled side of the rail, the crown of the staple in the uppermost part of the magazine (legs are facing away from the body of the tool).

Nails are placed against the profiled side of the rail, with the points of the nails facing downwards.

- 1- Close the magazine cover until it engages with the release button.
- 2- Reattach battery pack to tool.

Warning: Do not place fasteners of different length. Do not place staples and nails mixed together.

LOADING NAILS



INSTRUCTIONS FOR USE

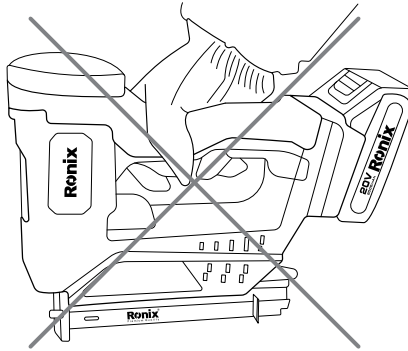
Prior to operation make sure your battery pack is fully charged.

Check whether the fasteners are placed in the magazine correctly.

Nailing or Stapling

Hold handle firmly with magazine flat to work piece forming a 90 Angle.

Wrong fire way: just use on hand to fire.

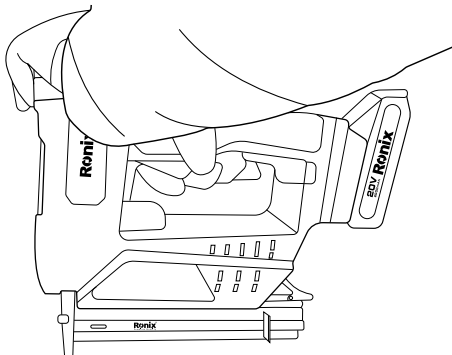


RIGHT FIRE WAY

Use two hand, one hand press gun head, it can make nails depth into wooden.

Do not keep the trigger depressed when the tool is not in use, to prevent accidental firing when the tool is not in use.

A significantly reduced working period after charging indicated that the battery is used and must be replaced.



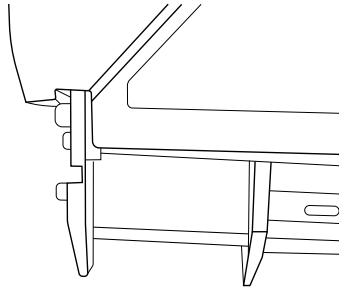
REMOVING A JAMMED NAIL OR STAPLE

NOTE

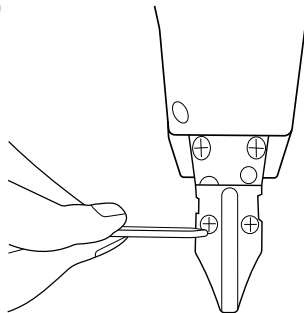
you must remove any jammed nail/staple before using the tool any further. Otherwise, it could cause damage to the mechanism.

Remove the battery pack from the tool.

Open the magazine, remove the staples or nails in channel. Then, to remove the jammed fasteners.



If the fasteners remain jammed after following the above instructions, slightly loosen the hex screws upon the nose piece with the wrench provided then remove the jammed fasteners pieces (see bellowing photo, just loose these four screws, not loose other screws, don't remove the whole nozzle cover)



Remove the jammed nail with pliers if necessary. After the jammed nail has been successfully removed, then re-tighten the nose piece with hex screws securely.

Reload on the staples/nails, close the magazine, then insert on the battery to shot. If still not shot, open the magazine, remove staples/nails, keep opening the magazine not shot, will be ok.



www.ronixtools.com