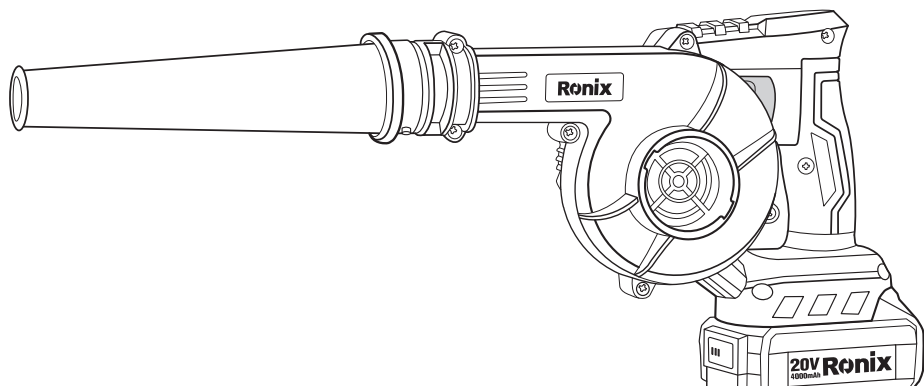


Ronix[®]

Premium Quality

CORDLESS BLOWER 8611



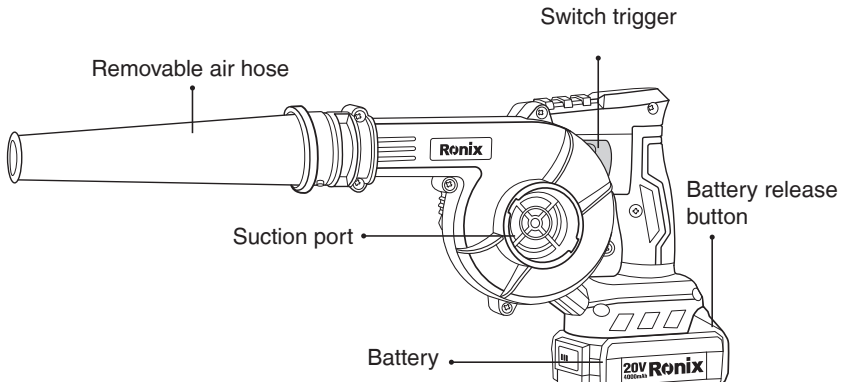
SPECIFICATIONS

Model	8611
Battery Type	Li-ion
Maximum Air Flow	0-2.8m ³ /min
No Loads of Speed	0-18000RPM
Weight	1.87kg
Battery Charging Time	60min
Voltage	DC-20V
Battery Capacity	4.0Ah
Supplied In	Ronix Color box
Continuous Working Time (All Diodes)	30min(Max air flow)
Includes	Blow rubber tube, Dust bag, 1pc 2.0Ah Battery, 1pc 2A Charger

⚠ WARNING!

Read this manual and general safety Instructions carefully before using the appliance, for your own safety. Your power tool should only be passed on together with these instructions.

PARTS LIST



GENERAL POWER TOOL SAFETY WARNINGS

Read all safety warnings and all instructions. Failure to follow all warnings and instructions may result in electric shock, fire and/or serious injury. Save all warnings and instructions for future reference. The term “power tool” in the warnings refers to your mains operated (corded) power tool or battery operated (cordless) power tool.

■ WORK AREA

- Keep work area clean and well lit. Cluttered and dark areas invite accidents.
- Do not operate power tools in explosive atmospheres, such as in the presence of flammable liquids, gases or dust. Power tools create sparks which may ignite the dust or fumes.
- Keep children and bystanders away while operating a power tool. Distractions can cause you to lose control.

■ ELECTRICAL SAFETY

- Power tool plugs must match the outlet. Never modify the plug in any way. Do not use any adapter plugs with earthed (grounded) power tools. Unmodified plugs and matching outlets will reduce risk of electric shock.
- Avoid body contact with earthed or grounded surfaces such as pipes, radiators, ranges and refrigerators. There is an increased risk of electric shock if your body is earthed or grounded.
- Do not expose power tools to rain or wet conditions. Water entering a power tool will increase the risk of electric shock.
- Do not abuse the cord. Never use the cord for carrying, pulling or unplugging the power tool. Keep cord away from heat, oil, sharp edges or moving parts. Damaged or entangled cords increase the risk of electric shock.
- When operating a power tool outdoors, use an extension cord

suitable for outdoor use. Use of a cord suitable for outdoor use reduces the risk of electric shock.

- If operating a power tool on a damp location is unavoidable, use a residual current device (RCD) protected supply. Use of an RCD reduces the risk of electric shock.

■ PERSONAL SAFETY

- Stay alert, watch what you are doing and use common sense when operating a power tool. Do not use a power tool while you are tired or under the influence of drugs, alcohol or medication. A moment of inattention while operating power tools may result in serious personal injury.

- Use safety equipment. Always wear eye protection. Safety equipment such as dust mask, non-skid safety shoes, hand hat, or hearing protection used whenever conditions require will reduce personal injuries.

- Avoid accidental starting. Ensure the switch is in the off position before plugging in.

- Carrying power tools with your finger on the switch or plugging in power tools that have the switch on invites accidents.

- Remove any adjusting key or wrench before turning the power tool on. A wrench or a key left attached to a rotating part of the power tool may result in personal injury.

- Do not overreach. Keep proper footing and balance at all times. This enables better control of the power tool in unexpected situations.

- Dress properly. Do not wear loose clothing or jewelry. Keep your hair, clothing and gloves away from moving parts. Loose clothes, jewelry or long hair can be caught in moving parts.

- If devices are provided for the connection of dust extraction and collection facilities, ensure these are connected and properly used. Use of these devices can reduce dust related hazards.

■ POWER TOOL USE AND CARE

- Do not force the power tool. Use the correct power tool for your application. The correct power tool will do the job better and safer at the rate of which it was designed.
- Do not use the power tool if the switch does not turn it on and off. Any power tool that cannot be controlled with the switch is dangerous and must be repaired.
- Disconnect the plug from the power source before making any adjustments, changing accessories, or storing power tools. Such preventive safety measures reduce the risk of starting the power tool accidentally.
- Store idle power tool out of the reach children and do not allow persons unfamiliar with the power tool of these instructions to operate the power tool. Power tools are dangerous in the hands of untrained users.
- Maintain power tools. Check for misalignment or sticking of moving parts, breakage of parts and other condition that may affect the power tool's operation. If damaged, have the power tool repaired before use. Many accidents are caused by poorly maintained power tools.
- Keep cutting tools sharp and clean. Properly maintained cutting tools with cutting edges are less likely to stick and are easier to control.
- Use the power tool, accessories and tool bits etc., in accordance with these instructions and in the manner intended for the particular type of power tool, taking into account the working conditions and the work to be performed. Use of the power tool for operations different from intended could lead to a hazardous situation.

■ BATTERY TOOL USE AND CARE

- Recharge only with the charger specified by the manufacturer. A charger that is suitable for one type of battery pack may create a risk of fire when used with another battery pack.
- Use power tools only with specifically designated battery packs. Use of any other battery packs may create a risk of injury and fire.

- When battery pack is not in use, keep it away from other metal objects, like paper clips, coins, keys, nails, screws or other small metal objects, that can make a connection from one terminal to another. Shorting the battery terminals together may cause burns or a fire.
- Under abusive conditions, liquid may be ejected from the battery; avoid contact. If contact accidentally occurs, flush with water. If liquid contacts eyes, additionally seek medical help. Liquid ejected from the battery may cause irritation or burns.
- Do not open the battery. Danger of short-circuiting.
- Protect the battery against heat, against continuous intense sunlight, fire, water, and moisture. Danger of explosion.

■ SERVICE

- Have your power tool serviced by RONIX service center using only identical replacement parts. This will ensure that the safety of the power tool is maintained.
- Never service damaged battery packs. Service of battery packs should only be performed by the manufacturer or authorized service providers.

■ SAFETY INSTRUCTIONS FOR AIR BLOWERS

- Always use safety goggles, hard hat and respirator when using blower.
- When using a blower, never point the nozzle at anyone in the vicinity.
- Do not pick up smoldering cigarette ash, freshly cut metal shavings, screws, nails, or similar materials.
- Do not expose to rain and Store indoors.
- Never block the suction and / or outlet of the blower. High engine speed can cause dangerous damage to the fan.
- The blower is not intended for use by children or unattended people without supervision.

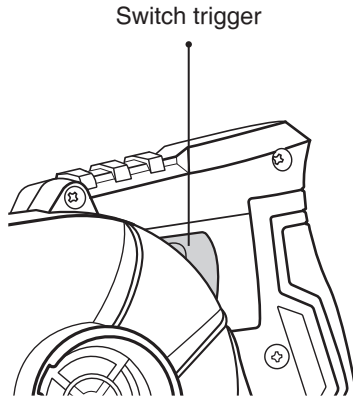
DESCRIPTION OF FUNCTION

⚠ WARNING!

- Always be sure the tool is switched off and unplugged before adjusting or checking the operation of the tool.

ON / OFF SWITCH

To start the machine, pull the switch trigger
Release the switch trigger to stop.



SPEED CONTROL

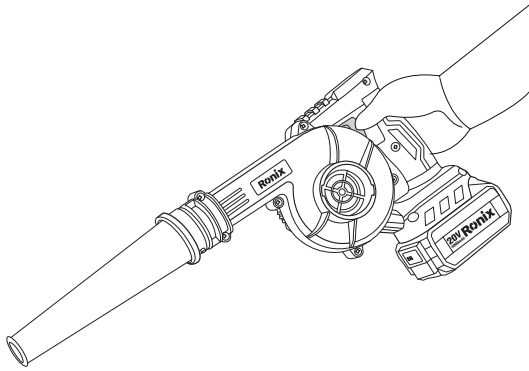
The speed is increased by increasing pressure on the switch trigger

EXPLOITATION

⚠ WARNING!

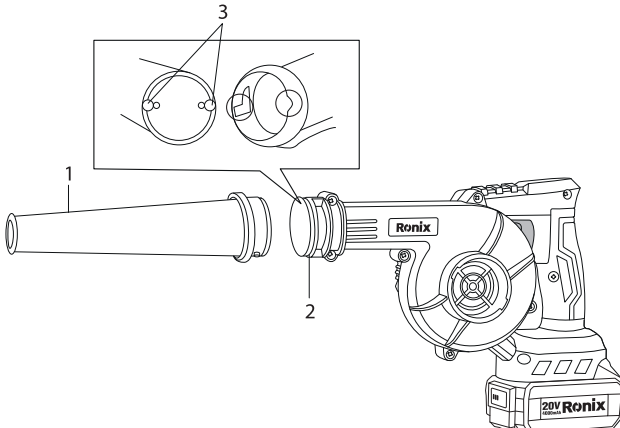
When carrying out work, be sure to hold the tool by the handle .Do not touch metal parts

Do not use the tool to inflate any objects such as air mattresses, balls, etc.



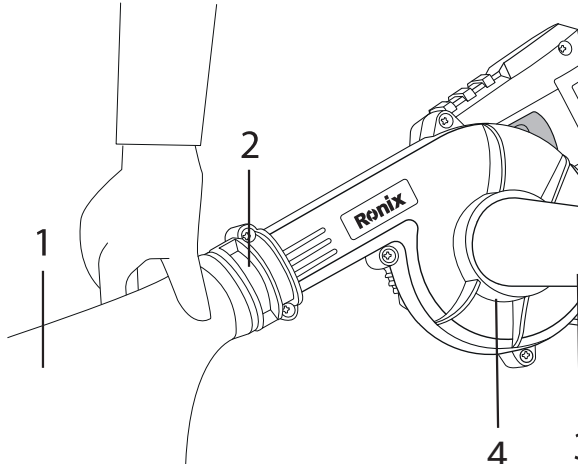
BLOWER

For purging and install the branch pipe (1) on the blower outlet (2). Turn it clockwise until it clicks.

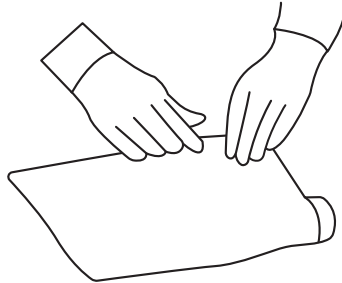


SUCTION MODE

For suction, place the inlet (3) on the suction port (4) and the dust bag (1) to the blower outlet (2). Turn clockwise until it clicks.



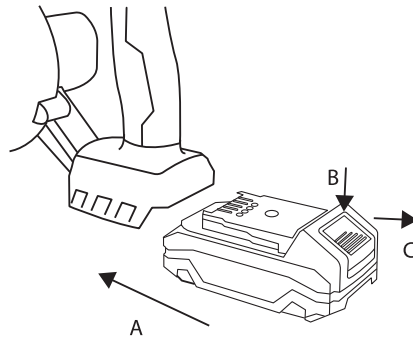
When the bag is full, empty the contents of the dust bag into the trash can.



INSTALL OR RELEASE THE BATTERY

To install the battery, push the battery by arrow(A). You can hear a “click”, indicating that the battery pack has been installed.

To remove the battery, press the release button by arrow(B) and pull the battery by arrow(C).



MAINTENANCE & SERVICE

■ MAINTENANCE AND CLEANING ATTENTION!

Make sure the tool is switched off and unplugged before checking or performing maintenance.

Every time after finishing work, it is recommended to clean the body of the instrument and the ventilation openings from dirt and dust with a soft cloth or napkin. It is recommended to remove stubborn dirt with a soft cloth dampened with soapy water. It is unacceptable to use solvents to eliminate contamination: gasoline, alcohol, ammonia solutions, etc. The use of solvents can damage the body of the instrument.

The tool does not require additional lubrication.

STORAGE AND TRANSPORTATION

Store the instrument in closed rooms with natural ventilation in packaging at an air temperature of 0 ° C to + 50 ° C and an air humidity of no more than 80%. Products can be transported by any type of closed transport in the manufacturer's packaging or without it, while preserving the product from mechanical damage, atmospheric precipitation. Remove the battery and replacement tool from the tool before transporting it.

Ronix[®]
Premium Quality

www-ronixtools.com