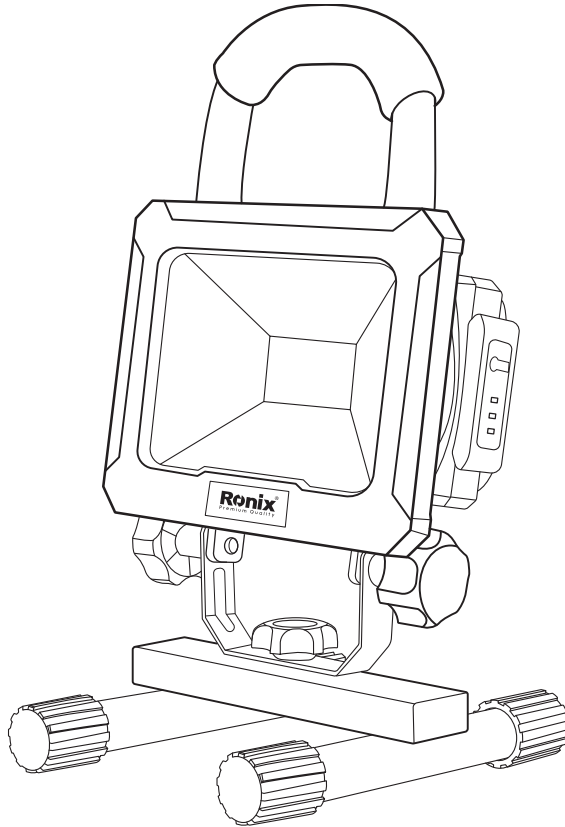


Ronix[®]

Premium Quality

CORDLESS FLOOD LIGHT

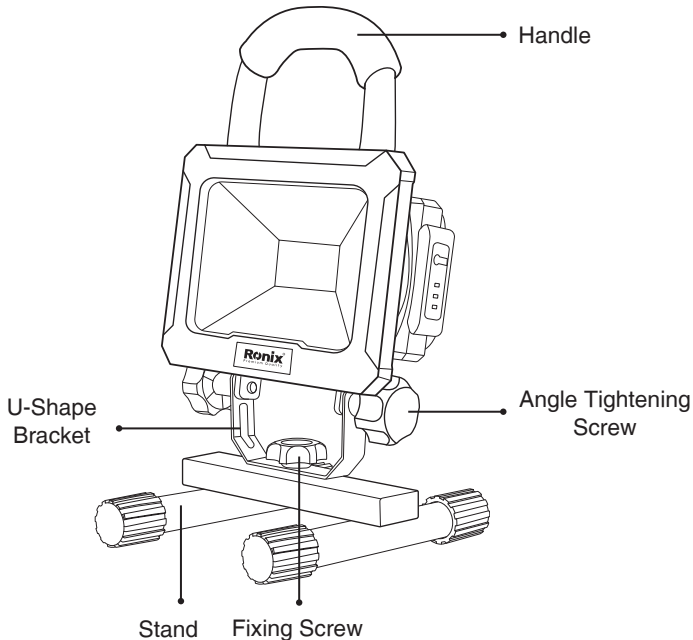
8607



TECHNICAL SPECIFICATIONS

Model	8607
Power	30W
Battery	2000mAh/20V
Battery Charging Time	60 min
Illumination Range	1200m
CCT	5500-6000K (cool white)
Dimension	146x164x280mm
Runtime	2h
Body Material	die-casting aluminum /ABS
Handel Material	EVA
light type	60 pcs SMD 2835
Rotation angle	90 vertically 360 horizontally
Degree of protection	IP20
Weight	1280g
Supplied In	color box
Flux	High: 2000lm Med: 1000lm low: 500lm

PART LIST



ON/OFF/LIGHT INTENSITY SWITCH

Your work light is equipped with on/off switch located on the side of the work light. This switch controls light intensity with 3 modes. (LOW, MED, HIGH)

OPERATION

- a) Press switch button to Turn ON/OFF/INTENSITY the Light
- b) The light can Powered by Ronix 20V Battery

■ LED WORK LIGHT USE AND CARE

- a) Do not use product if switch does not turn it on or off. A product that cannot be controlled with the switch is dangerous and must be repaired.
- b) Disconnect battery pack from product before making any adjustments,

changing accessories, or storing the product. Such preventive safety measures reduce the risk of starting the product accidentally.

c) Keep the product and its handle dry, clean and free from oil and grease. Always use a clean cloth when cleaning. Never use brake fluids, gasoline, petroleum-based products, or any strong solvents to clean your product. Following this rule will reduce the risk of loss of control and deterioration of the enclosure plastic.

d) To reduce the risk of electric shock, do not use this light near water.

e) Clean only with dry cloth.

f) Do not operate near any heat sources such as radiators, heat registers, stoves, or other apparatus (including amplifiers) that produce heat.

Ronix[®]
Premium Quality