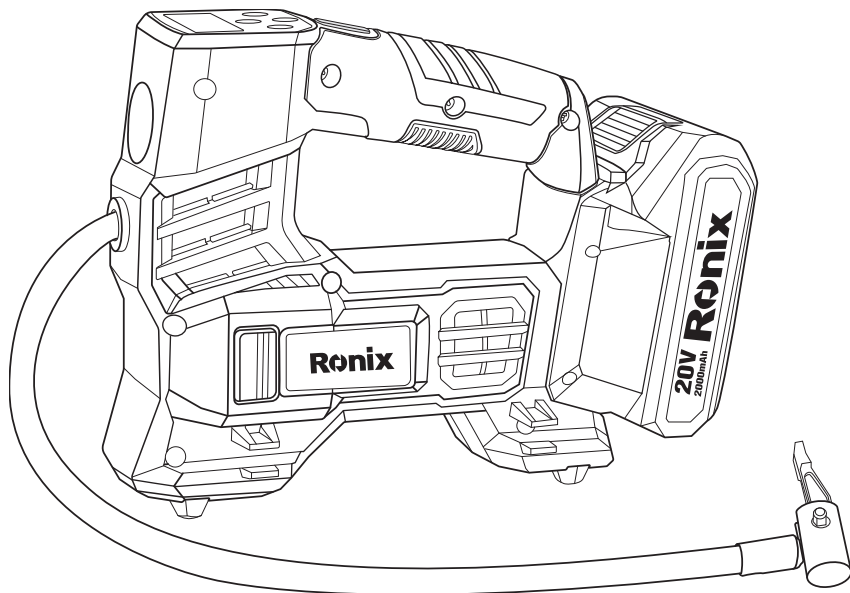


# Ronix<sup>®</sup>

Premium Quality

**CORDLESS MINI COMPRESSOR**

**8605**

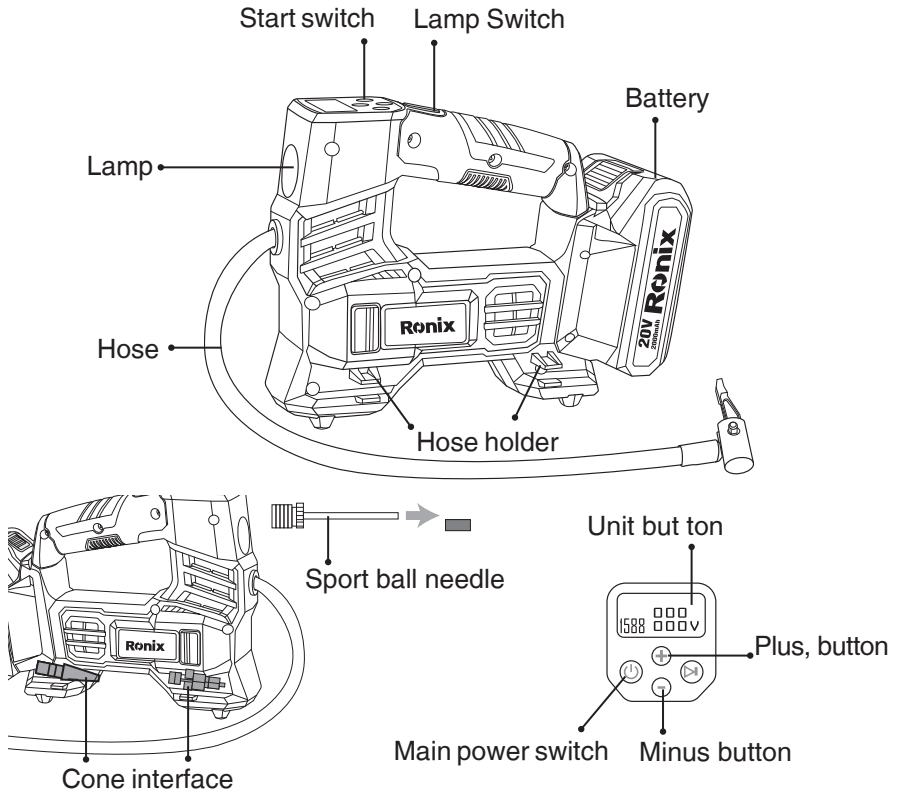


[www.ronixtools.com](http://www.ronixtools.com)

## TECHNICAL SPECIFICATIONS

Model	8605
Battery Chemistry	Lithium-Ion
Battery Voltage	20V
Battery Capacity	2Ah
Max Pressure	1035kpa/150PSI/10.35Bar
Maximum Air Flow	16 L/min
Continuous Working Time (All Diodes)	23min
Inflator Hose Length	40cm
Battery Charging Time	60min
Flux	120Lm
Weight	1.3kg
Supplied in	Ronix color box
Includes	Ball Adaptor, Tire Valve Adaptor, 1pc 2.0Ah Battery, 1pc 2.0A Charger

## PART LIST



## GENERAL SAFETY RULES

### FOR ALL BATTERY-OPERATED TOOLS

**⚠ WARNING!**

**READ AND UNDERSTAND ALL INSTRUCTIONS.**

Failure to follow all instructions listed below may result in electric shock, fire and/or serious personal injury.

## **WORK AREA**

- 1) Keep your work area clean and well lit. cluttered benches and dark areas invite accidents.
- 2) Flammable liquids, gases, or dust. Power tools create sparks which may ignite the dust or fumes. Do not operate power tools in explosive atmospheres, such as in the presence of flammable liquids, gases, or dust.
- 3) Keep bystanders, children, and visitors away while operating a power tool. Distractions can cause you to lose control.

## **ELECTRICAL SAFETY**

- 4) Do not abuse the cord. Never use the cord to carry the tool. Keep cord away from Heat, oil, sharp edges, or moving parts. Replace damaged cords immediately. Damaged cords may create a fire.  
Applies only to tools with a separable battery pack:
- 5) A battery-operated tool with integral batteries or a separate battery pack must be Recharge only with the specified charger for the battery. A charger that may be suitable for one type of battery may create a risk of fire when used with another battery.
- 6) Use battery operated tool only with specifically designated battery pack. Use of any other batteries may create a risk of fire.

## **PERSONAL SAFETY**

- 7) Stay alert, watch what you are doing, and use common sense when operating a power tool. Do not use tool while tired or under the influence of drugs, alcohol, or medication. A moment of inattention while operating power tools may result in serious personal injury.
- 8) Dress properly. Do not wear loose clothing or jewelry. Contain long hair. Keep your hair, clothing, and gloves away from moving parts. Loose clothes, jewelry, or long hair can be caught in moving parts.

- 9) Avoid accidental starting. Be sure switch is in the locked or off position before inserting battery pack. Carrying tools with your finger on the switch or inserting the battery pack into a tool with the switch on invites accidents.
- 10) Remove adjusting keys or wrenches before turning the tool on. A wrench or a key that is left attached to a rotating part of the tool may result in personal injury.
- 11) Do not overreach. Keep proper footing and balance at all times. Proper footing and balance enable better control of the tool in unexpected situations.
- 12) Use safety equipment. Always wear eye protection. Dust mask, non-skid safety shoes, hard hat, or hearing protection must be used for appropriate conditions.

## **TOOL USE AND CARE**

- 13) Use clamps or other practical way to secure and support the work piece to a stable platform. Holding the work by hand or against your body is unstable and may lead to loss of control.
- 14) Do not force tool. Use the correct tool for your application. The correct tool will do the job better and safer at the rate for which it is designed.
- 15) Do not use tool if switch does not turn it on or off. A tool that cannot be controlled with the switch is dangerous and must be repaired.
- 16) Disconnect battery pack from tool or place the switch in the locked or off position before making any adjustments, changing accessories, or storing the tool. Such preventive safety measures reduce the risk of starting the tool accidentally.
- 17) Store idle tools out of reach of children and other untrained persons. Tools are dangerous in the hands of untrained users.
- 18) When battery pack is not in use, keep it away from other metal objects like: paper clips, coins, keys, nails, screws, or other small metal objects that can make a connection from one terminal

to another. Shorting the battery terminals together may cause sparks, burns, or a fire.

19) Maintain tools with care. Keep cutting tools sharp and clean. Properly maintained tools with sharp cutting edge are less likely to bind and are easier to control.

20) Check for misalignment or binding of moving parts, breakage of parts, and any other condition that may affect the tool's operation. If damaged, have the tool serviced before using. Many accidents are caused by poorly maintained tools.

21) Use only accessories that are recommended by the manufacturer for your model. Accessories that may be suitable for one tool may create a risk of injury when used on another tool.

## **SERVICE**

22) Tool service must be performed only by qualified repair personnel. Service or maintenance performed by unqualified personnel may result in a risk of injury.

23) When servicing a tool, use only identical replacement parts.

## **IMPORTANT CHARGING NOTES**

1) Do not store in locations where the temperature may exceed 40°C.

2) Charge only at ambient temperatures between 4°C and 40°C.

3) Charge only using the charger provided with the tool as other chargers might use different amperages and can damage or destroy your battery and /or screwdriver

4) Unplug charger before attempting to clean.

5) Do not immerse charger in water or any other liquid.

6) Charging time around 1 hour

### **⚠ CAUTION!**

Never attempt to open the battery pack for any reason. If the plastic housing of the battery pack breaks or cracks, return it to a service center for recycling.

**⚠ WARNING!**

Do not allow liquid to enter charger. Electric shock could result. To cool the battery pack after use, avoid placing the charger in a warm environment such as in a metal shed or non-insulated trailer. Ronix service Authorized Service Center.

## **CORDLESS INFLATOR SAFETY WARNING**

- 1) When inflating objects, connect the air chuck, adapter, and valve tightly. Otherwise, the object, hose, air chuck, or adapter may be damaged and you may be injured.
- 2) Release air pressure slowly. When removing the hose after inflating objects, hold the object, hose, and air chuck firmly. The object, air chuck, or adapter may bounce due to exhaust air and cause an injury.
- 3) Do not inflate objects beyond the maximum pressure of the object. Otherwise, the tool or object may be damaged and you may be injured.
- 4) Do not use the tool beyond the maximum output pressure of the tool. Using at output pressure greater than the maximum output pressure of the tool may burst the object or the tool.
- 5) Inflate the objects intended to be inflated by the manufacturer only, such as tire, sport ball, or small floating tube. Inflating other objects may damage them and cause an injury.
- 6) When inflating objects, check the pressure gauge, status of the tool and object, and check that there is no air leak. Otherwise, the tool or object may be damaged and cause an injury.
- 7) When carrying the tool, hold the handle of the tool. Do not hold or pull the hose. The tool may be damaged and cause an injury.
- 8) After inflating objects, check the air pressure using a reliable and calibrated measuring equipment. Use the pressure gauge of the tool only as a reference.
- 9) After using the tool for 5 minutes continuously, stop using the

tool for 5 minutes for cooling down. Do not use the tool beyond the continuous operating time allowed. Otherwise, the tool may be damaged and cause an injury.

10) Do not use the tool on sand or dusty surface. Foreign objects may enter the inside of the tool and cause a malfunction.

11) Do not point the outlet of the hose to yourself or others. Objects may be blown away and cause an injury.

12) Do not point the outlet of the hose to dust or similar. The dust may be scattered and cause an injury.

13) Do not inflate large capacity objects. If you inflate a large capacity object, the tool may become extremely hot and could burn your skin.

14) Do not touch the tool, hose, air chuck, or adapter right after inflating objects. The metal parts may become extremely hot and could burn your skin.

15) Do not use the tool with wet hands.

16) When folding the clamp of air chuck, be careful not to pinch your fingers between the air chuck and clamp.

17) Make sure that the hose is not entangled. The entangled hose may cause loss of balance and cause an injury.

18) Never leave the tool unattended when the hose is attached to the object or during operation.

19) Do not use the tool as a breathing device.

20) Do not use the tool to spray chemicals. Your lungs may be damaged by inhaling toxic fumes.

21) Operate the tool in an open area at least 50cm away from any wall or object that could restrict air flow to ventilation opening.

22) Do not disassemble the tool.

23) Use only standard accessories provided by Ronix. The use of any other accessories or attachments might present a risk of injury to persons.

24) This tool is for household use only.

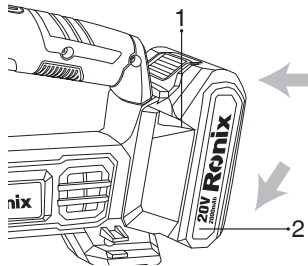


## FUNCTIONAL DESCRIPTION

### **⚠ CAUTION!**

Always be sure that the tool is switched off and the battery cartridge is removed before adjusting or checking function on the tool.

## INSTALLING OR REMOVING BATTERY CARTRIDGE



1. Button 2. Battery cartridge

To remove the battery cartridge, slide it from the tool while sliding the button on the front of the cartridge. To install the battery cartridge, align the tongue on the battery cartridge with the groove in the housing and slip it into place. Insert it all the way until it locks in place with a little click. If you can see the red indicator on the upper side of the button, it is not locked completely.

### **⚠ CAUTION!**

Always install the battery cartridge fully until the red indicator cannot be seen. If not, it may accidentally fall out of the tool, causing injury to you or someone around you.

### **⚠ CAUTION!**

Do not install the battery cartridge forcibly. If the cartridge does not slide in easily, it is not being inserted correctly.

## INDICATING THE REMAINING BATTERY CAPACITY

Press the check button on the battery cartridge to indicate the remaining battery capacity. The indicator lamps light up for a few seconds.

### **NOTE!**

Depending on the conditions of use and the ambient temperature, the indication may differ slightly from the actual capacity.

## BATTERY PROTECTION SYSTEM

The tool is equipped with a battery protection system. This system automatically cuts off power to the motor to extend battery life. The tool will automatically stop during operation if the tool and/or battery are placed under one of the following conditions:

### ■ **OVERLOADED**

The tool is operated in a manner that causes it to draw an abnormally high current.

In this situation, turn the tool off and stop the application that caused the tool to become overloaded. Then turn the tool on to restart.

If the tool does not start, the battery is overheated. In this situation, let the battery cool before turning the tool on again.

### ■ **LOW BATTERY VOLTAGE**

The remaining battery capacity is too low and the tool will not operate. If you turn the tool on, the motor runs again but stops soon. In this situation, remove and recharge the battery.

## MAIN POWER SWITCH

### ⚠️ WARNING!

Always turn off the main power switch when not in use.

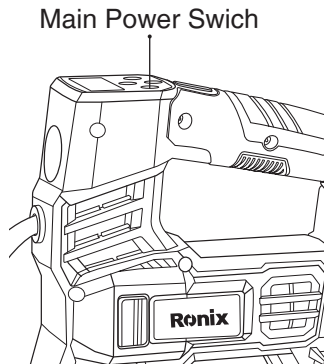
### ⚠️ CAUTION!

When carrying the tool, turn off the main power switch. Otherwise, pulling the switch trigger unintentionally may cause an injury.

To turn on the tool, press the main power switch. To turn off the tool, press the main power switch again.

### ⚠️ NOTE!

This tool employs the auto power-off function. To avoid unintentional start up, the main power switch will automatically shut down when the switch trigger is not pulled for a certain period after the main power switch is turned on.



## STARTING

### ⚠️ WARNING!

Before installing the battery cartridge into the tool, always check to see that the switch trigger actuates properly and returns to the "OFF" position when released.

To start the tool, simply pull the start switch. Release the start switch to stop.

If the object to be inflated is connected to the tool, the air pressure of the object is displayed on the pressure gauge when you turn on the tool. If nothing is connected to the tool, the pressure gauge displays "0".

You can set the air pressure on the pressure gauge. While holding down the + key, change the - key to stabilize the unit. To increase the pressure value, press the plus button. To decrease the pressure value, press the minus button. You can set the pressure value between 20 kPa (3 PSI) and 1035 kPa (150 PSI).

## LIGHTING UP THE FRONT LAMP

### CAUTION!

Do not look in the light or see the source of light directly.

The device light can be turned on by pressing the lamp key on the handle of the device. If the light is on, pressing the light switch again will activate the flashing mode.

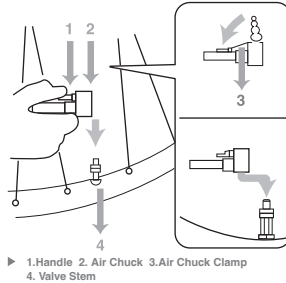
### NOTE!

Use a dry cloth to wipe the dirt off the lens of the lamp. Be careful not to scratch the lens of lamp, or it may lower the illumination.

## OPERATION

### ■ USING THE ENGLISH VALVE ADAPTOR

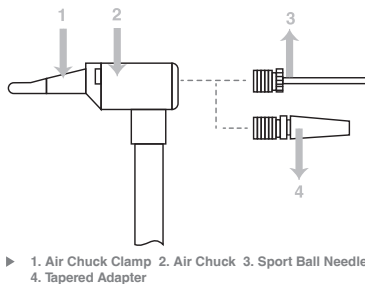
- 1) Open the handle
- 2) Insert the English valve adapter into the air chuck.
- 3) Fold the air chuck clamp firmly.
- 4) Adjust the pressure on the device.
- 5) Turn on the device to start the blowing operation.



## USING THE SPORT BALL NEEDLE OR TAPERED ADAPTER

You can inflate small items such as sport balls or floating tubes. To inflate sport balls, use the sport ball needle. To inflate floating tubes, use the tapered adapter.

- 1) Unfold the air chuck clamp.
- 2) Attach the sport ball needle or tapered adapter to the air chuck.
- 3) Fold the air chuck clamp firmly.
- 4) Insert the sport ball needle or tapered adapter into the hole on the item.
- 5) Turn on the tool, and then set the appropriate pressure value using the pressure gauge.
- 6) Keep pulling the switch trigger until the tool stops. The item is with the pressure.



### **NOTE!**

Always be sure that the tool is switched off and the battery cartridge is removed before attempting to perform inspection or maintenance.

**⚠ NOTE!**

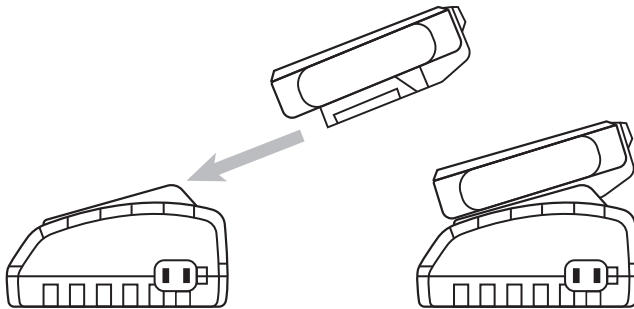
Never use gasoline, benzene, tinner, alcohol or the like. Discoloration, deformation or cracks may result.

## BATTERY CHARGER OPERATION

1) You **MUST** understand the whole Instruction Manual before any operation. Slide the Battery into the Battery Charger by lining up the terminals on both. It will be secured with an affirmative \*click! \*.

**⚠ NOTE!**

To remove the battery, press the Battery Release Button whilst pulling away from the Battery Charger

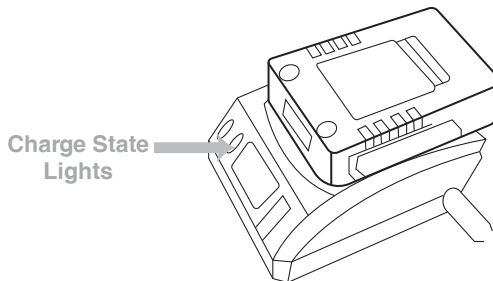


2) Plug in the Battery Charger, then turn on the power source.

3) The Charge State Lights will indicate the following:

**Solid Red:** Charging

**Solid Green:** Fully charged





**Ronix**<sup>®</sup>  
Premium Quality

[www.ronixtools.com](http://www.ronixtools.com)