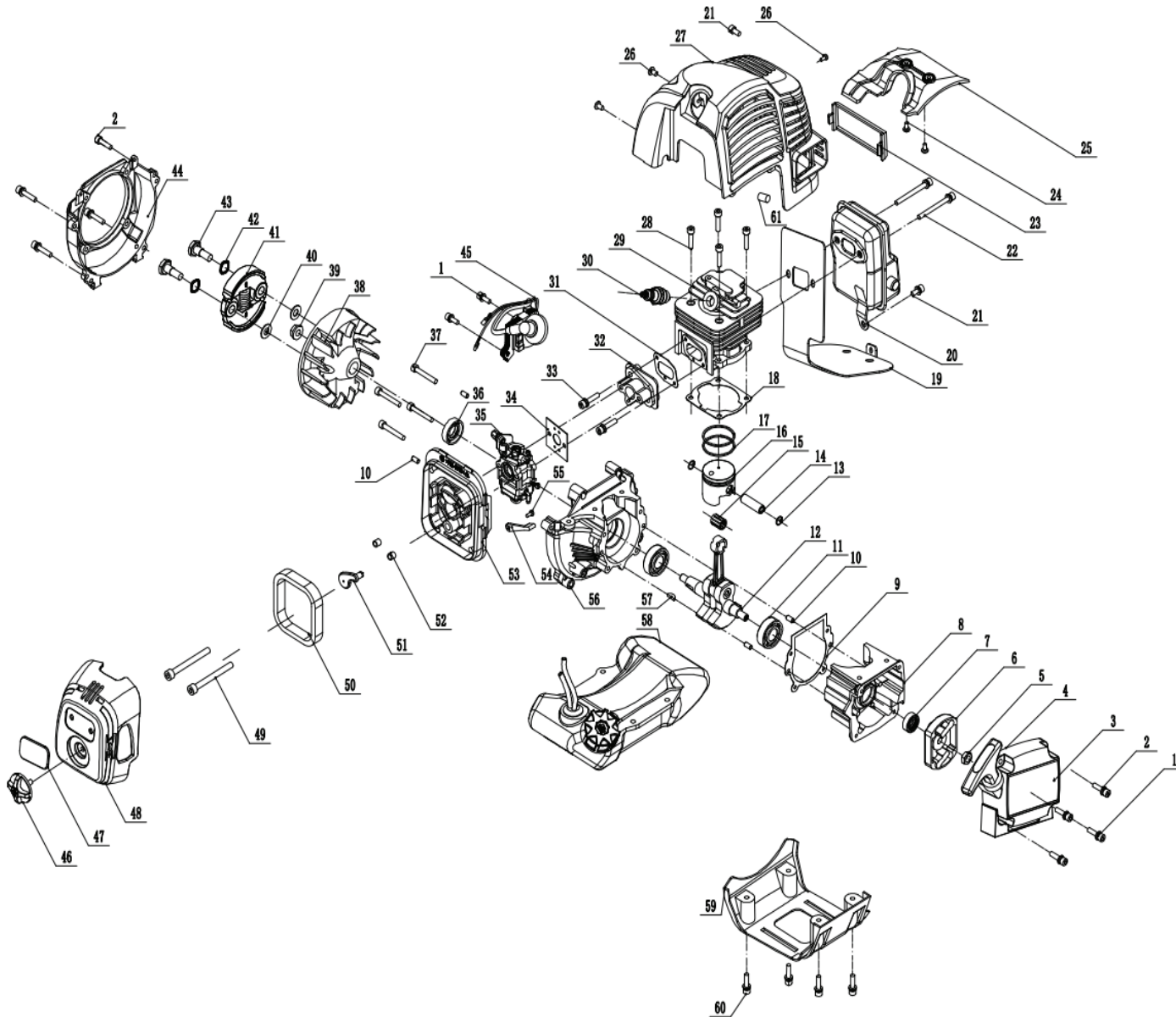


Number	Name
1	Engine
2	House assy
3	Hexagon socket head screw M5×12
4	Hexagon socket head combination screw M6×30
5	throttle clamp
6	Throttle assy
7	Hexagon socket head combination screw M6×25
8	Bow plate holder
9	Hex Nut M6 Black
10	Bow plate
11	Sponge cover
12	Handle shock absorber
13	Aluminum tube assembly (with oil bushing) 740×26×1.5
14	Hex Nut M5
15	P-type handle (below)
16	P-type handle (upper)
17	Hexagon socket head combination screw M5×35
18	Hexagon Nut M6 White
19	Quick release
20	Aluminum pipe plug
21	Quick connect plug
22	Hexagon socket head combination screw M5×25
23	Fender press plate
24	Hexagon socket head combination screw M5×14
25	Gearbox assembly
26	Three-tooth blade (with sheath)
27	Nylon trimmer head
28	Small blade
29	Pan head tapping screw ST4×12
30	Type I grass guard

Number	Name
31	Transmission shaft 762×8×9T
32	Aluminum tube assembly (with oil bushing) 950×26×1.5
33	Transmission shaft 965×8×9T
34	High branch cutting head assembly
35	Scissors sheath
36	High branch saw head assembly without Bar&chain
37	Bar
38	Chain
39	Guide cover



Number	Name
1	Hexagon socket head combination screw M5×20
2	Hexagon socket head combination screw M5×25
3	Starter assembly Kawasaki
4	Start the handle
5	M8×1.25
6	Easy dial
7	Oil seal Φ12×Φ22×7
8	Right box Kawasaki
9	Box paper pad
10	Locating pin Φ5×10
11	Deep groove ball bearing 6202-P5
12	crankshaft
13	Piston pin retaining ring Φ10
14	Piston pin
15	Needle bearing 10×14×16
16	Piston
17	Piston ring
18	Cylinder paper gasket
19	Muffler paper pad FU type
20	Silencer
21	Hexagon socket head combination screw M5×12 large flat washer
22	Hexagon socket head combination screw M6×60 half thread
23	Cylinder cover plate
24	Pan head tapping screw ST4×8
25	Deflector TN type
26	Large flat head Phillips screw M4×10
27	Cylinder cover TN type
28	Hexagon socket head screw combination M5×25

4805

Gasoline Multi tools

Number	Name
29	Cylinder
30	Spark plug
31	Air intake pipe paper pad glue-free
32	Intake pipe
33	Hexagon socket head flange screw M5×30
34	Carburetor paper pad
35	Carburetor
36	Oil seal $\Phi 15 \times \Phi 30 \times 7$
37	Hexagon socket head screw combination M5×35
38	Magnetic flywheel
39	Flange face nut M8×1.25 thickened
40	Flat pad $\Phi 8 \times \Phi 16 \times 1.5$
41	Clutch assembly
42	Wave pad $\Phi 10 \times \Phi 16 \times 0.4$
43	Step bolt M8×24
44	Side cover Kawasaki
45	High pressure bag FU type ordinary cap
46	Air filter lock nut FU type
47	Air filter plate TN type
48	Air filter cover TN type
49	Hexagon socket head cap screw M5×50
50	Air filter sponge FU type
51	Air damper JN type (FU type)
52	Air filter bracket spacer $\Phi 5 \times \Phi 7 \times 7\text{mm}$
53	Air filter bracket FU type
54	Throttle handle JN type (FU type)

Number	Name
55	Large flat head tapping screw ST3×8
56	Left box
57	Half round key 3×13
58	Vertical oiler assembly Kawasaki
59	Oil bottle protector Kawasaki
60	Hexagon socket head combination screw M5×20 large flat washer
61	Pointed M5