

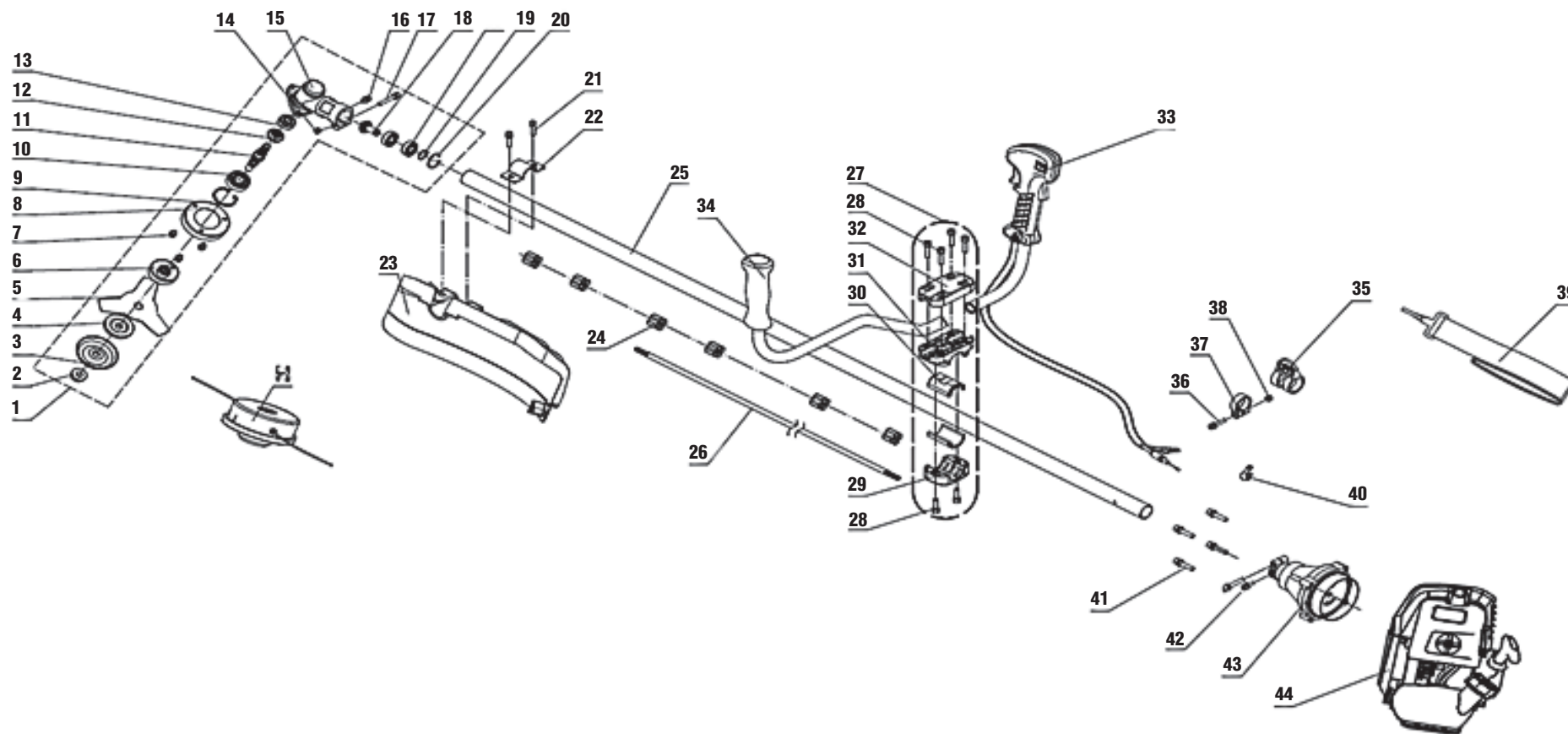
4554

Gasoline Brush Cutter 1350W

Number	Name
N73	BRANKET, TANK
N72	TANK
N71	FUEL FILTER
N70	PIPE SET
N69	FUEL PIPE
N68	CLIP
N67	EQUILIBRATOR
N66	CAP
N65	FUEL TANK ASS"Y
N64	STARTER KNOB
N63	STARER ROPE
N62	STARTER
N61	NUT
N60	SPRING
N59	REEL
N58	TORSIO SPRING
N57	RATCHET
N56	SCREW
N55	STARTER ASS"Y
N54	NUT M8
N53	PULLET
N52	OIL SEAL 12x22x7
N51	RIGHT CRANKCASE
N50	GASKET, CRANKCASE
N49	CRANKSHAFT
N48	WOODRUFF KEY
N47	BEARING 6202
N46	LEFT CRANKCASE
N45	BOLT M5x35
N44	OIL SEAL 10x30x7
N43	PIN R5x10
N42	BRAND BADGE
N41	KNOB
N40	COVER, FILTER

Number	Name
N39	ELEMENT
N38	BOLT M5x55
N37	AIR FILTER SET
N36	CARBURATOR
N35	GASKET,CARBURATOR
N34	INLET PIPE
N33	GASKET,INLET PIPE
N32	NEEDLE BEARING
N31	SNAP RING, PISTON PIN
N30	PISTON PIN
N29	PISTON
N28	PISTON RING
N27	GASKET, CYLINDER
N26	CYLINDER
N25	GASKET,MUFFLER
N24	BOLT M4x14
N23	MUFFLER
N21	BOLT M6x55
N20	BRAND BADGE
N19	ST4x8
N18	TOP COVER
N17	COVER, CYLINDER
N16	BOLT M4x12
N15	BOLT M5x10
N14	BOLT
N13	BOLT M5x20
N12	SPARK PLUG
N11	CAP,SPARK PLUG
N10	IGNITION COIL
N9	BOLT M5x20
N8	FLYWHEEL
N7	FLANGE NUT M8
N6	WASHER
N5	CLUTCH

Number	Name
N4	WASHER
N3	SCREW,CLUTCH
N2	SIDE COVER
N1	BOLT M5x25



Number	Name
44	Engine
43	Output sert assembly
42	Bolt M5x12
41	Bolt M6x25
40	Throttle clamp
39	Single hook shoulder strp
38	Nut M5
37	Lock
36	Bolt M5x20
35	Rings
34	Lefe handle
33	Throttle handle assembly
32	Handle fixing seat(4)
31	Handle fixing seat(6)
30	handle mount shockabsorption
29	Handle fixing seat(2)
28	BOLT M6x25
27	Handle fixing seat assembly
26	Transmission shaft
25	Pipe R26/R28
24	Oil bearing
23	Grass fender
22	Grass fender press
21	Bolt M6x30
20	Ring for hole R26
19	Ring for hole R10
18	Driving gear
17	Bolt M5x25
16	Butter mouth
15	Gearbox
14	Locknut M5
13	Bearing 6000

Number	Name
12	Passive gear
11	Cpline shaft
10	Bearing 6002
9	Ring for hole R32
8	Dust cover
7	Bolt M5x10
6	Lower plate
5-2	GRASS head
5	3 tooth blade
4	Upper plate
3	Protective cover
2	Nut M10
1	Gear box assembly