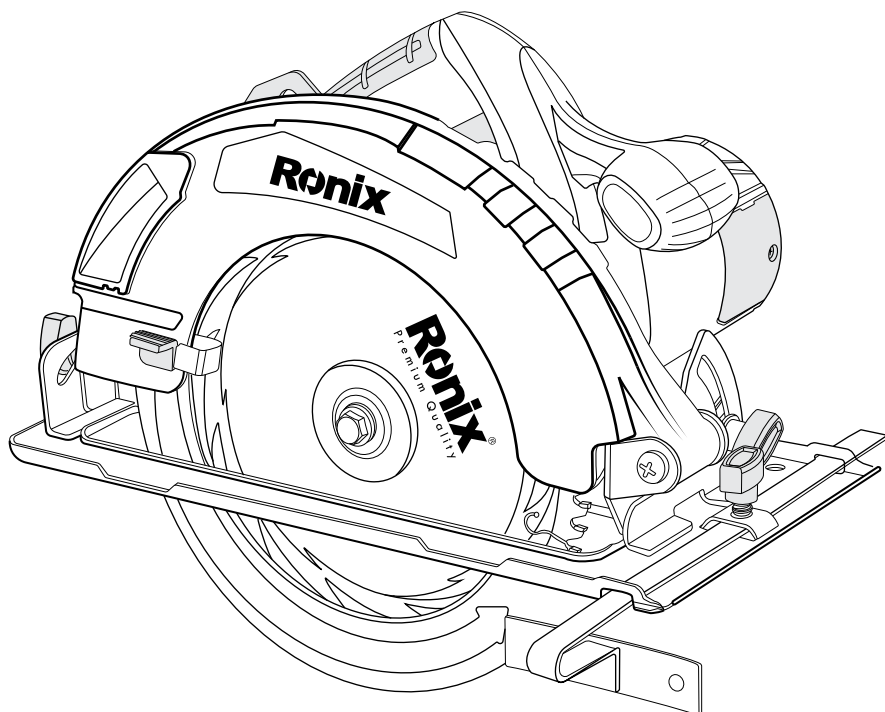


Ronix®

Premium Quality

CIRCULAR SAW 235MM

4323



www.ronixtools.com

12
MONTHS
GUARANTY

FREE
DELIVERY

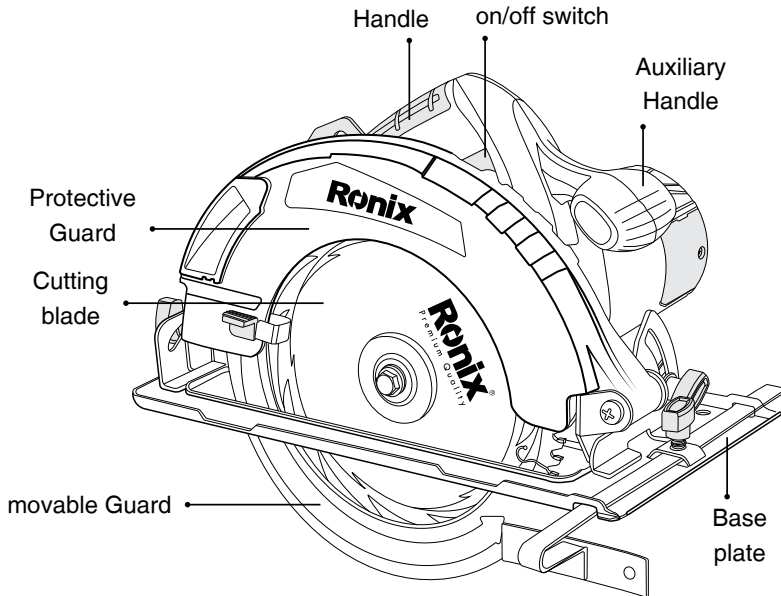
BANK
SPARE PARTS

CALL
CENTER
02161904

SPECIFICATION

Model	4323
Rated Voltage	220V
Rated Frequency	50/60Hz
Power	2800W
No Load Speed	4600r/min
Blade Diamete	235mm
Max Cutting Capacity	85mm
NET WEIGHT	7.7KGS
Accessories	ruler : 1pc spaner: 1pc Circular saw blade 230x1.6x2.4x60T: 1pc Carbon brush: 1pair

PART LIST



GENERAL POWER TOOL SAFETY RULES

- Read all safety warnings and all instructions. Failure to follow the warnings and instructions may result in electric shock, fire and/or serious injury.
- Save all warnings and instructions for future reference.
- The term «power tool» in the warnings refers to your mains-operated (corded) power tool or battery-operated (cordless) power tool.

■ WORK AREA SAFETY

- Keep work area clean and well lit. Cluttered or dark areas invite accidents.
- Do not operate power tools in explosive atmospheres, such as in the presence of flammable liquids, gases or dust. Power tools create sparks which may ignite the dust or fumes.
- Keep children and bystanders away while operating a power tool. Distractions can cause you to lose control.

■ ELECTRICAL SAFETY

- Power tool plugs must match the outlet. Never modify the plug in any way. Do not use any adapter plugs with earthed (grounded) power tools. Unmodified plugs and matching outlets will reduce risk of electric shock.
- Avoid body contact with earthed or grounded surfaces such as pipes, radiators, ranges and refrigerators. There is an increased risk of electric shock if your body is earthed or grounded.
- Do not expose power tools to rain or wet conditions. Water entering a power tool will increase the risk of electric shock.
- Do not abuse the cord. Never use the cord for carrying, pulling or unplugging the power tool. Keep cord away from heat, oil, sharp edges or moving parts. Damaged or entangled cords increase the risk of electric shock.
- When operating a power tool outdoors, use an extension cord suitable for outdoor use. Use of a cord suitable for outdoor use reduces the risk of electric shock.
- If operating a power tool in a damp location is unavoidable, use a ground fault circuit. Interrupter (GFCI) protected supply. Use of a GFCI

reduces the risk of electric shock.

■ PERSONAL SAFETY

- Stay alert, watch what you are doing and use common sense when operating a power tool. Do not use a power tool while you are tired or under

the influence of drugs, alcohol or medication. A moment of inattention while operating power tools may result in serious personal injury.

- Use personal protective equipment. Always wear eye protection. Protective equipment such as dust mask, non-skid safety shoes, hard hat, or hearing protection used for appropriate conditions will reduce personal injuries.

- Prevent unintentional starting. Ensure the switch is in the off-position before connecting to power source and/ or battery pack, picking up or carrying the tool. Carrying power tools with your finger on the switch or energizing power tools that have the switch on invites accidents.

- Remove any adjusting key or wrench before turning the power tool on. A wrench or a key left attached to a rotating part of the power tool may result in personal injury.

- Do not overreach. Keep proper footing and balance at all times. This enables better control of the power tool in unexpected situations.

- Dress properly. Do not wear loose clothing or jewelry. Keep your hair, clothing, and gloves away from moving parts. Loose clothes, jewelry or long hair can be caught in moving parts.

- If devices are provided for the connection of dust extraction and collection facilities, ensure these are connected and properly used. Use of dust collection can reduce dust-related hazards.

■ POWER TOOL USE AND CARE

- Do not force the power tool. Use the correct power tool for your application. The correct power tool will do the job better and safer at the rate for which it was designed.

- Do not use the power tool if the switch does not turn it on and off. Any power tool that cannot be controlled with the switch is dangerous and

must be repaired.

- Disconnect the plug from the power source and/or the battery pack from the power tool before making any adjustments, changing accessories, or storing power tools. Such preventive safety measures reduce the risk of starting the power tool accidentally.
- Store idle power tools out of the reach of children and do not allow persons unfamiliar with the power tool or these instructions to operate the power tool. Power tools are dangerous in the hands of untrained users.
- Maintain power tools. Check for misalignment or binding of moving

■ **SERVICE**

- Have your power tool serviced by a qualified repair person using only identical replacement parts. This will ensure that the safety of the power tool is maintained.
- Follow instruction for lubricating and changing accessories.
- Keep handles dry, clean and free from oil and grease.

CIRCULAR SAW SAFETY WARNINGS

■ **CUTTING PROCEDURES**

DANGER:

- 1) Keep hands away from cutting area and the blade. Keep your second hand on auxiliary handle, or motor housing. If both hands are holding the saw, they cannot be cut by the blade.
- 2) Do not reach underneath the workpiece. The guard cannot protect you from the blade below the workpiece.
- 3) Adjust the cutting depth to the thickness of the workpiece. Less than a full tooth of the blade teeth should be visible below the workpiece.
- 4) Never hold piece being cut in your hands or across your leg. Secure the workpiece to a stable platform. It is important to support the work properly to minimize body exposure, blade binding, or loss of control. parts, breakage of parts and any other condition that may affect the

power tool's operation. If damaged, have the power tool repaired before use. Many accidents are caused by poorly maintained power tools.

5) Keep cutting tools sharp and clean. Properly maintained cutting tools with sharp cutting edges are less likely to bind and are easier to control.

6) Use the power tool, accessories and tool bits etc. in accordance with these instructions, taking into account the working conditions and the work to be performed. Use of the power tool for operations different from those intended could result in a hazardous situation.

7) Hold the power tool by insulated gripping surfaces only, when performing an operation where the cutting tool may contact hidden wiring. Contact with a "live" wire will also make exposed metal parts of the power tool "live" and could give the operator an electric shock.

8) When ripping, always use a rip fence or straight edge guide. This improves the accuracy of cut and reduces the chance of blade binding.

9) Always use blades with correct size and shape (diamond versus round) of arbor holes. Blades that do not match the mounting hardware of the saw will run eccentrically, causing loss of control.

10) Never use damaged or incorrect blade washers or bolt. The blade washers and bolt were specially designed for your saw, for optimum performance and safety of operation.

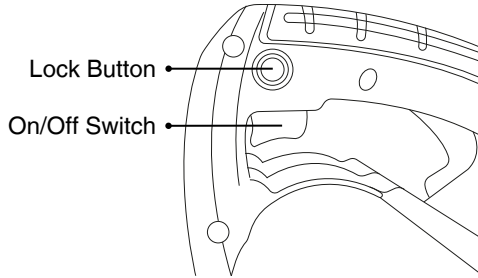
OPERATING INSTRUCTION

WARNING!

Always follow safety instructions. Do not use broken or stock blades.

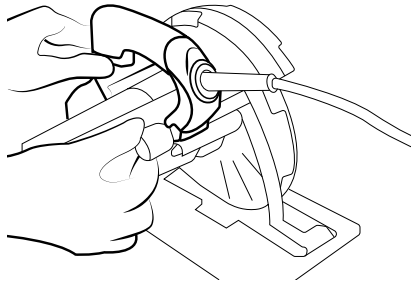
SWITCH ON/OFF

In order to turn on the device, press the on / off switch. Also, in order to keep the device on permanently, you must press the lock button inwards. In this case, pressing the switch on and off once will turn off the device.



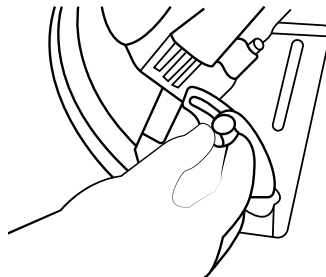
CUTTING DEPTH ADJUSTMENT

Turn the locking screw counterclockwise to loosen it. Then, with the help of a base plate, adjust the appropriate depth of the cut, and finally, turn the locking screw clockwise until it is completely tight.



CUTTING ANGLE ADJUSTMENT

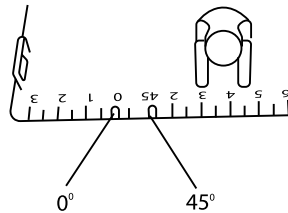
Turn the locking screw counterclockwise to loosen it. Then, with the help of a calibrated base, adjust the appropriate floor angle. Finally, turn the locking screw clockwise until it is fully tightened.



CUTTING PATH INDICATOR

For straight and consecutive cuts at a 0-degree angle, move along the zero index on the floor.

For straight and continuous cuts at a 45-degree angle, move along the index 45 on the floor.



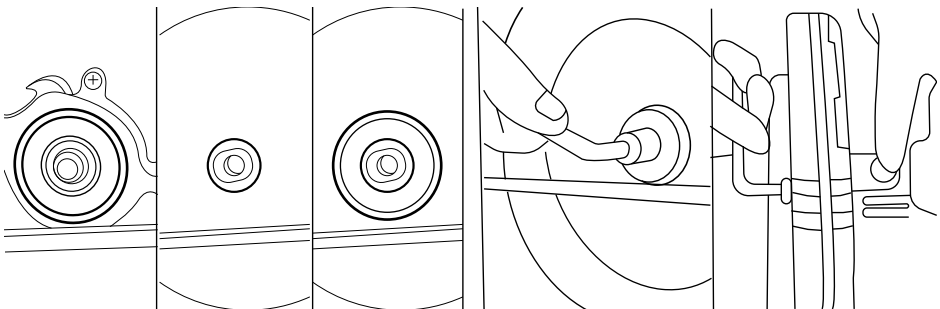
INSTALLING AND REPLACEMENT OF THE CUTTING BLADE

⚠ WARNING!

When performing the following steps, make sure the plug is not plugged in.

Follow the steps below to install or replace the cutting plate:

First, press the shaft lock button and use a special wrench to loosen the screw on it. Remove it by turning the screw clockwise. Then place the cutting plates between the washers up and down. Finally, put the nuts and bolts in place and tighten. To replace the blade, perform the previous steps in reverse.



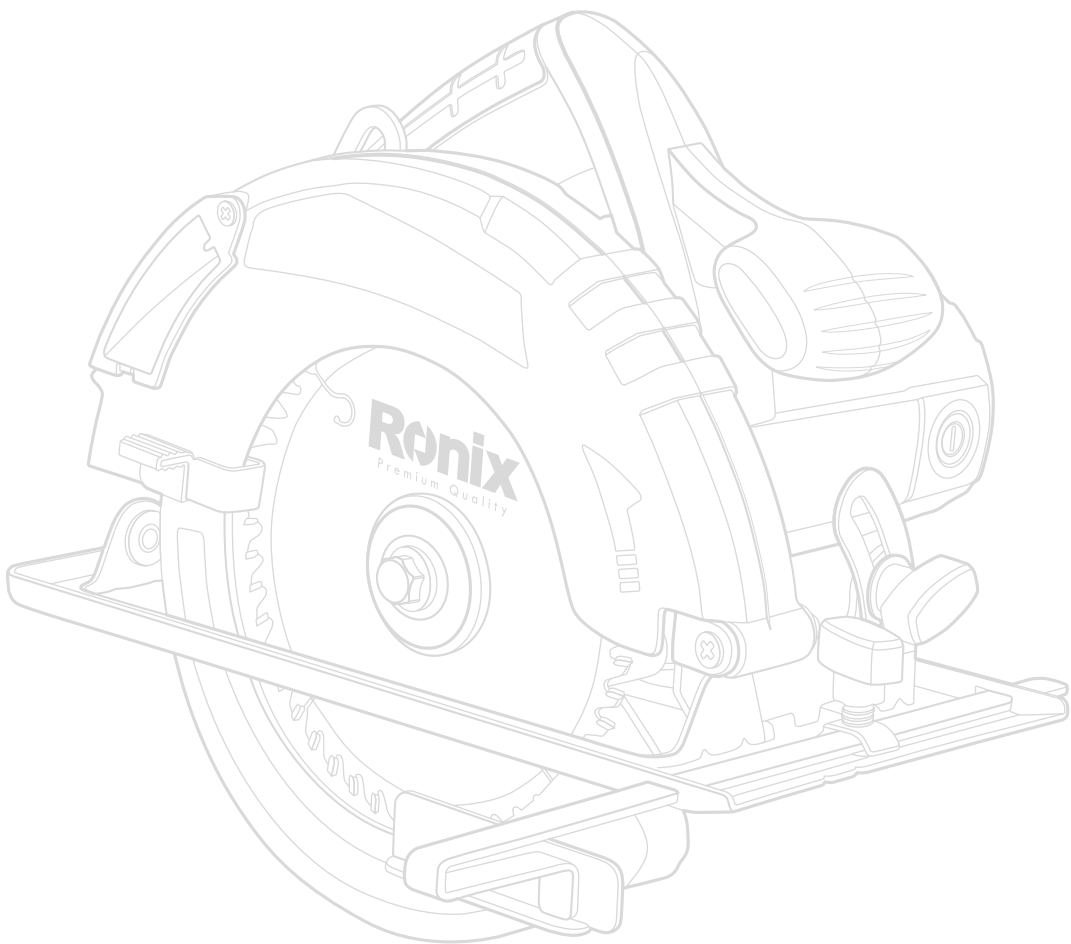
MAINTENANCE

 **CAUTION:**

- Always be sure that the tool is switched off and the battery cartridge is removed before attempting to perform inspection or maintenance.
- Never use gasoline, benzene, thinner, alcohol or the like. Discoloration, deformation or cracks may result.

 **NOTE:**

To maintain product safety and reliability repairs, any other maintenance or adjustment should be performed by Ronix Service Authorized Service Centers, always using RONIX replacement parts.



Ronix[®]
Premium Quality

www.ronixtools.com