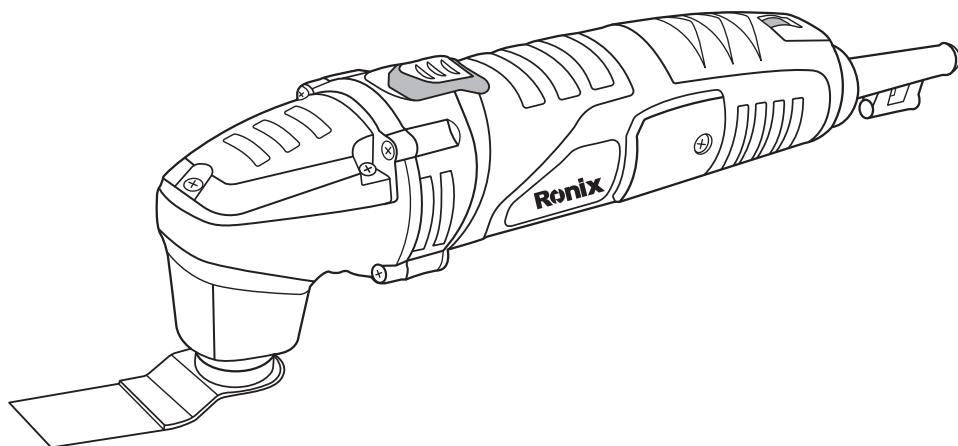


Ronix[®]

Premium Quality

MULTI-FUNCTIONAL TOOL

4203



www.ronixtools.com

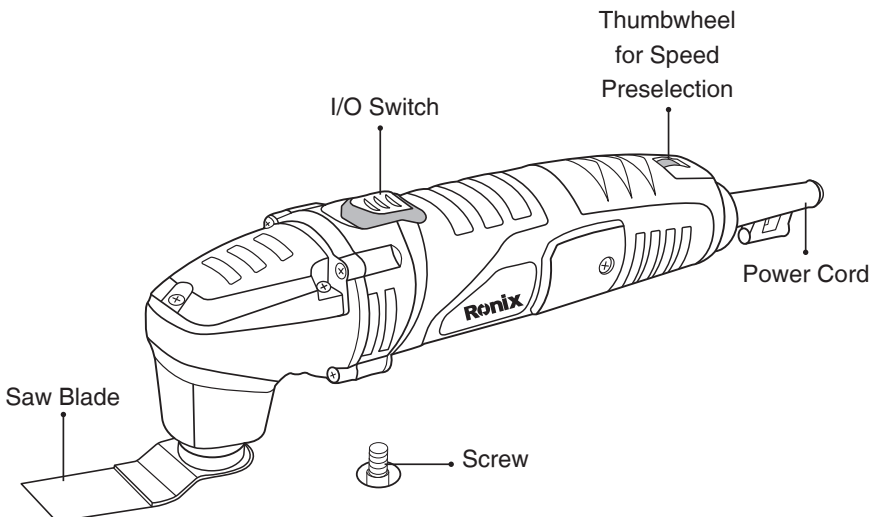
SPECIFICATION

Model	4203
Rated power	250W
voltage	220-240V
Rated Frequency	50-60Hz
No-load Stroke Rate	10000-21000OPM
Oscillating Angle	3.2°
Weight	1.35Kg

PACKAGE CONTENTS

Allen key	1
Instruction manual	1
Sanding Paper	3
Saw blade	2
triangle sand	1

PART LIST



SYMBOLS



To reduce the risk of injury. User must read instruction manual.



Double insulation



WARNING!



Wear eye protection



Wear ear protection



Wear dust mask

GENERAL SAFETY RULES



WARNING!

Read all instructions failure to follow all instructions listed below may result in electric shock, fire and/or serious injury. The term “power tool” in all of the warnings listed below refers to your mains-operated (corded) power tool or battery-operated (cordless) power tool.

SAVE THESE INSTRUCTIONS

■ WORK AREA

- a) Keep work area clean and well lit. Cluttered and dark areas invite accidents.
- b) Do not operate power tools in explosive atmospheres, such as in the presence of flammable liquids, gases or dust. Power tools create sparks which may ignite the dust or fumes.
- c) Keep children and bystanders away while operating a power tool. Distractions can cause you to lose control.

■ ELECTRICAL SAFETY

- a) Power tool plugs must match the outlet. Never modify the plug in any way. Do not use any adapter plugs with earthed (grounded) power tools. Unmodified plugs and matching outlets will reduce risk of electric shock.
- b) Avoid body contact with earthed or grounded surfaces such as pipes, radiators, ranges and refrigerators. There is an increased risk of electric shock if your body is earthed or grounded.
- c) Do not expose power tools to rain or wet conditions. Water entering a power tool will increase the risk of electric shock.
- d) Do not abuse the cord. Never use the cord for carrying, pulling or unplugging the power tool. Keep cord away from heat, oil, sharp edges or moving parts. Damaged or entangled cords increase the risk of electric shock.
- e) When operating a power tool outdoors, use an extension cord suitable for outdoor use. Use of a cord suitable for outdoor use reduces the risk of electric shock.

■ PERSONAL SAFETY

- a) Stay alert, watch what you are doing and use common sense when operating a power tool. Do not use a power tool while you are tired or under the influence of drugs, alcohol or medication. A moment of inattention while operating power tools may result in serious personal injury.
- b) Use safety equipment. Always wear eye protection. Safety equipment such as dust mask, non-skid safety shoes, hard hat, or hearing protection used for appropriate conditions will reduce personal injuries.
- c) Avoid accidental starting. Ensure the switch is in the off-position before plugging in. Carrying power tools with your finger on the switch or plugging in power tools that have the switch on invites accidents.
- d) Remove any adjusting key or wrench before turning the power tool on. A wrench or a key left attached to a rotating part of the power tool may result in personal injury.

- e) Do not overreach. Keep proper footing and balance at all times. This enables better control of the power tool in unexpected situations.
- f) Dress properly. Do not wear loose clothing or jewellery. Keep your hair, clothing and gloves away from moving parts. Loose clothes, jewellery or long hair can be caught in moving parts.
- g) If devices are provided for the connection of dust extraction and collection facilities, ensure these are connected and properly used. Use of these devices can reduce dust-related hazards.

■ POWER TOOL USE AND CARE

- a) Do not force the power tool. Use the correct power tool for your application. The correct power tool will do the job better and safer at the rate for which it was designed.
- b) Do not use the power tool if the switch does not turn it on and off. Any power tool that cannot be controlled with the switch is dangerous and must be repaired.
- c) Disconnect the plug from the power source before making any adjustments, changing accessories, or storing power tools. Such preventive safety measures reduce the risk of starting the power tool accidentally.
- d) Store idle power tools out of the reach of children and do not allow persons unfamiliar with the power tool or these instructions to operate the power tool. Power tools are dangerous in the hands of untrained users.
- e) Maintain power tools. Check for misalignment or binding of moving parts, breakage of parts and any other condition that may affect the power tools operation. If damaged, have the power tool repaired before use. Many accidents are caused by poorly maintained power tools.
- f) Keep cutting tools sharp and clean. Properly maintained cutting tools with sharp cutting edges are less likely to bind and are easier to control.
- g) Use the power tool, accessories and tool bits etc., in accordance with these instructions and in the manner intended for the particular type of power tool, taking into account the working conditions and the work to be performed. Use of the power tool for operations different from intended could result in a hazardous situation.

■SERVICE

a) Have your power tool serviced by a qualified repair person using only identical replacement parts. This will ensure that the safety of the power tool is maintained.

SAFETY WARNINGS FOR MULTI-CUTTERS

Hold power tool by insulated gripping surfaces, when performing an operation where the cutting accessory may contact hidden wiring or its own cord. Cutting accessory contacting a “live” wire may make exposed metal parts of the power tool “live” and could give the operator an electric shock.

- Use the machine only for dry sanding. Penetration of water into the machine increases the risk of an electric shock.

- Caution, fire hazard! Avoid overheating the object being sanded as well as the sander. Always empty the dust collector before taking breaks. In unfavourable conditions, e. g., when sparks emit from sanding metals, sanding debris in the dust bag, micro filter or paper sack (or in the filter sack or filter of the vacuum cleaner) can self-ignite. Particularly when mixed with remainders of varnish, polyurethane or other chemical materials and when the sanding debris is hot after long periods of working.

- Keep hands away from the sawing range. Do not reach under the workpiece. Contact with the saw blade can lead to injuries.

- Use suitable detectors to determine if utility lines are hidden in the work area or call the local utility company for assistance. Contact with electric lines can lead to fire and electric shock. Damaging a gas line can lead to explosion. Penetrating a water line causes property damage or may cause an electric shock.

- When working with the machine, always hold it firmly with both hands and provide for a secure stance. The power tool is guided more secure with both hands.

Secure the workpiece. A workpiece clamped with clamping devices or in a vice is held more secure than by hand.

- Wear protective gloves when changing application tools/accessories. Application tools/accessories become hot after prolonged usage.
- Do not scrape wetted materials (e. g. wallpaper) or on moist surfaces. Penetration of water into the machine increases the risk of an electric shock.
- Do not treat the surface to be worked with solvent-containing fluids. Materials being warmed up by the scraping can cause toxic vapours to develop.
- Exercise extreme caution when handling the scraper. The accessory is very sharp; danger of injury.

HAND / ARM VIBRATIONS

Whilst working with this power tool hand/arm vibrations will occur.

Adopt the correct working practices in order to reduce the exposure to vibration.

- In the case of strong vibration take the recommended work breaks or change your task more frequently.
- Keep your hands warm.
- Whilst working, only grip the power tool as firmly as necessary.
- Only work with machines and grinding wheels that are in perfect operating condition.
- For machines with an adjustable speed select the speed according to the instructions avoid any resonance.
- Use the vibration—absorbing gel working gloves.

PACKAGE CONTENTS

■ THE PACKAGE CONTAINS

Allen key

Accessories

Carbon brush

Instruction manual

Check for damage to the tool, parts or accessories which may have occurred during transport. Take the time to thoroughly read and understand this manual prior to operation.

ELECTRICAL SAFETY

The electric motor has been designed for one voltage only. Always check that the power supply corresponds to the voltage on the rating plate.

Your power tool is double insulated.

ASSEMBLY AND ADJUSTMENT



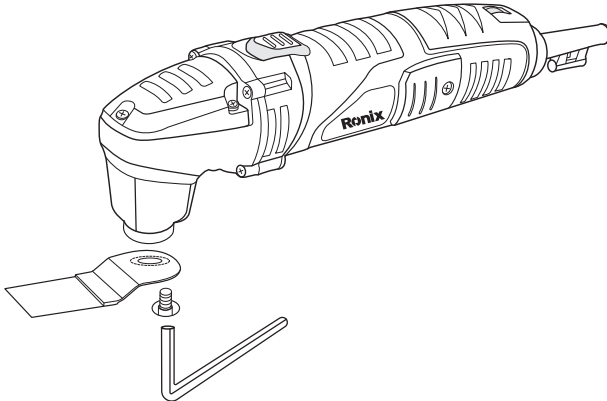
NOTE:

Before using the tool, read the instruction book carefully.




Prior to assembly and adjustment always unplug the tool.

CHANGER THE TOOL



- If required, remove an already mounted application tool/Accessory.
- For removing the application tool/Accessory, loosen the screw with the Allen key and remove the application tool/Accessory.
- Mount the requested application tool/Accessory in such a manner on the tool holder that the offset faces downward.

- Fasten the application tool/accessory with bolt. Tighten the bolt with Allen key until the spring washer of the bolt faces flush against the application tool/accessory.

 Check the tight seating of the application tool/accessory. Incorrect or not securely fastened application tools/accessories can come loose during operation and pose a hazard.

DUST/CHIP EXTRACTION

- Dusts from materials such as lead-containing coatings, some wood types, minerals and metal can be harmful to one's health. Touching or breathing-in the dusts can cause allergic reactions and/or lead to respiratory infections of the user or bystanders.

- Certain dusts, such as oak or beech dust, are considered as carcinogenic, especially in connection with wood-treatment additives (chromate, wood preservative). Materials containing asbestos may only be worked by specialists.


- Provide for good ventilation of the working place.

- It is recommended to wear a P2 filter-class respirator. Observe the relevant regulations in your country for the materials to be worked.

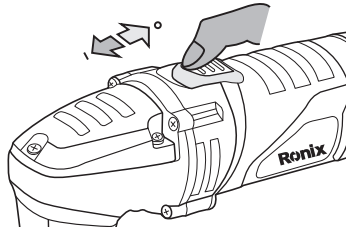
- Prevent dust accumulation at the workplace. Dusts can easily ignite.

INSTRUCTIONS FOR USE

 Always observe the safety instructions and applicable regulations.

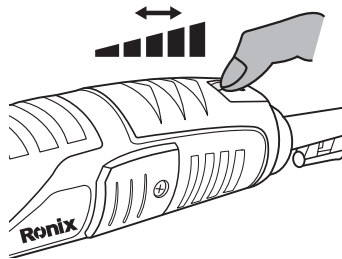
 Observe correct mains voltage! The voltage of the power source must agree with the voltage specified on the nameplate of the machine.

SWITCHING ON AND OFF



- To start the machine, push the switch towards the front(I)
- To switch off the machine, push the switch towards the back(0)

SPEED PRESELECTION



Increasing the oscillating frequency:

- Push thumbwheel towards the back.

Decreasing the oscillating frequency:

- Push thumbwheel towards the front.

MAINTENANCE

Your power tool has been designed to operate over a long period of time with a minimum of maintenance. Continuous satisfactory operation depends upon proper tool care and regular cleaning.

■ LUBRICATION

Your power tool requires no additional lubrication.

■ **CLEANING**

Keep the ventilation slots clear and regularly clean the housing with a soft cloth.

■ **UNWANTED TOOLS AND THE ENVIRONMENT**

Take your tool to an authorized power repair agent where it will be disposed of in an environmentally safe way.

Ronix[®]
Premium Quality