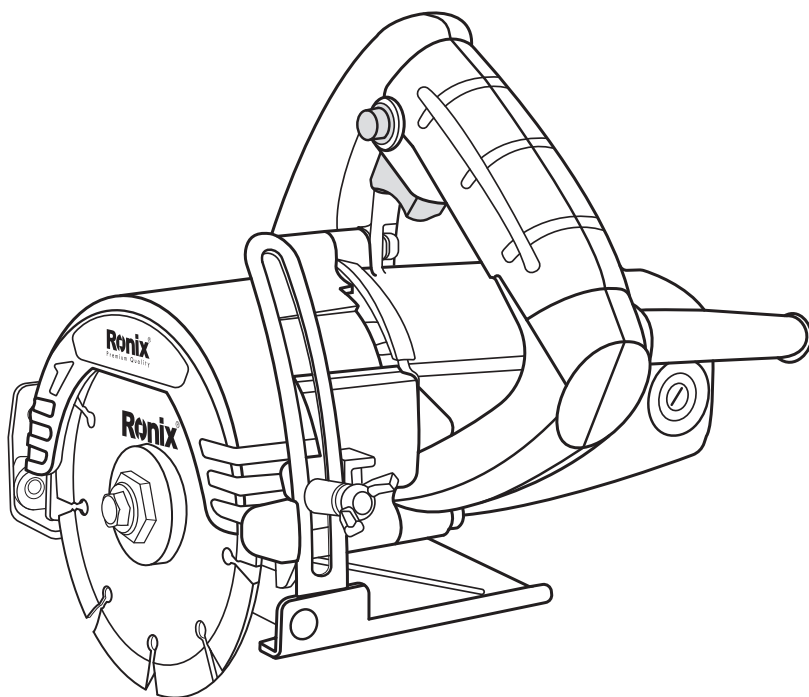


Ronix®

Premium Quality

MARBLE CUTTER

3411



www.ronixtools.com

12
MONTHS
GUARANTY

FREE
DELIVERY

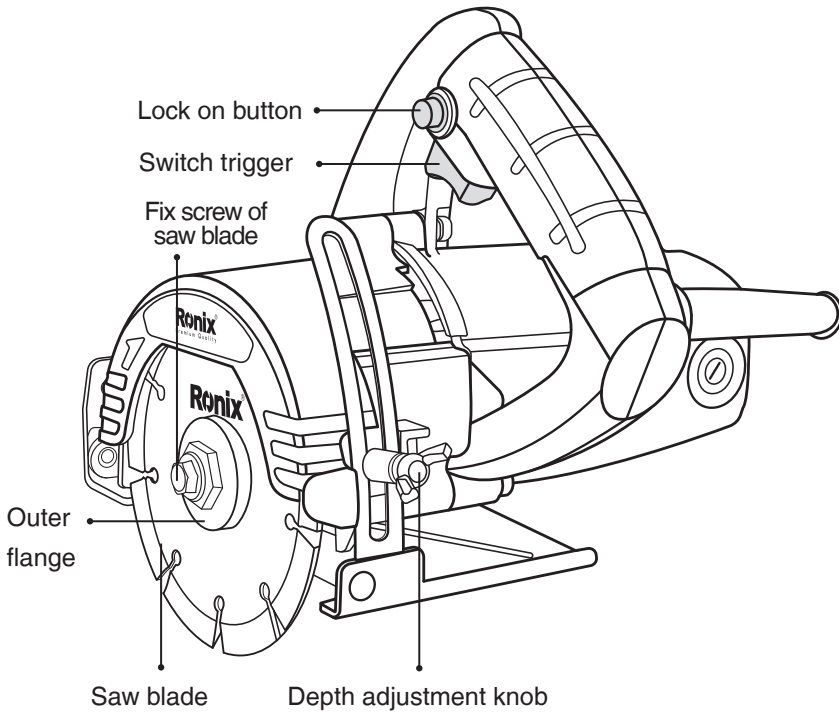
BANK
SPARE PARTS

CALL
CENTER
02161904

SPECIFICATION

Model	3411
Rated power	1500W
Rated voltage	220V
Frequency	50HZ
No Load Speed	14000RPM
Dia. of saw blade	Ø115mm
max cutting capacity	34mm
Net. Weight	3 Kg

PARTS LIST



⚠ NOTE

Please keep this instruction manual for future reference.

Operating Instructions

Please read the operation instructions meticulously and pay particular attention to the safety instructions.

⚠ WARNING!

When working with electrical device the following prevention and safety instructions are to be observed to avoid fires, electric shocks and physical injuries.

GENERAL SAFETY INSTUCTION

⚠ WARNING!

Failure to follow the warnings and instructions may result in electric shock, fire and/or serious injury.

■ WORK AREA

- Keep your work area clean and well lit. Cluttered benches and dark areas invite accidents.
- Flammable liquids, gases, or dust. Power tools create sparks which may ignite the dust or fumes. Do not operate power tools in explosive atmospheres, such as in the presence of flammable liquids, gases, or dust.
- Keep bystanders, children, and visitors away while operating a power tool. Distractions can cause you to lose control.

■ ELECTRICAL SAFETY

- Power tool plugs must match the outlet. Never modify the plug in any way. Do not use any adapter plugs with earthed (grounded) power tools. Unmodified plugs and matching outlets will reduce risk of electrical shock.
- Avoid body contact with earthed or grounded surface such as pipes, radiators, ranges and refrigerators. There is an increased risk of electric

shock if your body is earthed or grounded.

- Do not expose power tools to rain wet conditions. Water entering a power tool will increase the risk of electric shock.
- Do not abuse the cord. Never use the cord of carrying, pulling or unplugging the power tool. Keep cord away from heat, oil sharp edges or moving parts. Damaged or entangled cords increase the risk of electric shock.
- When operating a power tool outdoors, use an extension cord suitable use. Use of a cord suitable for outdoor use reduces the risk of electric shock.

■ PERSONAL SAFETY

- Stay alert, watch what you are doing and use common sense when operating a power tool. Do not use a power tool while you are tired or under the influence of drugs, alcohol or medication. A moment of inattention while operating power tools may result in serious injury.
- Use safety equipment. Always wear eye protection safety equipment such as dust mask, nonskid safety shoes, hard hat, or hearing protection used for appropriate conditions will reduce personal injuries.
- Avoid unintentional starting. Ensure the switch is in the off position before plugging in. carrying power tools with your finger on the switch or plugging power tools that have the switch on invites accident.
- Remove any adjusting key or wrench before turning the power tool on. A wrench before turning the power tool on. A wrench or a key left attached to a rotating part of the power tool may result in personal injury.
- Do not overreach. Keep proper footing and balance at all times. This enables better control of the power tool in unexpected situations.
- Dress properly. Do not wear loose clothing or jewelry. Keep your hair, clothing and gloves away from moving parts. Loose clothes, jewelry or long hair can be caught in moving parts.

■ TOOL USE AND CARE

- Do not force the power tool. Use the correct power tool for your application. The correct power tool will do the job better and safer at the rate for which it

was designed.

- Do not use the power tool if the switch does not turn it on and off, my power tool that cannot be controlled with the switch is dangerous and must be repaired.
- Disconnect the plug from the power source before making any adjustments, changing accessories, or storing power tools. Such preventive safety measures reduce the risk of starting the power tool accidentally.
- Store idle power tools out of the reach of children and do not allow persons unfamiliar with the power tool or these instructions to operate the power tool. Power tools are dangerous in the hands of untrained users.
- Maintain power tools. Check for misalignment or binding of moving parts, breakage of parts and any other condition that may affect the power tools operation. If damaged, have the power tool repaired before use. Many accidents are caused by poorly maintained power tools.
- Keep cutting tools sharp and clean. Properly maintained cutting tools with sharp cutting edges are less likely to bind and are easier to control.
- Use the power tool, accessories and tool bits etc. in accordance with these Instructions and in the manner intended for the particular type of power tool, taking into account the working conditions and the work to be performed. Use of the power tool for operations different from intended could result in a hazardous situation.

■ SERVICE

- Have your power tool Serviced by a qualified repair person at **RONIX SERVICE** using only identical replacement parts. This will ensure that the safety of the power tool is maintained.

WARNING!

- For your own safety always use only the accessories and attachments specified in the operating instructions. The use of accessories and attachments other than those specified in the operating instructions can cause injuries!
- Always have your tool be repaired by certified technicians at **RONIX SERVICE** center!

- This tool meets the relevant safety requirements!
- During operating, wear hearing protection to avoid damage to your hearing!

SPECIAL SAFETY INFORMATION

⚠ NOTE

Please read the following instructions first before turning on power

- The working site shall be neat, operating field also requires a neat environment; sufficient illumination; cluttered or scattered things around may be dangerous;
- The operator shall wear the appropriate clothing, do not wear the gauze glove and spacious clothes, etc., so as to prevent possible personal injuries caused by being caught in the rotating parts of machine. It is suggested to wear insulation shoes for outdoors operation.
- Concentrated on the operation, maintains the balance of your body and holds the handle with two hands, so as to prevent the possible machine jumping during the notching work and affect the operation effect.
- Do not let other people approach the operation; unauthorized access is not permitted on the working site except the operating personnel;
- As for the fixing work, if it is applicable to be notched on the surface of movable parts, the tool shall be fixed.
- Avoid implementing the operation on the water and oil surface or the site arranged with wire cable. Do not damage the wire cable and avoid the water or oil entering into electric appliances of motor or switch, etc
- Do not use in following area: it is prohibited to use in special circumstance of moist heat, snowy, explosive or corrosive gas area.
- Correctly use the plug; do not exchange the plug arbitrarily; do not insert the plug that directly connected with the bare conductor into socket.
- To disconnect the plug promptly; disconnect the plug in case of the machine is idle or replacing the cutting tool components, so as to prevent the electric shock.

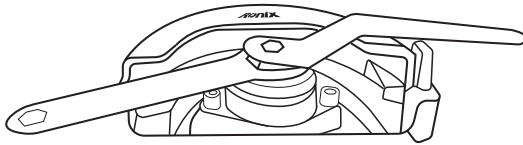
OPERATION & USE

■ ASSEMBLY AND ADJUSTMENTS

⚠ WARNING!

Prior to assembly and adjustment, always unplug tool.

- To remove and install the blade



- 1) Place saw on a stable surface.
- 2) To remove the blade, hold the outer flange, using the wrench provided. Remove the blade screw by turning it clockwise.
- 3) To install the blade, reverse this procedure.

OPERATION

⚠ WARNING!

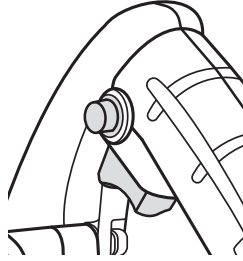
Always observe the safety instructions and applicable regulations.

Use the appropriate blade. Do not use cracked, damaged or excessively worn blade.

Wait for the blade to reach the maximum speed and use a slow even feed for proper cutting.

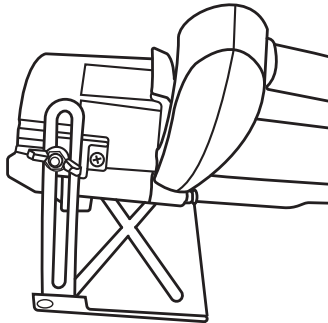
■ SWITCHING ON AND OFF

- 1) To operate your tool, press the on/off switch.
- 2) For continuous operation, press the lock-on button and release the switch. To disengage the locking button, depress then release the switch.



■ ADJUST THE DEPTH GAUGE FOR STRAIGHT CUTS

- 1) Release the depth adjustment knob.
- 2) Pull the base plate to the desired position.
- 3) Tighten the knob.



■ ADJUSTING CUTTING WIDTH

- 1) User can get the desired width by adding or reducing the adjusting flange in the middle of two diamond-cutting discs. If want to get more width that you add the adjusting flange conveniently by removing and installing disc method ,If want to get less width that you only reduce the adjusting flange till reaching the desired width.
- 2) If the tool's maximum cutting width is less than you needed, Please cut it in two or more times.

RECYCLING



Meaning of crossed – out wheeled dustbin:

Do not dispose of electrical appliances as unsorted municipal waste, use separate collection facilities. Contact your local government for information regarding the collection systems available. If electrical appliances are disposed of in landfills or dumps, hazardous substances can leak into the groundwater and get into the food chain, damaging your health and well-being.

Ronix[®]
Premium Quality

www-ronixtools-com