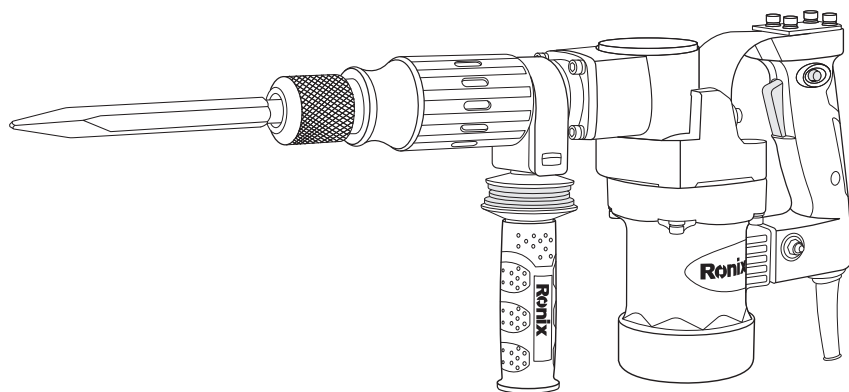


Ronix[®]

Premium Quality

DEMOLITION HAMMER 2806



SPECIFICATIONS

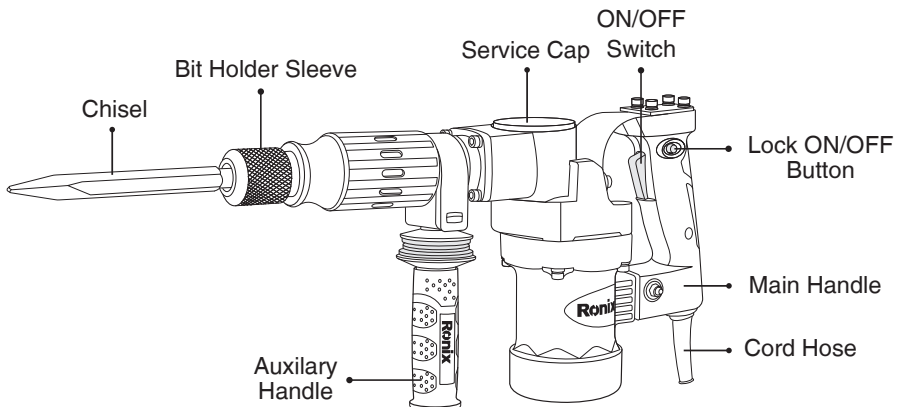
Model	2806
Power	950W
Voltage	220-240V
Frequency	50-60Hz
Chuck Type	HEX
Impact Energy	10J
Max Impact Rate	2900 BPM
Weight	6.5Kg
Accessories	Ronix Auxiliary handle, pointed chisel, Spanner, Grease bottle, Hex wrench

GENERAL SAFETY RULES

⚠ WARNING!

Read and understand all instructions. Failure to follow all instructions listed below, may result in electric shock, fire and / or serious personal injury.

PARTS LIST



SAVE THESE INSTRUCTIONS

Work Area

1. keep your work area clean and well lit. Cluttered benches and dark areas invite accidents.
2. Do not operate power tools in explosive atmospheres, such as in the presence of flammable liquids gases or dust. Power tools create sparks which may ignite the dust or fumes.
3. Keep bystanders children and visitors away while operating a power tool. Distractions can cause you to lose control.

ELECTRICAL SAFETY

4. Double insulated tools are equipped with a polarized plug(one blade is wider than the other.)This plug will fit in a polarized outlet only one way. If the plug does not fit fully in the outlet, reserve the plug. If it still does not fit, contact a qualified electrician to install a polarized outlet. Do not change the plug in any way. Double insulation eliminates the need for the three wire grounded power cord and grounded

POWER SUPPLY SYSTEM

- 5.Avoid body contact with grounded surfaces such as pipes, radiators, ranges and refrigerators. These is a increased risk of electric shock if your body is grounded.
6. Do not expose power tools to rain or wet conditions. Water entering a power tool will increase the risk of electric shock.
- 7.Do not abuse the cord. Never use the cord to carry the tools or pull the plug from an outlet. Keep cord away from heat, oil, sharp edges or moving parts. Replace damaged cords immediately. Damaged cord increase the risk of electric shock.
- 8.When operating a power tool outside, use an outdoor extension cord marked “W-A” or “W”. These cords are rated for outdoor use and reduce

the risk of electric shock.

PERSONAL SAFETY

9. Stay alert, watch what you are doing and use common sense when operating a power

tool. Do not use tool while tired or under the influence of drugs, alcohol, or medication. A moment of inattention while operating power tools may result in serious personal injury.

10. Dress properly. Do not wear loose clothing or jewelry. Contain long hair. Keep your hair, clothing, and gloves away from moving parts. Loose clothes jewelry, or long hair can be caught in moving parts.

11. Avoid accidental starting. Be sure switch is off before plugging in. Carrying tools with your finger on the switch or plugging in tools that have the switch on invites accidents.

12. Remove adjusting keys or wrenches before turning the tool on. A wrench or a key that is left attached to a rotating part of the tool may result in personal injury.

13. Do not overreach. Keep proper footing and balance at all times. Proper footing and balance enables better control of the tool in unexpected situations.

14. Use safety equipment. Always wear eye protection. Dust mask, non-skid safety shoes, hard hat, or hearing protection must be used for appropriate conditions. Ordinary eye or sun glasses are NOT eye protection.

TOOL USE AND CARE

15. Use clamps or other practical way to secure and support the workpiece to a stable platform. Holding the work by hand or against your body is unstable and may lead to loss of control.

16. Do not force tool. Use the correct tool for your application. The correct tool will do the job better and safer at the rate for which it is designed.

17. Do not use tool if switch does not turn it on or off. Any tool that cannot be controlled with the switch is dangerous and must be repaired.
18. Disconnect the plug from the power source before making any adjustments, changing accessories, or storing the tool. Such preventive safety measures reduce the risk of starting the tool accidentally.
19. Store idle tools out of reach of children and other untrained persons. Tools are dangerous in the hands of untrained users.
20. Maintain tools with care. Keep cutting tools sharp and clean. Properly maintained tools with sharp cutting edges are less likely to bind and are easier to control.
21. Check for misalignment or binding of moving parts, breakage of parts, and any other condition that may affect the tools operation. If damaged, have the tool serviced before using. Many accidents are caused by poorly maintained tools.
22. Use only accessories that are recommended by the manufacturer for your model. Accessories that may be suitable for one tool, may become hazardous when used on another tool.

SERVICE

23. Tool service must be performed only by qualified repair personnel. Service or maintenance performed by unqualified personnel could result in a risk of injury.
24. When servicing a tool, use only identical replacement parts. Follow instructions in the Maintenance section of the manual. Use of unauthorized parts or failure to follow Maintenance instructions may create a risk of electric shock or injury.

SPECIFIC SAFETY RULES

NOT let comfort or familiarity with product (gained from repeated use) replace strict adherence to demolition hammer safety rules. If you use this

tool unsafely or incorrectly, you can suffer serious personal injury.

1. Hold tool by insulated gripping surfaces when performing an operation where the cutting tools may contact hidden wiring or its own cord. Contact with a “live” wire
3. Hold the tool firmly with both hands.
4. Keep hands away from moving parts.
5. Do not leave the tool running. Operate the tool only when hand-held.
6. Do not touch the drill bit or the workpiece immediately after operation; they may be extremely hot and could burn your skin.
7. Wear ear protectors when using the tool for extended periods. Prolonged exposure to high intensity noise can cause hearing loss.
8. Wear a hard hat (safety helmet), safety glasses and/or face shield. Ordinary eye or sun glasses are NOT safety glasses. It is also highly recommended that you wear a dust mask and thickly padded gloves.
9. Be sure the bit is secured in place before operation.
10. Under normal operation, the tool is designed to produce vibration. The will make exposed metal parts of the tool “live” and shock the operator
2. Always be sure you have a firm footing. Be sure no one is below when using the tool in high locations. screws can come loose easily, causing a breakdown or accident. Check tightness of screws carefully before operation.
11. In cold weather or when the tool has not been used for a long time, let the tool warm up for a while by operating it under no load. This will loosen up the lubrication. Without proper warm-up, hammering operation is difficult.
12. Do not point the tool at any one in the area when operating. The bit could fly out and injure someone seriously.
13. Some material contains chemicals which may be toxic. Take caution to prevent dust inhalation and skin contact. Follow material supplier safety data.
14. The tool designed safe clutch equipment, please turn off the machine when the clutch connection.


SAVE THESE INSTRUCTIONS

WARNING!

MISUSE or failure to follow the safety rules stated in this instruction manual may cause serious personal injury.

SYMBOLS

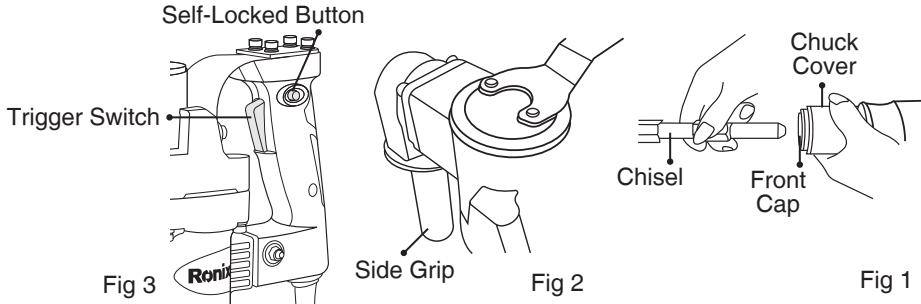
The following show the symbols used for the tool.

V	Voltage
n	no load speed
A	Ampere
min	revolutions or reciprocation per minute
Hz	Hertz
	class II construction

CAUTION!

- Always be sure that the tool is switched off and unplugged before installing or removing the bit.
- Installing and removing the chisel
 - 1) Clean the bit shank and apply bit grease before installing the chisel.
 - 2) Pull the chuck cover down the bottom
- Operation instruction

FUNCTIONAL DESCRIPTION



(the Front cap cannot move) ,then insert the bit into the tool, turn the chisel and push it in until it engages. At last let the chuck cover come back the original position.

3. After installing, always make sure that the chisel is securely held in place by trying to pull it out.

4. To remove the chisel, pull the chuck cover down all the way and pull the chisel out (Fig1)

- Side Grip

⚠ CAUTION!

- Always use the side grip to ensure operating safety when drilling in concrete masonry, etc.

The tool is equipped with side grip before outgoing .The side grip swings around to either side, allowing easy handling of the tool in any position. Loosen the side grip by turning it counterclockwise, swing it to the desired position and then tighten it by turning clockwise.(Fig 2)

- Switch Action(Fig3)

⚠ CAUTION!

- Before plugging in the tool, always check to see that the switch trigger actuates properly and returns to the “OFF” position when released.

- Switch can be locked in “ON” position for ease of operator comfort during extended use. Apply caution when locking tool in “ON” position

and maintain firm grasp on tool.

To start the tool, simply pull the switch trigger. Release the switch trigger to stop.

For continuous operation, pull the switch trigger and then push in the lock button.

To stop the tool from the locked position, pull the switch trigger fully, then release it.

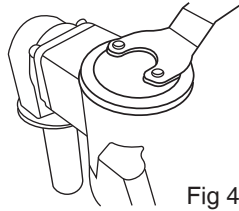


Fig 4

- Maintenance & Daily Check.

⚠ CAUTION!

Always be sure that the tool is switch off and unplugging before attempting to perform inspection and maintenance.

- 1) The tool and its air vents have to be keep clean, regularly clean the tool's air vents or whenever the vents start to become obstructed
- 2) Often Check the screw if loosen or not.
- 3) Often Check the cord insulation if broken or not.

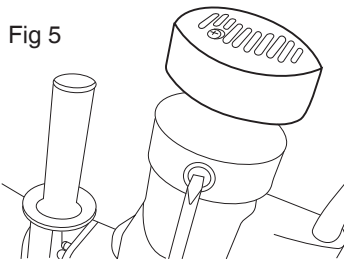


Fig 5

- Lubrication(Fig4)

- Notice: It should be re-lubricated after every replacing the carbon brush.

Step1. Run the tool for several minutes to warm it up. Switch off and

unplug the tool.

Step2. Remove the crank cap using a Boda lock nut wrench. Rest the tool on the table with the chisel end pointing upwards. This will allow the old grease to collect inside the crank housing.

Step3. Wipe out the old grease inside and replace with a fresh grease (30g; 1 oz). Use only Boda genuine hammer grease. Filling with more than the specified amount of grease (approx. 30 g; 1 oz) can cause faulty hammering action or tool failure. Fill only with the specified amount of grease.

Step4. Reinstall the crank cap and tighten with the lock nut wrench.

CAUTION!

- Do not tighten the crank cap excessively. It is made of resin and is subject to breakage.

- Replacing carbon brushes.(Fig5)

1. Should replace the carbon brushes when the tool occurs obvious sparks or wear down to the limit mark.
2. Both carbon brushes should be replaced at the same time.
3. Use a hex wrench to remove the rear cover. Use a screwdriver to remove the brush holder caps. Take out the worn carbon brushes, insert the new ones and secure the brush holder caps.

CAUTION!

After replacing brushes, Running tool with no load for about 10 minutes. Then check the tool while running, when releasing the switch trigger. If the tool is not working well, ask your local Ronix service center for repair. To maintain product SAFETY and RELIABILITY, repairs, carbon brushes inspection and replacement, any other maintenance or adjustment should be performed by Ronix Authorized or Factory service centers, always using Ronix replacement parts.

Ronix[®]
Premium Quality