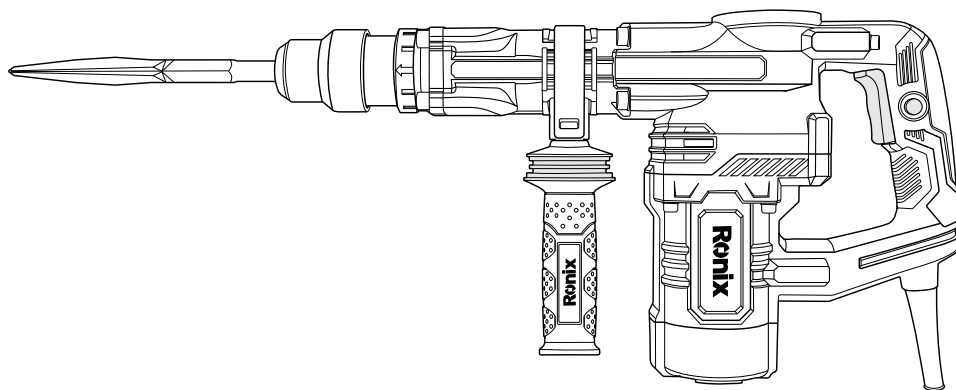


Ronix[®]

Premium Quality

DEMOLITION HAMMER 7.5KG

2800



www.ronixtools.com

12
MONTHS
GUARANTY

FREE
DELIVERY

BANK
SPARE PARTS

CALL
CENTER
021 61904

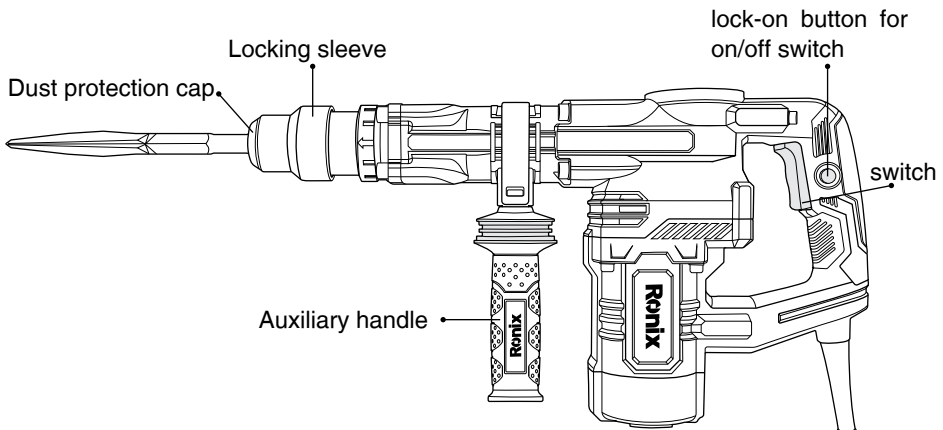
SPECIFICATIONS

Model	2800
Power	1300W
Voltage	220V
Frequency	50Hz
Impact Energy	20J
Max Impact Rate	2400 BPM
Weight	7.5kg
Accessories	SDS MAX 25x350mm Flat chisel SDS MAX 25x350mm Point chisel Grease tube 100g Wiping cloth



Before using this demolition hammer, please carefully read though these **HANDLING INSTRUCTIONS**. Ensure that you know how the machine works, and how it should be operated. Maintain the machine in accordance with the instructions, and make certain that the machine work correctly, please store this instruction and other enclosed documents with the machine together.

PARTS LIST



SAFETY SYMBOLES

In this operator's manual / or machine's labels following symbols are used:



Read the manual carefully.



Accordance with essential applicable safety of European directives.



Double insulation.



Wear ear and eye protection.



Denote risk of personal injury, loss of life or damage to the tool in case of nonobservance of the instruction in this manual.



Indicate electrical shock hazard.



Immediately unplug the plug from the main electricity in the case that the cord gets damage and during maintenance.



Faulty and /or discarded electrical or electronic apparatus have to be collected at the appropriate recycling location.

GENERAL POWER TOOL SAFETY WARNINGS



WARNING!

Read all safety warnings and all instructions. Failure to follow all warnings and instructions may result in electric shock, fire and/or serious injury.

Save all warnings and instructions for future reference.

The term "power tool" in the warnings refer to your mains operated (corded) power tool or battery operated (cordless) power tool.

■ WORK AREA SAFETY

- Keep work area clean and well lit. Cluttered and dark areas invite accidents.
- Do not operate power tools in explosive atmospheres, such as in the presence of flammable liquids, gases or dust. Power tools create sparks which may ignite the dust or fumes.
- Keep children and bystanders away while operating a power tool. Distractions can cause you to lose control.

■ ELECTRICAL SAFETY

- Power tool plugs must match the outlet. Never modify the plug in any way. Do not use any adapter plugs with earthed (grounded) power tools. Unmodified plugs and matching outlets will reduce risk of electric shock.
- Avoid body contact with earthed or grounded surfaces such as pipes, radiators, ranges and refrigerators. There is an increased risk of electric shock if your body is earthed or grounded.
- Do not expose power tools to rain or wet conditions. Water entering a power tool will increase the risk of electric shock.
- Do not abuse the cord. Never use the cord for carrying, pulling or unplugging the power tool. Keep cord away from heat, oil, sharp edges or moving parts. Damaged or entangled cords increase the risk of electric shock.
- When operating a power tool outdoors, use an extension cord suitable for outdoor use. Use of a cord suitable for outdoor use reduces the risk of electric shock.
- If operating a power tools in a damp location is unavoidable, use a residual current device (RCD) protected supply. Use of an RCD reduces the risk of electric shock.

■ PERSONAL SAFETY

- Stay alert, watch what you are doing and use common sense when operating a power tool. Do not use a power tool while you are tired or under the influence of drugs, alcohol or medication. A moment of

inattention while operating power tools may result in serious personal injury.



Use safety equipment. Always wear eye protection. Safety equipment such as dust mask, non-skid safety shoes, hard hat, or hearing protection used for appropriate conditions will reduce personal injuries.

- Avoid accidental starting. Ensure the switch is in the off position before plugging in. Carrying power tools with your finger on the switch or plugging in power tools that have the switch on invites accidents.
- Remove any adjusting key or wrench before turning the power tool on. A wrench or a key left attached to a rotating part of the power tool may result in personal injury
- Do not overreach. Keep proper footing and balance at all times. This enables better control of the power tool in unexpected situations.
- Dress properly. Do not wear loose clothing or jewelry. Keep your hair, clothing and gloves away from moving parts. Loose clothes, jewelry or long hair can be caught in moving parts.
- If devices are provided for the connection of dust extraction and collection facilities, ensure these are connected and properly used. Use of these devices can reduce dust related hazards.

■ POWER TOOL USE AND CARE


- Do not force the power tool. Use the correct power tool for your application. The correct power tool will do the job better and safer at the rate for which it was designed.
- Do not (use the power tool if the switch does not turn it on and off. Any power tool that cannot be controlled with the switch is dangerous and must be repaired.
- Disconnect the plug from the power source before making any adjustments, changing accessories, or storing power tools. Such preventive safety measures reduce the risk of starting the power tool accidentally.

- Store idle power tools out of the reach of children and do not allow persons unfamiliar with the power tool or these instructions to operate the power tool. Power tools are dangerous in the hands of untrained users.
- Maintain power tools. Check for misalignment or binding of moving parts, breakage of parts and any other condition that may affect the power tools operation. If damaged, have the power tool repaired before use. Many accidents are caused by poorly maintained power tools
- Keep cutting tools sharp and clean. Properly maintained cutting tools with sharp cutting edges are less likely to bind and are easier to control;
- Use the power tool, accessories and tool bits etc., in accordance with these instructions and in the manner intended for the particular type of power tool, taking into account the working conditions and the work to be performed. Use of the power tool for operations different from intended could result in a hazardous situation.

SERVICE

- Have your power tool serviced by RONIX service qualified repair person using only identical replacement parts. This will ensure that the safety of the power tool is maintained.

ADDITIONAL SAFETY RULES FOR HAMMER

- 1)  Wear ear protection. Exposure to noise can cause hearing loss.
- 2) Use auxiliary handle with the tool. Loss of control can cause personal injury.
- 3) Hold Power tool by insulated gripping surfaces, when performing an operation where the cutting accessory may contact hidden wiring or its own cord. Cutting accessory contacting a “live” wire may make exposed metal parts of the power tool “live” and could give the operator an electric shock.
- 4) Wear a dust mask.

■ POWER TOOL-SPECIFIC SAFETY RULES

- 1) When working with the power tool, always hold it firmly with both hands and provide for a secure stance. The power tool is guided more secure with both hands.
- 2) Secure the workpiece. A workpiece clamped with clamping devices or in a vice is held more secure than by hand.
- 3) Do not work materials containing asbestos. Asbestos is considered carcinogenic.
- 4) Take protective measures when dust can develop during working that is harmful to one's health, combustible or explosive. Example: Some dusts are regarded as carcinogenic. Wear a dust mask and work with dust/chip extraction when connectable.
- 5) Always wait until the power tool has come to a complete stop before placing it down. The tool insert can jam and lead to loss of control over the power tool.
- 6) Do not use the power tool with a damaged cord. Do not touch the damaged cord and pull the plug from the outlet when the cord is damaged while working. Damaged cords increase the risk of an electric shock.
- 7) Connect power tools that are used in the open via a Ground Fault Circuit Interrupter (GFCL).
- 8) Ear hearing protection. Exposure to noise can cause hearing loss.
- 9) Use the auxiliary handle supplied with the power tool. Loss of control over the power tool can cause personal injury.
- 10) Use suitable detectors to determine if utility lines are hidden in the work area or call the local utility company for assistance. Contact with electric lines can lead to fire and electric shock. Damaging a gas line can lead to explosion. Penetrating a water line causes property damage or may cause an electric shock.
- 11) Hold the power tool only by the insulated gripping surfaces when performing an operation where the cutting tool may contact hidden wiring or its own power cord. Contact with a "live" wire will also make exposed metal parts of the power tool "live" and shock the operator.
- 12) In case of damages the replacement of the plug or the supply cord

shall always be carried out by RONIX service organization.

RESIDUAL RISKS

Even when the power tool is used as prescribed it is not possible to eliminate all residual risk factors. The following hazards may arise in connection with the power tool's construction and design:

- Injuries and damage to property to due to broken accessories that are suddenly dashed.
- Health defects resulting from vibration emission if the power tool is being used over longer period of time or not adequately managed and properly maintained.
- Lung damage if don't use dusk mask.
- Hearing damage if don't use ear protection.

WARNING!

This power tool produces an electromagnetic field during operation. This field may under some circumstances interfere with active or passive medical implants. To reduce the risk of serious or fatal injury, we recommend persons with medical implants to consult their physician and the medical implant manufacturer before operating this power tool.

OPERATION INSTRUCTION

■ PRIOR TO OPERATION

1) Power source

Ensure that the power source to be utilized conforms to the power requirements which specified on the name plate of the hammer.

2) Power switch

Ensure that the power switch is in the position of OFF. If the plug is connected to power receptacle while the power switch is in ON position, the demolition hammer will start operation immediately, which can cause serious accident.

3) Extension cord

When the work area is removed from the power source, use an extension

cord of sufficient thickness and rated capacity. The extension cord should be kept as short as practicable.

ASSEMBLY

■ AUXILIARY HANDLE

Operate your power tool only with the Side Handle.

The Side Handle can be set to any position for a secure and low-fatigue working posture.

Loosen the side handle by swiveling its handle, rotate the Side Handle around the axis of the power tool to the required position and tighten the Function Knob again.

The Side Handle can be mounted to a different position. For this, completely unscrew the handle. Pull off the Side Handle to the side and turn around the remaining clamping element by 180 Degree. Mount the Side Handle in reverse order.

■ CHANGING THE TOOL



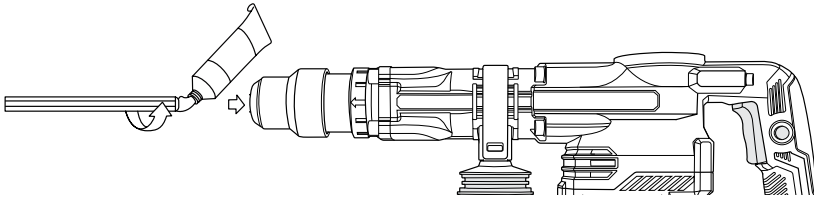
Before any work on the power tool itself, pull the mains plug.

The Hammer rod protector largely prevents the entry of drilling dust into the tool holder during operation. When inserting the tool, take care that the Hammer rod protector is not damaged.

A damaged Hammer rod protector should be changed immediately. We recommend having this carried out by an after-sales service.

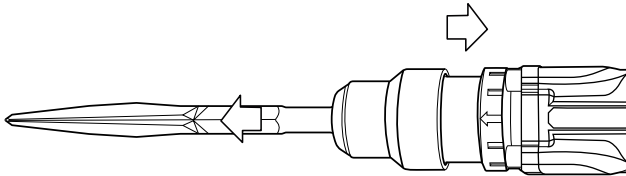
■ INSERTING

Grease the end of the chisel a little. Pull the slide cover of the chisel backward and then insert the pen into the chisel holder. Finally, release the sliding cover. Make sure your operation is correct by dragging the chisel outwards.



■ REMOVING

Push back the Protective lining and remove the tool.



OPERATION

■ STARTING OPERATION

Observe correct mains voltage! The voltage of the power source must agree with the voltage specified on the type plate of the power tool.

Press down the trigger, then the machine is on. Release the trigger, then the machine is off. For low temperatures, the power tool reaches the full impact rate only after a certain time.

This start-up time can be shortened by striking the chisel in the power tool against the floor one time.

MAINTENANCE AND INSPECTION



Before any work on the power tool itself, pull the mains plug.

For safe and proper working, always keep the power tool and the ventilation slots clean.

A damaged hammer rod protector should be changed immediately. We recommend having this carried out by an after-sales service.

1) Inspecting the drill bits

Use a dull accessory, such as bull point, cutter, etc., will cause motor malfunction and efficiency degraded. Replace with a new one when your accessory is abased.

2) Check all external parts of the tool for damage at regular intervals. Do not operate the tool if parts are damaged. If necessary, your power tool should be repaired at a RONIX authorized service center.

3) Inspecting the mounting screws

Regularly inspect all mounting screws and ensure that they are properly tightened. Any loose should be tighten immediately, failure to do maybe cause serious hazard.

4) Indicator

When the carbon brushes are worn out, the power tool switches itself off. This is indicated beforehand by the lighting or blinking of the indicator 7. The power tool must then be sent to an after-sales service agent.

If the power tool should fail despite the care taken in manufacturing and testing procedures, repair should be carried out by an after-sales service center for RONIX power tools.

WARRANTY

For the condition of warranty, please refer to the separately provided warranty card.

ENVIRONMENT



Faulty and /or discarded electrical or electronic apparatus have to be collected at the appropriate recycling location.

CAUTION:

Repair, modification and inspection of RONIX Power tools must be carried out by a RONIX Authorized Service Center.

In the operation and maintenance of power tools, the safety regulations and standards prescribed in each country must be observed.

Ronix[®]
Premium Quality

www.ronixtools.com