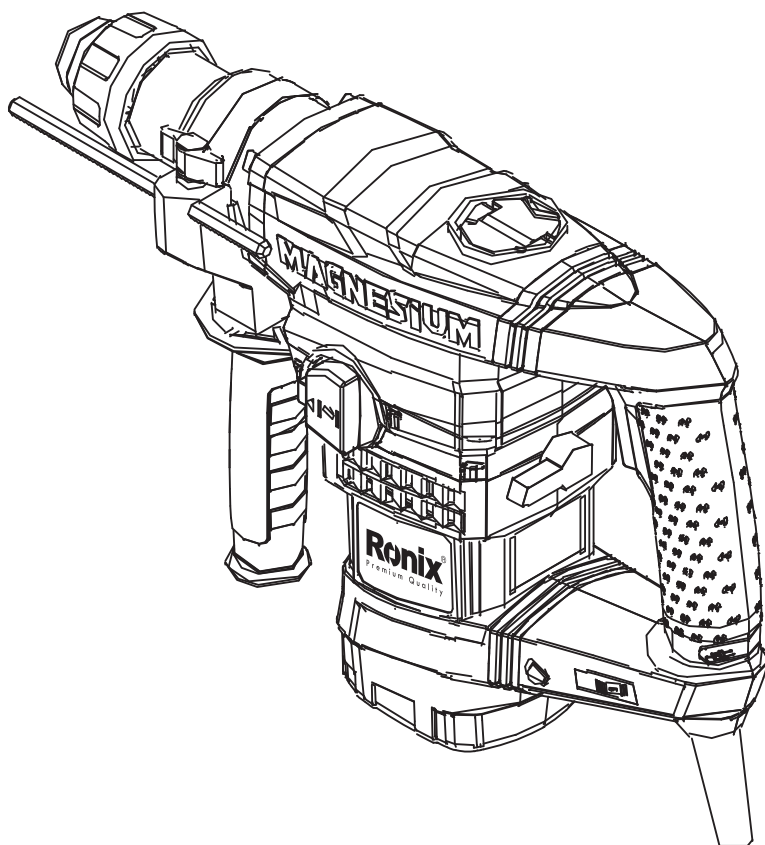


**Ronix**<sup>®</sup>  
Premium Quality

[www.ronixtools.com](http://www.ronixtools.com)



## INSTRUCTION MANUAL

RONIX ROTARY HAMMER Model No: 2730

## Product specifications

Replacement drill chuck

Rated input power w 1100

Power output w 750

Impact rate  $\text{min}^{-1}$  0~2600

Impact energy per stroke J 0~5

LpA:

LwA:

Vibration

Maximum drill diameter

Concrete mm 30

Steel mm 13

Wood mm 40

Weight (without accessories) approx. kg 5.5

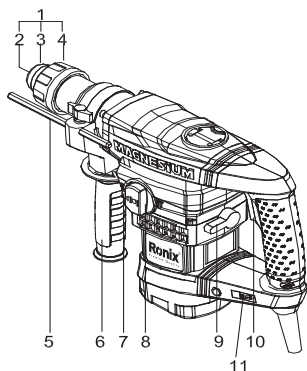
Degree of protection

IP / II

## Product Elements

1. SDS-plus replacement drill chuck
2. Tool holder (SDS-plus)
3. Dust protection cap
4. Locking sleeve
5. Depth gauge
6. Side handle
7. push button
8. Selector switch 1
9. Selector switch 2
10. On/Off switch
11. Speed controller

Not all the accessories illustrated or described included in standard delivery.



## For Your Safety

**WARNING! Read all**

*instructions. Failure to follow all instructions listed below may result in electric shock, fire and/or serious injury. The term "power tool" in all of the warnings listed below refers to your mains operated (corded) power tool or battery operated (cordless) power tool.*



## SAVE THESE INSTRUCTIONS

### 1) Work area

a) **Keep work area clean and well lit.** Cluttered and dark areas invite accidents.

b) **Do not operate power tools in explosive atmospheres, such as in the presence of flammable liquids, gases or dust.** Power tools create sparks which may ignite the dust or fumes.

c) **Keep children and bystanders away while operating a power tool.** Distractions can cause you to lose control.

**Ronix**<sup>®</sup>  
Premium Quality

2) Electrical safety

- a) **Power tool plugs must match the outlet. Never modify the plug in any way. Do not use any adapter plugs with earthed (grounded) power tools. Unmodified plugs and matching outlets will reduce risk of electric shock.**
- b) **Avoid body contact with earthed or grounded surfaces such as pipes, radiators, ranges and refrigerators. There is an increased risk of electric shock if your body is earthed or grounded.**
- c) **Do not expose power tools to rain or wet conditions. Water entering a power tool will increase the risk of electric shock.**
- d) **Do not abuse the cord. Never use the cord for carrying, pulling or unplugging the power tool. Keep cord away from heat, oil, sharp edges or moving parts. Damaged or entangled cords increase the risk of electric shock.**
- e) **When operating a power tool outdoors, use an extension cord suitable for outdoor use. Use of a cord suitable for outdoor use reduces the risk of electric shock.**

3) Personal safety

- a) **Stay alert, watch what you are doing and use common sense when operating a power tool. Do not use a power tool while you are tired or under the influence of drugs, alcohol or medication. A moment of inattention while operating power tools may result in serious personal injury.**
- b) **Use safety equipment. Always wear eye protection. Safety equipment such as dust mask, non-skid safety shoes, hard hat, or hearing protection used for appropriate conditions will reduce personal injuries.**
- c) **Avoid accidental starting. Ensure the switch is in the off position before plugging in. Carrying power tools with your finger on the switch or plugging in power tools that have the switch on invites accidents.**

- d) **Remove any adjusting key or wrench before turning the power tool on. A wrench or a key left attached to a rotating part of the power tool may result in personal injury.**
- e) **Do not overreach. Keep proper footing and balance at all times. This enables better control of the power tool in unexpected situations.**
- f) **Dress properly. Do not wear loose clothing or jewellery. Keep your hair, clothing and gloves away from moving parts. Loose clothes, jewellery or long hair can be caught in moving parts.**
- g) **If devices are provided for the connection of dust extraction and collection facilities, ensure these are connected and properly used. Use of these devices can reduce dust related hazards.**

4) Power tool use and care

- a) **Do not force the power tool. Use the correct power tool for your application. The correct power tool will do the job better and safer at the rate for which it was designed.**
- b) **Do not (use the power tool if the switch does not turn it on and off. Any power tool that cannot be controlled with the switch is dangerous and must be repaired.**
- c) **Disconnect the plug from the power source before making any adjustments, changing accessories, or storing power tools. Such preventive safety measures reduce the risk of starting the power tool accidentally.**
- d) **Store idle power tools out of the reach of children and do not allow persons unfamiliar with the power tool or these instructions to operate the power tool. Power tools are dangerous in the hands of untrained users.**
- e) **Maintain power tools. Check for misalignment or binding of moving parts, breakage of parts and any other condition that may affect the power tools operation. If damaged, have the power tool repaired**

**before use.** *Many accidents are caused by poorly maintained power tools.*

- f) **Keep cutting tools sharp and clean.** *Properly maintained cutting tools with sharp cutting edges are less likely to bind and are easier to control;*
- g) **Use the power tool, accessories and tool bits etc., in accordance with these instructions and in the manner intended for the particular type of power tool, taking into account the working conditions and the work to be performed.** *Use of the power tool for operations different from intended could result in a hazardous situation.*

## 5) Service

- a) **Have your power tool serviced by a qualified repair person using only identical replacement parts.** *This will ensure that the safety of the power tool is maintained.*

Connect the mains plug only when the tool is switched off. After using, pull the mains plug.

Always direct the cable to the rear away from the machine.

Do not carry the machine by the cable.

When working with the machine, always hold it firmly with both hands and provide for a secure stance.

During pauses in the work, when not in use or during work on the machine itself (e.g., changing of the working tools, repairs, cleaning, adjustment), pull the mains plug.

Persons under 16 year of age are not permitted to operate this machine.

Keep the tool accessories out of the reach of children.

Only use original accessories.

## Before Use



Be careful of hidden electrical lines or gas and water pipes. Check the working area, e.g. with a metal detector.

### Always use the correct supply voltage!

The voltage of the power source must agree with the

value given on the nameplate of the machine. Machines designated for 230 V can also be operated with 220 V.

## Intended Use

The machine is intended for hammer drilling in concrete, brick and stone.

## Tool Changing



Take care that the dust protection cap 3 is not damaged when changing tools.

### SDS-Plus Tools

The SDS-PLUS tool is designed to be freely movable. This causes eccentricity when the machine is offload. However, the drill automatically centers itself during operation. This does not affect drilling precision.

### Inserting

Clean and lightly the tool before inserting.

Insert the dust-free tool into the tool holder 2 with twisting until it latches.

The tool locks itself. Check the locking by pulling on the tool.

### Removing

Pull the locking sleeve 4 to the rear and hold while removing the tool.

### Tools without SDS-Plus

**Do not use tools without SDS-Max for hammer drilling or chiseling!**

## Putting into Operation

Switching on: Press the on- off switch 10

Switching off: Release the on- off switch 10

## Working Instructions

### Overload Clutch

If the drill bit becomes jammed or caught, the drive to the drill spindle is interrupted.

Because of the forces that occur as a result, always hold the machine with both hands and take a secure stance. The machine should be used only with an auxiliary handle.

### Side Handle/Depth Clamp

You will be able to obtain a safe position when working by rotating the handle 6 attachment. Loosen and turn the handle attachment in an anticlockwise direction.

**The tighten the handle attachment.**

Use depth gauge 5 to preset the drilling depth. And the scales shall be upwards.

**Operating Modes**

**Warning! Always switch OFF the electric supply when operating the mode selector switch!**

**Push the unlocking button Before switching the mode selector.**

**1. Hammer drill mode:**

Turn the mode selector switch 8 to "H", and turn switch 9 to the "H" direction.



**2. Chisel mode**

Turn the mode selector switch 8 to "H", and then turn switch 9 to the "H" direction.



**3. Drill mode**

Turn the mode selector switch 8 to "H", then turn switch 9 to "H" direction.



**Sharpening the Chiseling Tools**

With sharpened insertion tools, one achieves good working performance and long service life. Therefore, sharpen the chisel regularly.

Sharpen the chisel regularly.

Sharpen the tool on a grinding wheel (e.g. alumina oxide) with constant water supply.

Take care that the cutting edge does not show signs of coloration since this affects the hardness of the tool.

**Maintenance and Cleaning**



**Before any work on the machine itself, pull the mains plug.**

For safe and proper working, always keep the machine and the ventilation slots clean.

Clean the tool mount daily.

**Replacing the Dust Protection Cap**

**Damaged** dust protection caps should be replaced as possible since dust that enters the tool holder can cause malfunctions.

Pull back and hold the locking sleeve 5, pull off the dust cap 4 with a suitable tool.

With the locking sleeve pulled back, pull on the new dust cap until it sits firmly over the tool holder and the locking sleeve can again be slid forward.

If the machine should happen to fail despite the care taken in manufacture and testing, repair should be carried out by an authorized customer services agent for power tools.

For all correspondence and spare parts orders, always include the order number of the machine.

If the machine has accumulative worked 40 hours or drilled more than 2000 holes, or find that impact force isn't big, to keep the machine working normally, please use the grease which provided by manufacturer, add it into the cylinder, it can prolong the life of machine.

**Environmental Protection**



**Recycle raw materials instead of disposing as waste.**

Machine, accessories and packaging should be sorted for environment-friendly recycling.

These instructions are printed without chlorine.

The plastic components are labelled for categorized recycling.