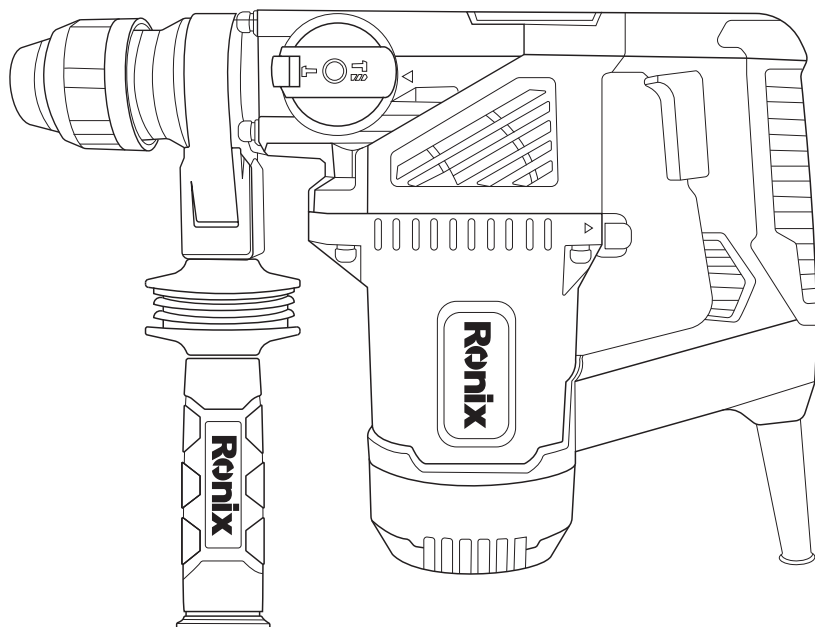


Ronix[®]

Premium Quality

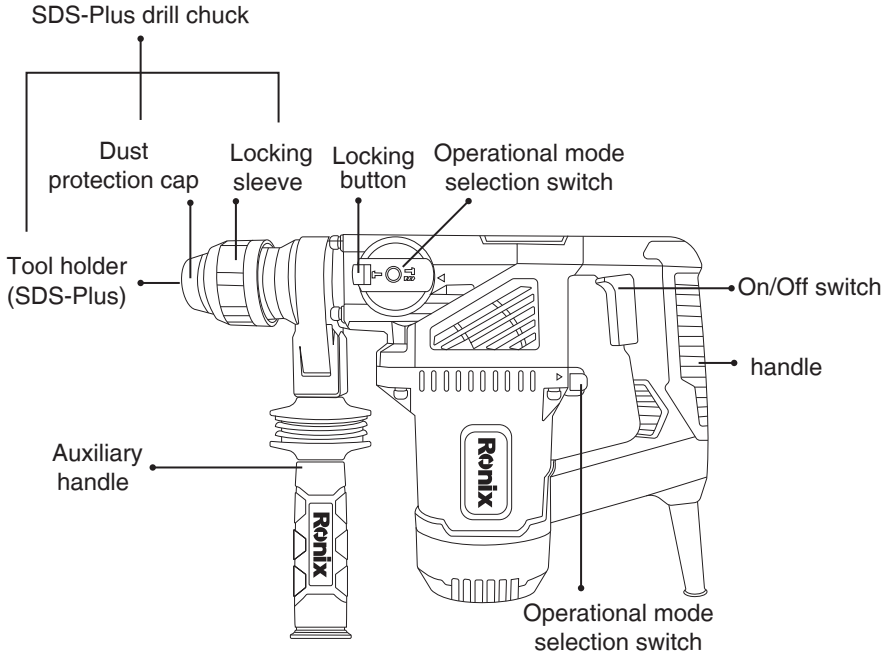
ROTARY HAMMER 28MM 2710



PRODUCT SPECIFICATIONS

Model	2710
Power	900W
Voltage	220-240V
Frequency	50-60Hz
No-load Speed	980RPM
Impact Rate	3850BPM
Impact Energy	4.0J
Toolholder	SDS Plus
Max. Drilling Diameter	Concrete: 28mm Steel: 10mm Wood: 40mm
Weight	4Kg
Accessories	SDS PLUS 8x150MM Drill Bit SDS PLUS 10x150MM Drill Bit SDS PLUS 12x150MM Drill Bit 14x250mm Point Chisel 14x250mm Flat Chisel Depth Stop Dust Cap Grease Pot Carbon Brushes Side Handle

PARTS LIST



INTENDED USE

The machine is intended for hammer drilling in concrete, brick and stone. It is likewise suitable for drilling without impact in wood, metal, ceramic and plastic.

GENERAL SAFETY RULES

■ WORK AREA

- Keep work area clean and well lit. Cluttered and dark areas invite accidents.
- Do not operate power tools in explosive atmospheres, such as in the presence of flammable liquids, gases or dust. Power tools create sparks which may ignite the dust or fumes.

- Keep children and bystanders away while operating a power tool. Distractions can cause you to lose control.

■ ELECTRICAL SAFETY

- Power tool plugs must match the outlet. Never modify the plug in any way. Do not use any adapter plugs with earthed (grounded) power tools. Unmodified plugs and matching outlets will reduce risk of electric shock.
- Avoid body contact with earthed or grounded surfaces such as pipes, radiators, ranges and refrigerators. There is an increased risk of electric shock if your body is earthed or grounded.
- Do not expose power tools to rain or wet conditions. Water entering a power tool will increase the risk of electric shock.
- Do not abuse the cord. Never use the cord for carrying, pulling or unplugging the power tool. Keep cord away from heat, oil, sharp edges or moving parts. Damaged or entangled cords increase the risk of electric shock.
- When operating a power tool outdoors, use an extension cord suitable for outdoor use. Use of a cord suitable for outdoor use reduces the risk of electric shock.
- If operating a power tools in a damp location is unavoidable, use a residual current device (RCD) protected supply. Use of an RCD reduces the risk of electric shock.

■ PERSONAL SAFETY

- Stay alert, watch what you are doing and use common sense when operating a power tool. Do not use a power tool while you are tired or under the influence of drugs, alcohol or medication. A moment of inattention while operating power tools may result in serious personal injury.
- Use safety equipment. Always wear eye protection. Safety equipment such as dust mask, non-skid safety shoes, hard hat, or hearing protection used for appropriate conditions will reduce personal injuries.
- Avoid accidental starting. Ensure the switch is in the off position before plugging in. Carrying power tools with your finger on the switch or plugging in power tools that have the switch on invites accidents.

- Remove any adjusting key or wrench before turning the power tool on. A wrench or a key left attached to a rotating part of the power tool may result in personal injury.
- Do not overreach. Keep proper footing and balance at all times. This enables better control of the power tool in unexpected situations.
- Dress properly. Do not wear loose clothing or jewelry. Keep your hair, clothing and gloves away from moving parts. Loose clothes, jewelry or long hair can be caught in moving parts.
- If devices are provided for the connection of dust extraction and collection facilities, ensure these are connected and properly used. Use of these devices can reduce dust related hazards.

■ POWER TOOL USE AND CARE

- Do not force the power tool. Use the correct power tool for your application. The correct power tool will do the job better and safer at the rate for which it was designed.
- Do not (use the power tool if the switch does not turn it on and off. Any power tool that cannot be controlled with the switch is dangerous and must be repaired.
- Disconnect the plug from the power source before making any adjustments, changing accessories, or storing power tools. Such preventive safety measures reduce the risk of starting the power tool accidentally.
- Store idle power tools out of the reach of children and do not allow persons unfamiliar with the power tool or these instructions to operate the power tool. Power tools are dangerous in the hands of untrained users.
- Maintain power tools. Check for misalignment or binding of moving parts, breakage of parts and any other condition that may affect the power tools operation. If damaged, have the power tool repaired before use. Many accidents are caused by poorly maintained power tools.
- Keep cutting tools sharp and clean. Properly maintained cutting tools with sharp cutting edges are less likely to bind and are easier to control;

- Use the power tool, accessories and tool bits etc., in accordance with these instructions and in the manner intended for the particular type of power tool, taking into account the working conditions and the work to be performed. Use of the power tool for operations different from intended could result in a hazardous situation.

■SERVICE

your power tool serviced by a qualified repair person using only identical replacement parts. This will ensure that the safety of the power tool is maintained.

SPECIAL WARNING FOR ELECTRIC HAMMER

- Wear ear protection. Exposure to noise can cause hearing loss.
- Use auxiliary handle with the tool. Loss of control can cause personal injury.

■ADDITIONAL SAFETY INSTRUCTIONS FOR YOUR HAMMER DRILL

- Wear protective goggles.
- When working, sparks or flying splinters, shavings, and dust can cause loss of vision

NOTE:

- Working safely with this machine possible only when the operating and safety information are read completely and the instructions contained therein are strictly followed.
- Before using for the first time, ask for a practical demonstration.
- If the cable is damaged or cut through while working, do not touch the cable but immediately pull the mains plug.
- Never use the machine with a damaged cable.
- Wear safety glasses, protective gloves and sturdy shoes.
- Wear ear protection to prevent damage to your hearing.
- The machine must not be damp and must not be operated in a wet environment.

- Keep long hair away from the machine.
- Do not operate while wearing loose clothing.
- Connect the mains plug only when the tool is switched off. After using, pull the mains plug.
- Always direct the cable to the rear away from the machine.
- Do not carry the machine by the cable.
- When working with the machine, always hold it firmly with both hands and provide for a secure stance.
- During pauses in the work, when not in use or during work on the machine itself (e.g., changing of the working tools, repairs, cleaning, adjustment), pull the mains plug.
- Persons under 16 year of age are not permitted to operate this machine.
- Keep the tool accessories out of the reach of children.
- Only use original accessories.

BEFORE USE

- Be careful of hidden electrical lines or gas and water pipes. Check the working area, e.g. with a metal detector.
- Always use the correct supply voltage!
- The voltage of the power source must agree with the value given on the nameplate of the machine. Machines designated for 220V.

TOOL CHANGING

NOTE:

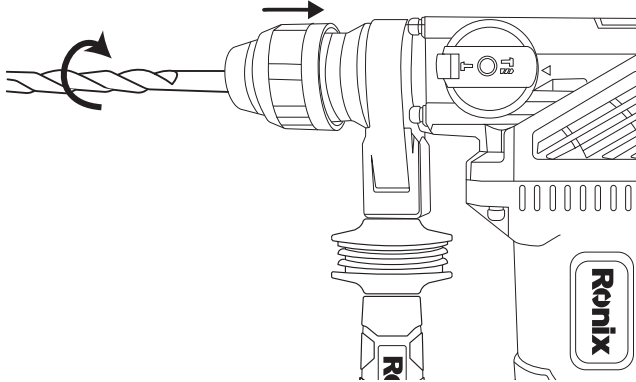
Take care that the dust protection cap is not damaged when changing tools.

■ SDS-PLUS TOOLS

The SDS-Plus tool is designed to be freely movable. This causes eccentricity when the machine is offload. However, the drill automatically centers itself during operation. This does not affect drilling precision.

■ INSERTING TOOL

- Clean lightly the tool before inserting.
- Pull the Locking sleeve backward
- Insert the tool into the tool holder and rotate it to engage.
- Release the Locking sleeve and make sure the tool is locked out by pulling it out.



■ REMOVING TOOL

- Pull the locking sleeve to the rear and hold while removing the tool.
- Do not use tools without SDS-plus for hammer drilling or chiseling.

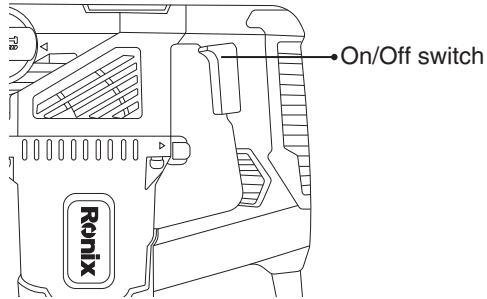
OPERATION

■ SWITCHING ON

Press the on- off switch

■ SWITCHING OFF

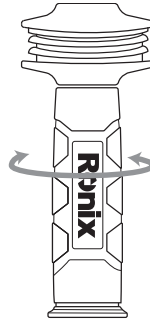
Release the on- off switch



WORKING INSTRUCTIONS

■ AUXILIARY HANDLE

You will be able to obtain a safe position when working by rotating the handle attachment. Loosen and turn the handle attachment in an anticlockwise direction. Then tighten the handle attachment.



■ DEPTH STOP

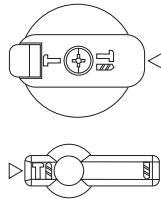
Loosen auxiliary handle. Adjust the drilling depth on the depth stop. Retighten the winged screw.

■ OPERATING MODES

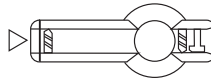
WARNING!

When switching operation modes, please trigger ON/OFF switch slightly.

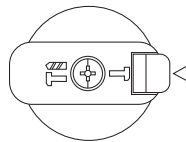
1) Hammer Drilling



2) Drilling



3) Hammering



■ SHARPENING THE CHISELING TOOLS

With sharpened insertion tools, one achieves good working performance and long service life. Therefore, sharpen the chisel regularly.

Sharpen the tool on a grinding wheel (e.g. alumina oxide) with constant water supply.

MAINTENANCE AND CLEANING

⚠ NOTE:

Do not attempt to manipulate at any time during the warranty period and, in the event of any inconvenience, ask for help from authorized **RONIX AFTER SALES SERVICE** representatives.

- Before any work on the machine itself, pull the mains plug.
- For safe and proper working, always keep the machine and the ventilation slots clean.
- Clean the tool mount daily.

■ REPLACING THE DUST PROTECTION CAP

- Damaged dust protection caps should be replaced as possible since dust that enters the tool holder can cause malfunctions.
- Pull back and hold the locking sleeve
- Pull off the dust cap with a suitable tool.
- With the locking sleeve pulled back, pull on the new dust cap until it sits firmly over the tool holder and the locking sleeve can again be slid forward.

ENVIRONMENTAL PROTECTION

- Recycle raw materials instead of disposing as waste.
- Machine, accessories and packaging should be sorted for environment-friendly recycling.
- These instructions are printed without chlorine.
- The plastic components are labeled for categorized recycling.

NOTE:

To maintain product SAFETY and RELIABILITY, repairs, any other maintenance or adjustment should be performed by **RONIX SERVICE** Authorized centers, always using **RONIX** replacement parts.

Ronix[®]
Premium Quality