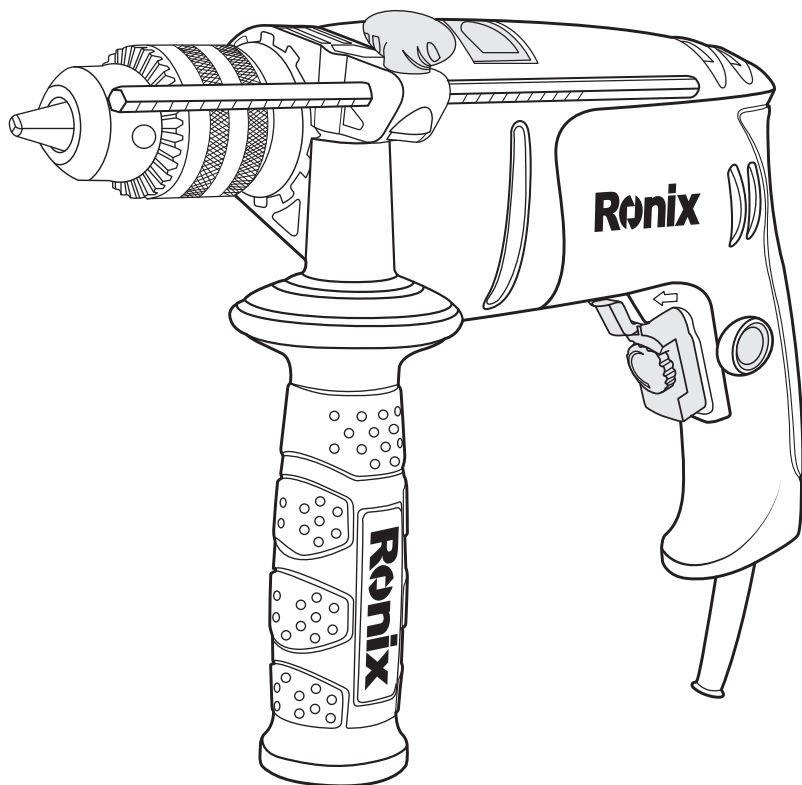


Ronix[®]

Premium Quality

IMPACT DRILL 13mm 2210



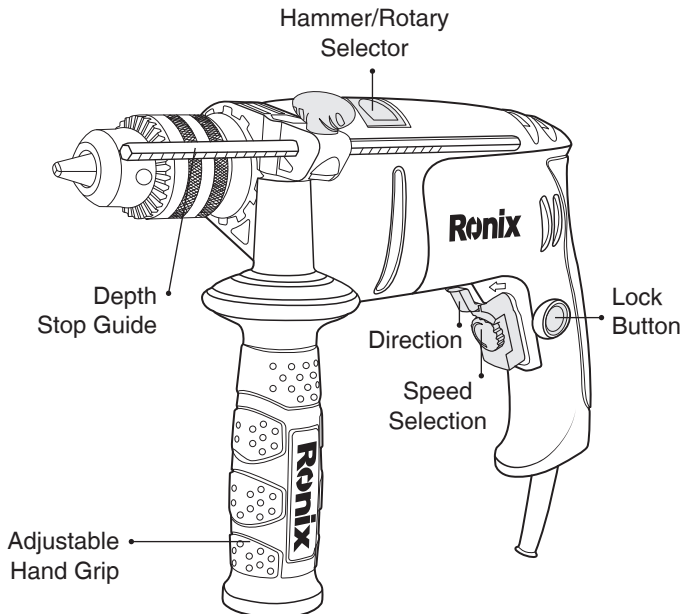
SPECIFICATION

Model	2210
Voltage	220-240V
Frequency	50-60Hz
Input power	810W
No load speed	0-3000RPM
Chuck size	13mm
Steel	13mm
Concrete	13mm
Wood	25mm
Net Weight	2.4Kg

⚠ NOTE:

Please keep this instruction manual for future reference.

PARTS LIST



- 1) Speed selection: With the speed selection via the regulator wheel you have optimum control of the machine.
- 2) Lock button: The machine can be set to continuous operation with locking button.
- 3) Adjustable Hand grip: The second handle gives you an additional way the holding the machine firmly.
- 4) Hammer / rotary selector: Depending on the position of the percussion drilling/drilling switch you can use your drilling machine as a percussion drill or rotating drill.
- 5) Direction: The direction switch controls the direction of motion when the machine is used as a screwdriver or if you would like to remove a drilling bit that has become jammed.
- 6) Depth Stop Guide: Using the adjustable bit stop you can fix depth of blind holes accurately during drilling.

OPERATING INSTRUCTIONS

Please read the operation instructions meticulously and pay particular attention to the safety instructions.



NOTE:

This device is exclusively for private use! It is not commercial use!



WARNING!

When working with electrical device the following prevention and safety instructions are to be observed to avoid fires, electric shocks and physical injuries.

GENERAL SAFETY INSTRUCTION

■ WORK AREA

- Keep your work area clean and well lit. Cluttered benches and dark areas invite accidents.
- Flammable liquids, gases, or dust. Power tools create sparks which

may ignite the dust or fumes. Do not operate power tools in explosive atmospheres, such as in the presence of flammable liquids, gases, or dust.

- Keep bystanders, children, and visitors away while operating a power tool. Distractions can cause you to lose control.

■ ELECTRICAL SAFETY

- Power tool plugs must match the outlet. Never modify the plug in any way. Do not use any adapter plugs with earthed (grounded) power tools. Unmodified plugs and matching outlets will reduce risk of electrical shock.

- Avoid body contact with earthed or grounded surface such as pipes, radiators, ranges and refrigerators. There is an increased risk of electric shock if your body is earthed or grounded.

- Do not expose power tools to rain wet conditions. Water entering a power tool will increase the risk of electric shock.

- Do not abuse the cord. Never use the cord of carrying, pulling or unplugging the power tool. Keep cord away from heat, oil sharp edges or moving parts. Damaged or entangled cords increase the risk of electric shock.

- when operating a power tool outdoors, use an extension cord suitable use. Use of a cord suitable for outdoor use reduces the risk of electric shock.

■ PERSONAL SAFETY

- Stay alert, watch what you are doing and use common sense when operating a power tool. Do not use a power tool while you are tired or under the influence of drugs, alcohol or medication. A moment of inattention while operating power tools may result in serious injury.

- use safety equipment. Always wear eye protection safety equipment such as dust mask, nonskid safety shoes, hard hat, or hearing protection used for appropriate conditions will reduce personal injuries.

- Avoid accident starting. Ensure the switch is in the off position before plugging in. carrying power tools with your finger on the switch or plugging power tools that have the switch on invites accident.

- Remove any adjusting key or wrench before turning the power tool

on. A wrench before turning the power tool on. A wrench or a key left attached to a rotating part of the power tool may result in personal injury.

- Do not overreach. Keep proper footing and balance at all times. This enables better control of the power tool in unexpected situations.
- Dress properly. Do not wear loose clothing or jewelry. Keep your hair, clothing and gloves away from moving parts. Loose clothes, jewelry or long hair can be caught in moving parts.

■ **TOOL USE AND CARE**

- Do not force the power tool. Use the correct power tool for your application. The correct power tool will do the job better and safer at the rate for which it was designed.
- Do not use the power tool if the switch does not turn it on and off, my power tool that cannot be controlled with the switch is dangerous and must be repaired.
- Disconnect the plug from the power source before making any adjustments, changing accessories, or storing power tools. Such preventive safety measures reduce the risk of starting the power tool accidentally.
- unfamiliar with the power tool or these instructions to operate the power tool. Power tools are dangerous in the hands of untrained users.
- Maintain power tools. Check for misalignment or binding of moving parts, breakage of parts and any other condition that may affect the power tools operation. If damaged, have the power tool repaired before use. Many accidents are caused by poorly maintained power tools.
- Keep cutting tools sharp and clean. Properly maintained cutting tools with sharp cutting edges are less likely to bind and are easier to control.
- Use the power tool, accessories and tool bits etc., in accordance with these Instructions and in the manner intended for the particular type of power tool, taking into account the working conditions and the work to be performed. Use of the power tool for operations different from intended could result in a hazardous situation.

■ SPECIAL SAFETY INFORMATION FOR DRILL

- When drilling screwing into walls, ceiling etc. make sure beforehand that you will not damage any hidden electric cables, during this work you should not touch metal parts of the machine. Only touch the machine by the plastic housing.
- Your machine is double insulated. This means that two completely independent types of insulation prevent you from coming into contact with live metal parts. This measure represents a high degree of protection against an electric shock.

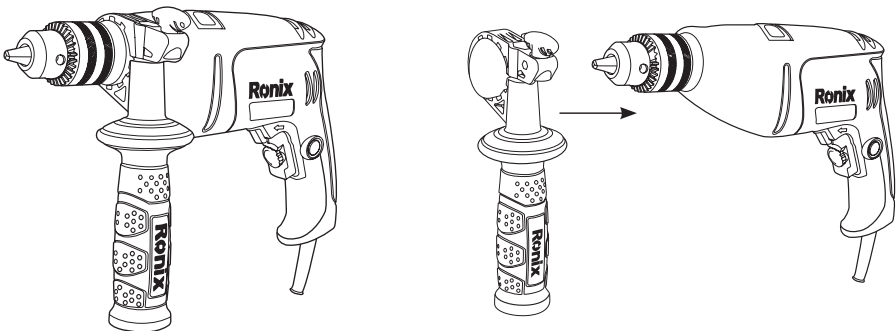
OPERATION & USE

⚠ WARNING!

When performing the following work, always ensure that the machine is not connected to the mains power supply.

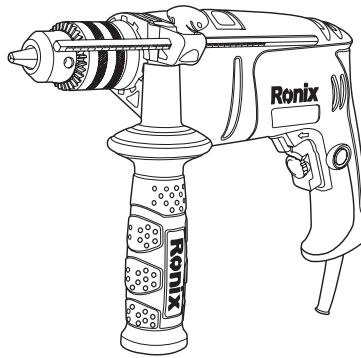
■ INSERTING THE SECOND HANDLE

In order to assemble the second, the second handle, release it by rotating lower part anti-clockwise so that you can easily pull the handle over the drill chuck on the flange located behind it. Then turn the handle to working position that is comfortable for you and fix it in place by tightening it (rotating the lower part clockwise)



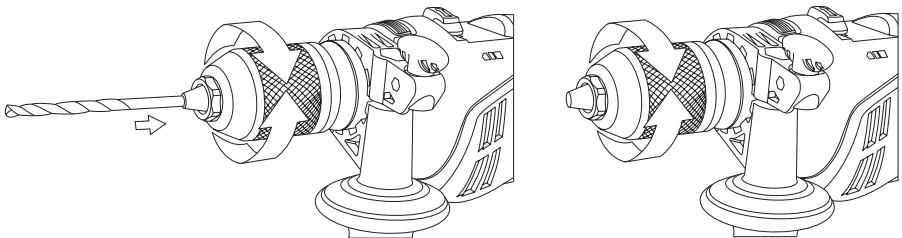
■ ADJUSTING THE DEPTH STOP GUIDE

- The second handle has a retainer for the depth Stop Guide.
 - Insert a drill.
 - Now release the handle.
 - Push the bit stop forwards until its end is in line with the end of the drill.
- Now push the depth Stop Guide back until the distance between the end of the bit and the end of the drill corresponds to the depth to which you would like to drill.



■ INSERTING THE DRILL

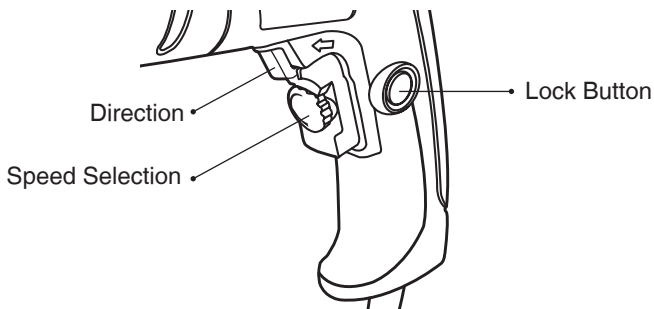
First remove the mains supply from the socket. Turn the ring of the drill chuck until the clamping jaws are open wide enough. Insert the drill into the clamping jaws of the drill chuck. Insert the end of the drill chuck key into one of the three holes on the body of the drill chuck and let the head of the key lock into place in the ring of the drill chuck in order to lighten the clamping jaws and fix the drill in place. Turn the drill chuck key in a clockwise direction. Important: Then remove the key from the chuck.



■ WORKING WITH THE DRILLING MACHINE

Ensure that the mains power supply voltage is the same as the operating voltage of your machine. For details, please see the type plate. Insert the correct drill for the type of job to be performed. If necessary, adjust the bit stop.

The more the operating switch is pressed in, the faster the drill rotates. Set the direction switch to the desired direction of motion. Never alter the position of the percussion drilling switch or the direction switch when the machine is switched on. The machine is switched on by pressing the operating switch. When the operating switch is released, the machine stop. If you would like to use continuous operation press the locking button while the operating switch is pressed. In order to switch off the machine during continuous operation, press the operating switch again the operating switch again and then let it go. Do not touch the drill chuck while the machine is switched on.



DRILLING TIPS

- Always insert the correct size and drill or screwdriver.
- Set the machine to the correct speed.
- Always hold the machine tightly by the handle and second handle.
- When drilling wood and metal, set the percussion drilling switch to drilling.
- When drilling masonry, set the percussion-drilling switch to percussion drilling.
- When using the machine as a screwdriver, set the percussion- drilling

switch to drilling.

- Set the direction switch to the correct direction.
- Never change the direction of motion when the machine is switched on.

CARE OF THE TOOLS

■ OVERLOAD

Never use excessive force when drilling. Too much pressure reduces the speed of the machine, and the required power is greatly reduced. This may result in overload, which can damage the motor of the drilling machine. When the drilling machine becomes too hot, allow it to run for two minutes without a load and then interrupt working for a short time. Clean the drilling machine with a clean cloth and a brush. Ensure that the ventilation slits are not blocked.

This appliance conforms to CE directive for radio interference suppression and low-voltage safety and has been built to meet current safety requirements. Subject to technical changes without prior notice!

Ronix[®]
Premium Quality

www.ronixtools.com