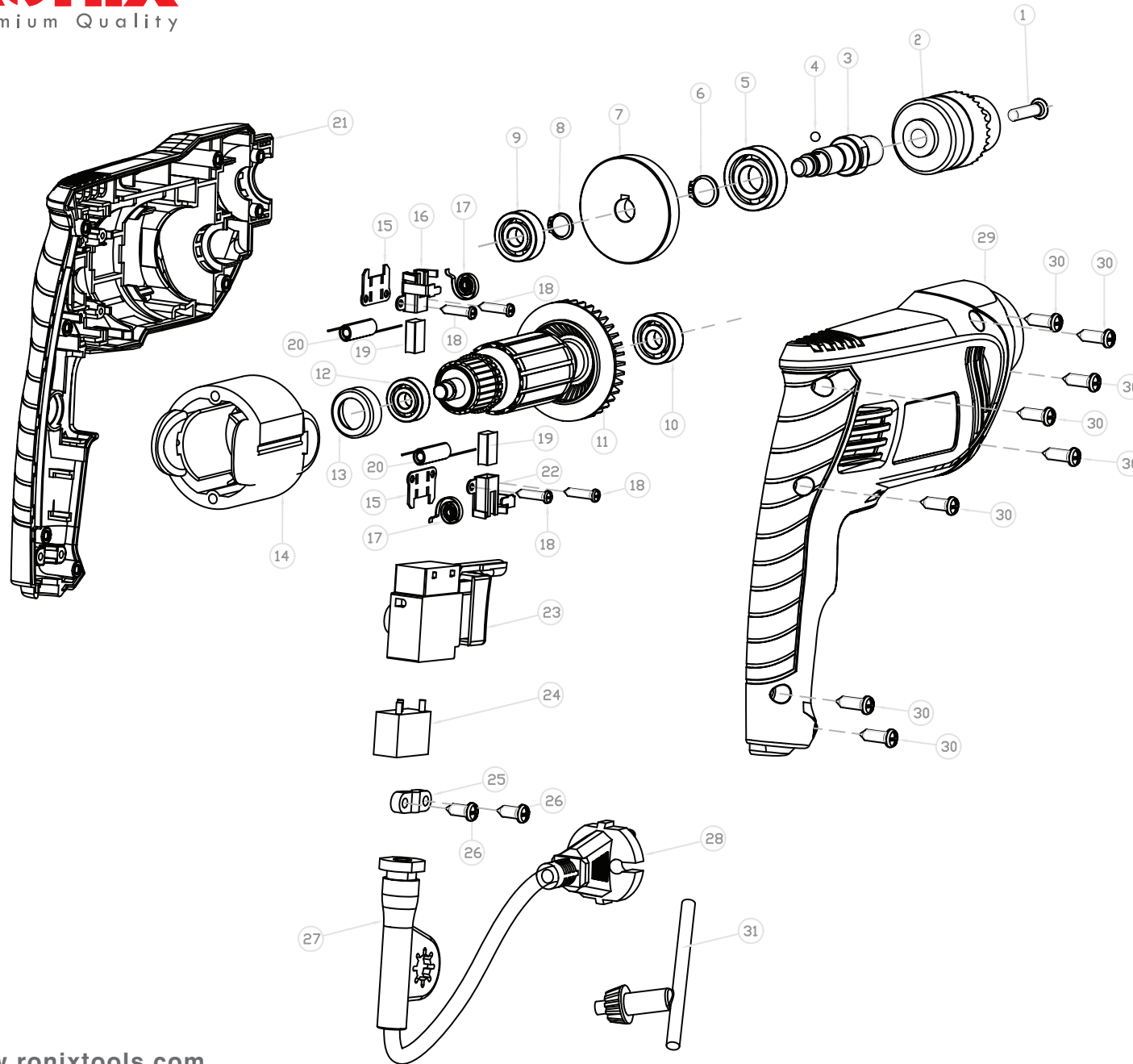


POWER TOOLS



Number	Name
1	screw
2	chuck
3	output shaft
4	steel ball
5	bearing
6	retaining ring
7	gear
8	retaining ring
9	bearing
10	bearing
11	rotor
12	bearing
13	bearing sleeve
14	stator
15	brush holder gasket
16	upper copper brush holder
17	coil spring
18	screw
19	carbon brush
20	inductance
21	left housing
22	lower copper brush holder
23	switch
24	capacitor
25	cable pressure pad
26	screw
27	cable sleeve
28	cable
29	right housing
30	screw
31	chuck spanner