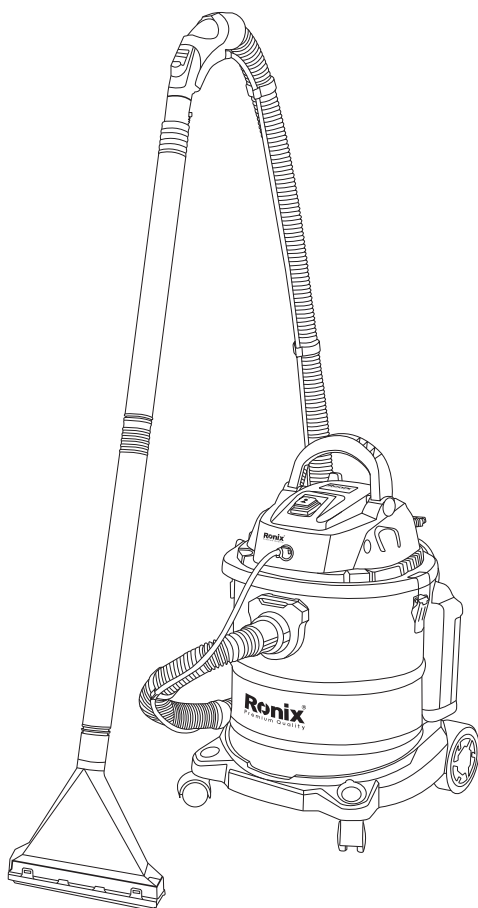


Ronix[®]

Premium Quality

CARPET VACUUM CLEANER 1250

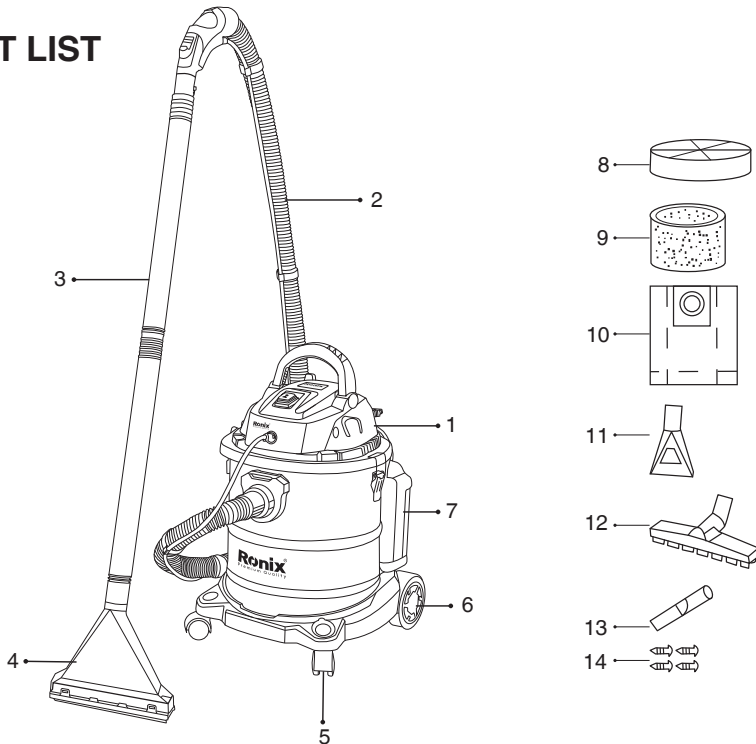


www.ronixtools.com

TECHNICAL SPECIFICATIONS

Model	1250
Power	1400W
Voltage	220-240V
Frequency	50-60Hz
Dust Capacity	20L
Vacuity	>18KPA
Airflow Rate	1.8m ³ /min
Accessory	32mmx1.8m plastic hose with detergent gun 2pcs 32mmx44cm plastic tubes(New material) HEPA filter + Sponge filter 20L dust bag 32mm sofa brush 32mm carpet spray brush 32mm 20cm crevice nozzle 32mm wet&dry floor brush

PART LIST



- 1- Tank unit (head, Tank, base)
- 2- Flexible hose + detergent spray gun
- 3- Connection tubes
- 4- Washing brush (for carpet)
- 5- Front wheels
- 6- Rear wheels
- 7- Detergent tank
- 8- HEPA filter
- 9- Sponge filter
- 10- Dust bag (for dry use)
- 11- Washing brush (for sofa)
- 12- Wet&dry floor brush
- 13- Crevice nozzle
- 14- Screws (for rear wheels)

GENERAL SAFETY RULES

WARNING!

Before operating this appliance, please ensure that you read & understand all the instructions that apply to it, as failure to comply with these instructions may result in personal injury to other person, and also increase the risk of fire or electrical shock. Please ensure that any replacement parts or accessories used with this appliance are correctly and/or securely fitted before use.

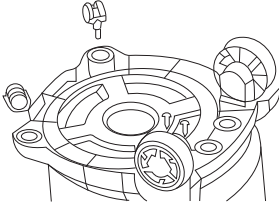
PLEASE RETAIN THE INSTRUCTIONS FOR CONSTANT REFERENCE.

PRODUCT CHARACTERISTICS

- 1-Vacuum cleaner for wet and dry
- 2-Carpet and sofa washing function
- 3-Jacks on the base for depositing accessories
- 4-Blowing function, satisfying different requirements

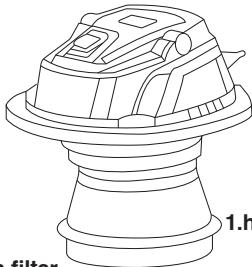
INSTALLATION PROCESS

■ BASE & WHEELS



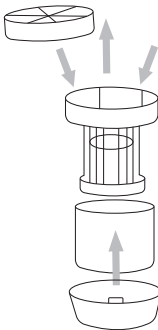
Press the 2pcs front wheels into the base position, and screw the 2pcs rear wheels.

■ FILTERS



1.head unit

2.Hepa filter



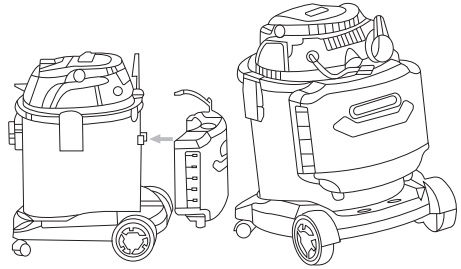
3.water valve unit

4.sponge filter

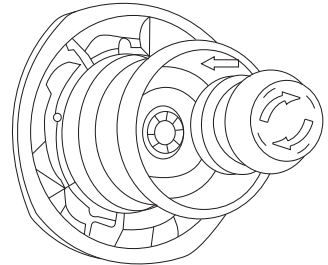
5.water separation cover

1-Assemble Hepa filter according to the picture.

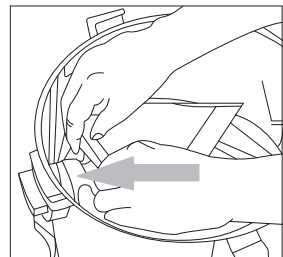
■ DETERGENT TANK



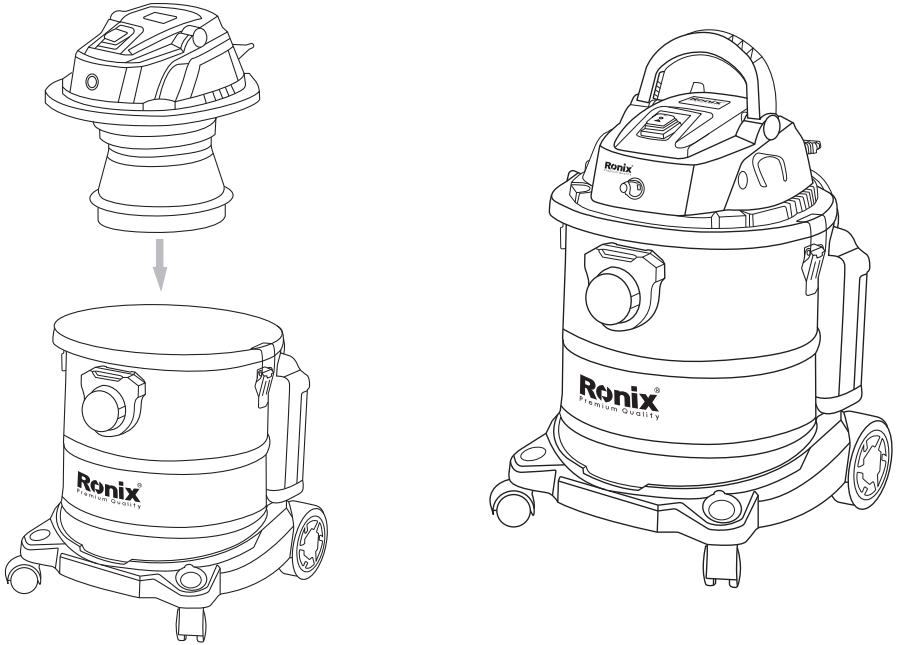
Fit the detergent tank on the base, with the humps into the slots; Press the detergent tank onto the stainless steel one, and buckle it



2-Insert the water valve unit into the head unit, and turn it clockwise to lock.



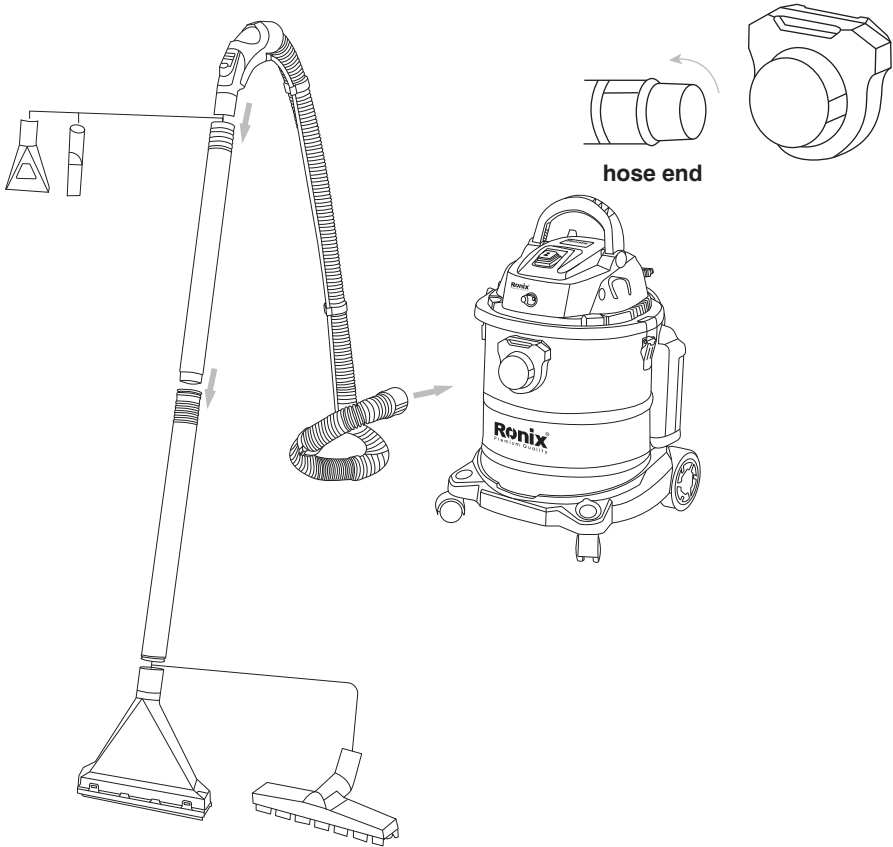
3-Before cleaning dry dust, lock the dust bag onto the suction port on tank.



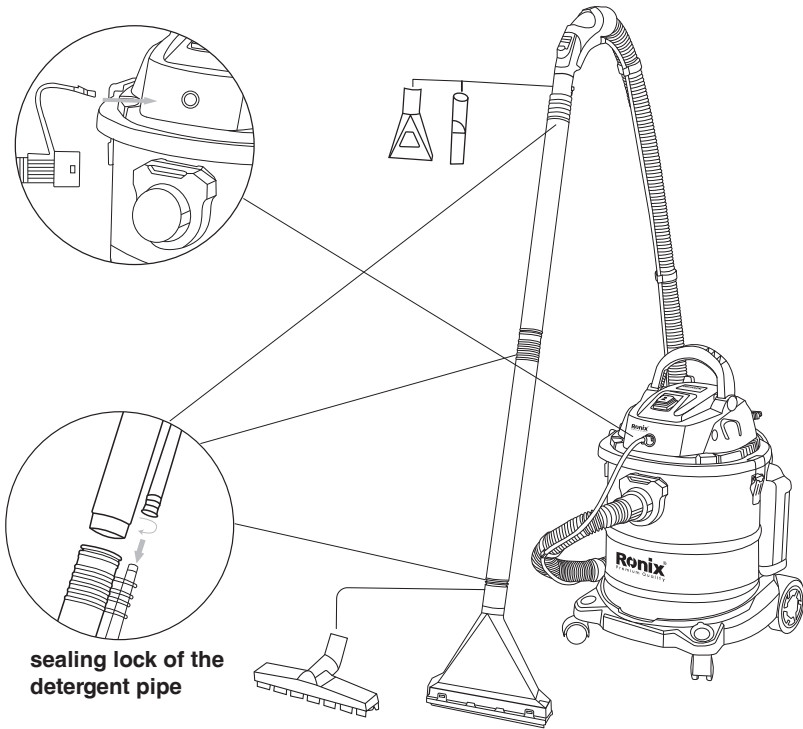
4. Buckle the head unit on the tank well after upper process.

HOSE, TUBE, BRUSH & DETERGENT PIPE

⚠ Check the leakproofness and tightness of the following junctures of different parts, in case of suction and sewage leakage.



1-Connect the hose, 2pcs tubes and different kinds of brushes together according to the picture; different brushes should be connected with the detergent spray gun, or 2pcs tubes respectively; twist the hose end clockwise.

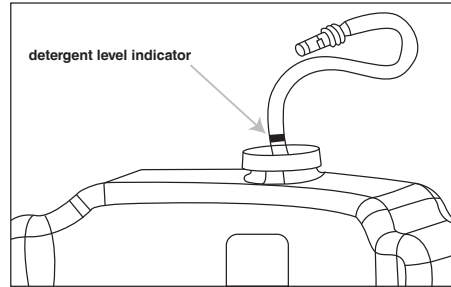
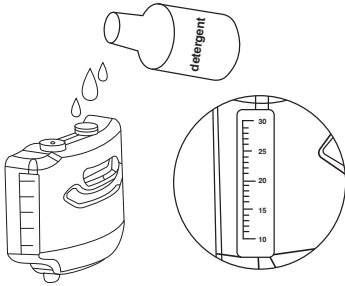


sealing lock of the detergent pipe



2. Before operating the detergent sprayer, fit all the sealing locks at the right position and twist them clockwise

■ DETERGENT

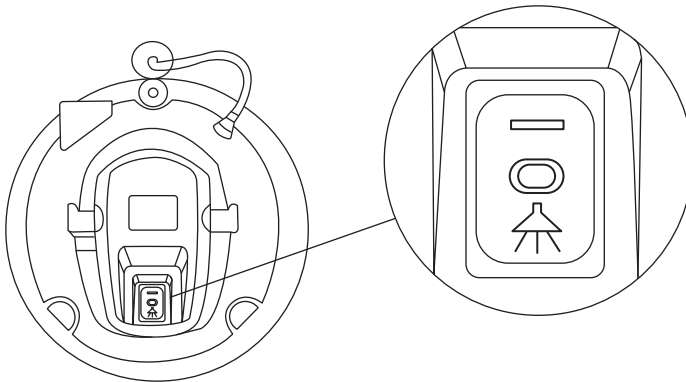


- 1-Fill the detergent tank with detergent; the max volume is 3L;
- 2-Thick detergent should be diluted or the pipe might be clogged.

The detergent level indicator should always be under the opening of the detergent tank, otherwise detergent will be hard to pumped out.

OPERATION

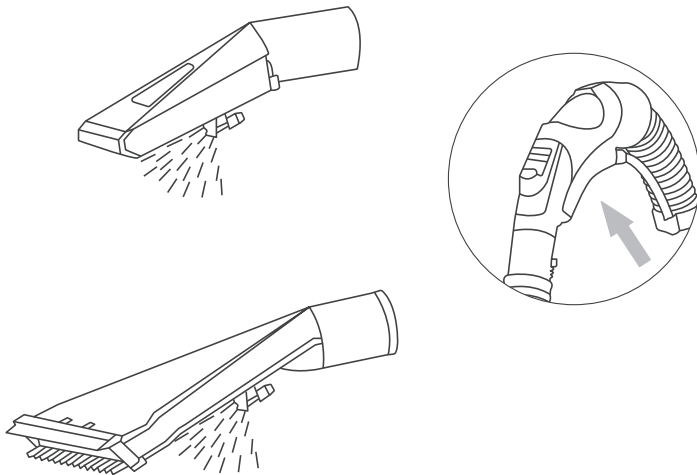
■ SWITCH



- At 'I' stage, the unit works as a common wet&dry vacuum cleaner;
at 'O' stage, it's switched off;
at '⚡' stage, the detergent pump and spray gun works.

■ CARPET & SOFA WASHING

Choose the corresponding brush for cleaning and please review Part 2 for learning what brush it should be; make sure that there's enough detergent in the tank for keeping the best performance; dust bag should be removed as sewage will ruin it. Before washing, it's better to have a pre-cleaning for the large particles, as washing brushes are not capable of cleaning them.



1-Press the button of the detergent spray gun, thus detergent will spray out from the sprayer nozzle of carpet brush and sofa brush (wait for tens of seconds in the first use, so that the the detergent can be pumped out).

2-Move the brush on the carpet or sofa surface evenly and slowly, for making sure that the detergent is sprayed uniformly.

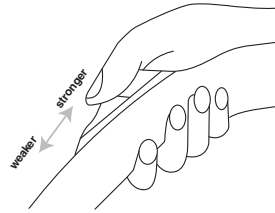
3-Brush the carpet or sofa, meanwhile, vacuum the sewage for cleaning purpose.

■ FLOOR CLEANING



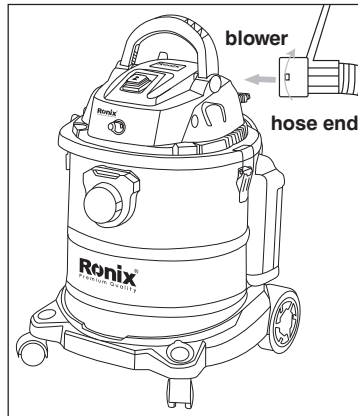
Use the wet&dry floor brush for cleaning floor, dust, rubbish, spillage, etc.

■ AIRFLOW ADJUSTMENT



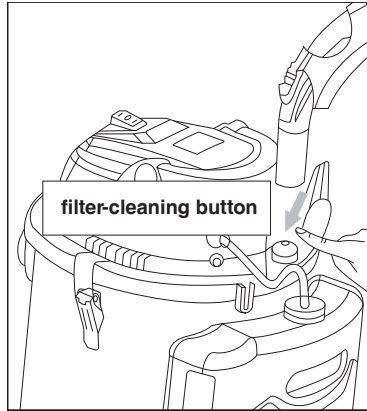
Press the button on the detergent spray gun to adjust the suction.

■ FLOOR CLEANING



1. Insert the end of the plastic hose into The blower, and twist it clockwise to Lock;
2. Switch on the vacuum cleaner to start the blower.

■ FILTER-CLEANING FUNCTION



Under use of cleaning thick dust in garden, workshop, newly decorated room, the filters will get clogged easily. In this case, press the filter cleaning button on the back of the unit head (with finger or the spray gun) for several times, and the suction power will recover for a while. Meanwhile when blocking the suction port, it will be more effective.

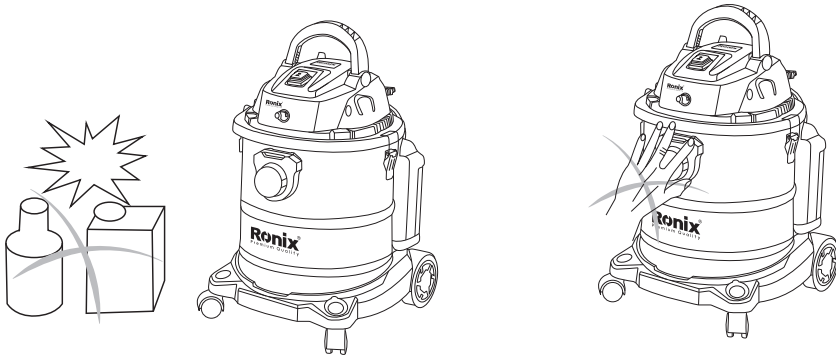
■ SAFETY INSTRUCTION

- 1-Before operation, please check if the local power supply is the same as it's rated in the label.
- 2-If there's any liquid out from the blower, do not overturn the appliance when repairing it in case that water goes into the motor and causes damage.
- 3-Do not use this machine as a pump.
- 4-Remember to turn off the appliance and remove the plug every time after use or when being repaired.
- 5-Keep machine away from strong sunlight and high temperature place in case plastic is distorted.

6-Do not wrest, tramp, or haul hose in case of making it damaged.

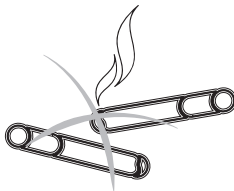
7-Do not immerse the head unit in water or wash with water in case that water goes into the electrophorus parts and causes personal injury.

8-The electrical parts must be replaced by the designated repairing center or professionals

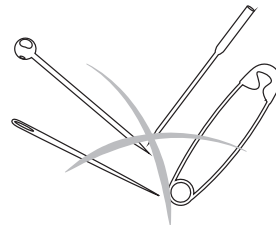


9-Do not use this appliance in any combustible and explosive place in case that the motor spark causes fire.

10-Do not jam the air inlet mouth, in case temperature rises and damaging the motor.



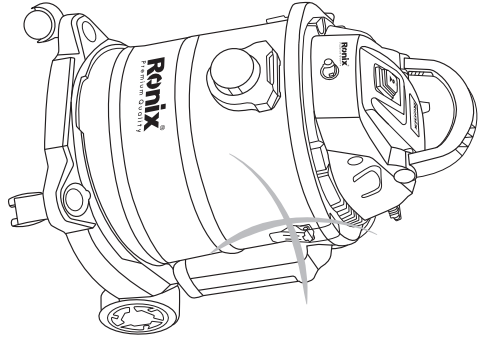
11-Do not collect combustible and explosive objects such as glowing cigarettes, gasoline, etc.



12-Do not collect sharp objects like pins and screws in case of hurting the inner parts and filters.

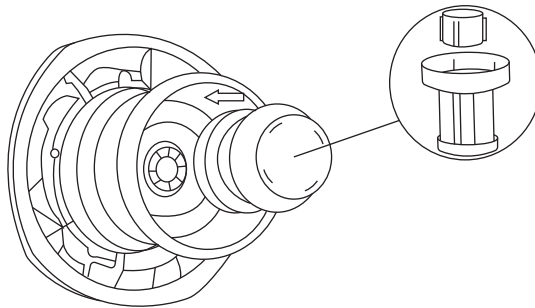


13-Do not collect objects which can easily attach on the filter such as calcareousness powder, gesso and graphite powder. Because those will block the ventilation damage motor.



14-Do not overturn the machine in case water goes into the motor and damages the motor.

■ PROTECTIVE DEVICE (WATER VALVE)



1-When the water in the barrel is full, the device begins to work. The suction power will vanish at this moment. The machine will make some noise which indicates the motor is running at high speed. Under this circumstance, please cut off the power, and clean out the water.

2-The water valve will block the air inlet inside thus making the abnormal sound, if the appliance is turned over. Please right it in time.

MAINTENANCE

■CLEANING

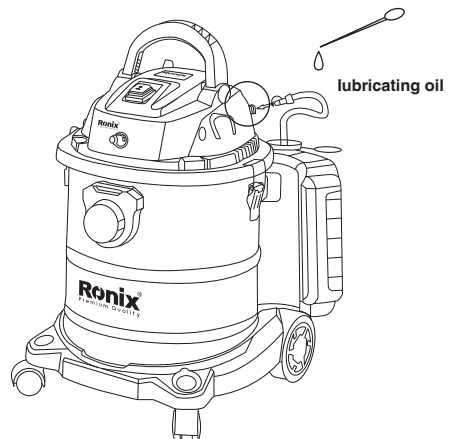
After heavy work or when the barrel is full of dust and sewage which causes suction decrease, please follow the procedure for maintenance.

- 1-Unfasten the clips and leave the head unit.
- 2-Take off the filter bag, pour out and clean up the dust and sewage in tank, and wipe the tank dry.
- 3-Wash and clean the filters, including HEPA filter and sponge filters; filters should be dried before the next use. As filters are consumables, please replace them accordingly for keeping the best performance.
- 4-Reinstall all the accessories and units and following Part 3.



■LUBRICATING OIL

Moderate lubricating oil should be added to the sealing locks and pipe jacks for Keeping the smooth operation.



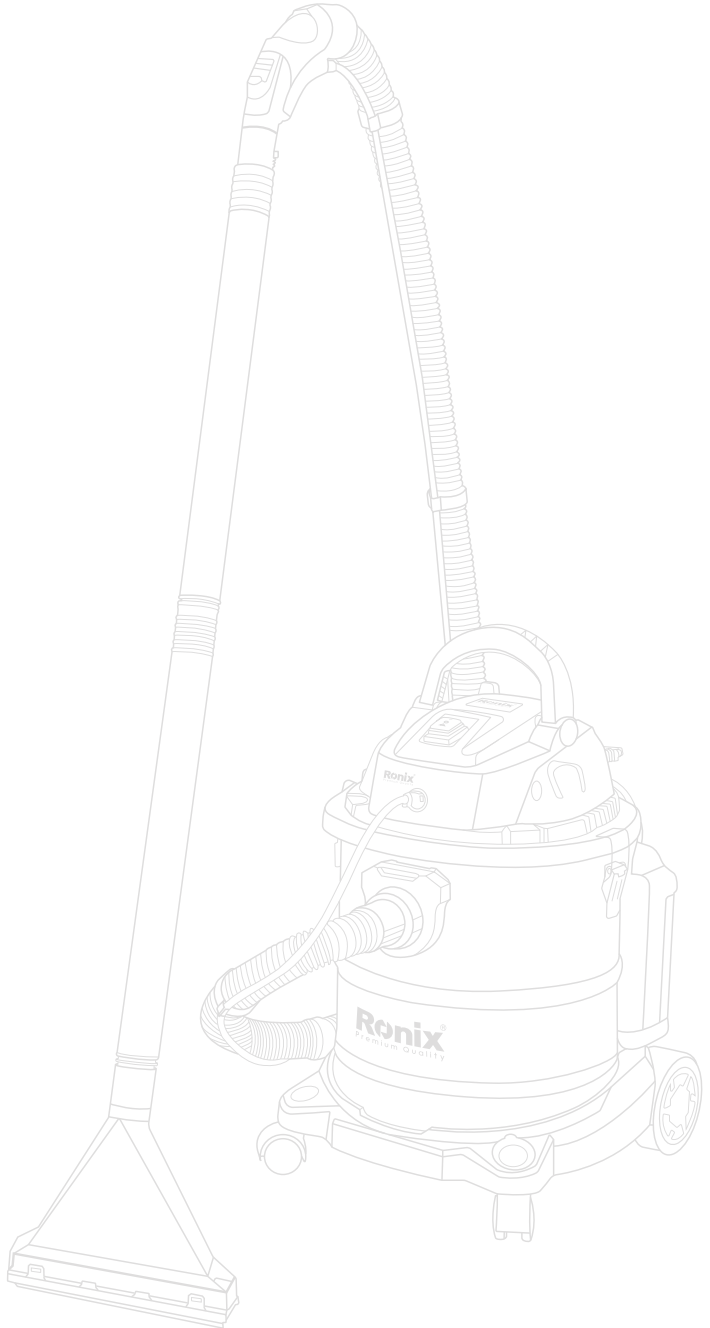
Symptom	Possible cause	Corrective action
Dust / liquid / detergent leaks from the hose / tubes / pipes	<ol style="list-style-type: none"> 1. Accessories are not installed well thus the leakproofness is not good enough. 2. The rubber seal ring of detergent pipe is broken or fall off. 	<ol style="list-style-type: none"> 1. Follow the instruction in Part 3 and check the tightness of accessory joints. 2. Contact with your dealer for repairment, or retighten the seal ring.
Weak suction	<ol style="list-style-type: none"> 1. Filters / tubes / hose/ suction port is blocked. 2. The tank is not lidded well. 	<ol style="list-style-type: none"> 1. Clean up the filters and the accessories, or make use of the filter-cleaning function. 2. Reset the head unit and buckle it on the tank.
abnormal noise when working	<ol style="list-style-type: none"> 1. Sewage in the tank is out of capacity and water valve works. 2. The vacuum cleaner is turned over and water valve works. 	<ol style="list-style-type: none"> 1. Clean up the sewage in tank. 2. Right the vacuum cleaner In time.
Unit begins to smoke	Overheated, overloaded or damaged motor.	Switch it off and send it for repairment.
Sewage or foam is blowed out from the blower or the head.	<ol style="list-style-type: none"> 1.Filters are not installed correctly. 2. Filters should be replaced. 3. Too much foam in the tank. 	<ol style="list-style-type: none"> 1. Check the installation of filters and follow the instruction in Part 3. 2. Replace the filters with new ones. 3. Use low-foaming detergent, or the advised kind of distributors; clean up the sewage and foam in the tank.

 **CAUTION:**

Always be sure that the tool is switched off and unplugged before attempting to perform inspection or maintenance. The tool and its air vents have to be kept clean.

Regularly clean the tool's air vents or whenever the vents start to become obstructed.

To maintain product **SAFETY** and **RELIABILITY**, repairs, carbon brush inspection and replacement, any other maintenance or adjustment should be performed by **RONIX SERVICE** Authorized or **RONIX SERVICE** Centers, always using **RONIX SERVICE** replacement parts.





www.ronixtools.com