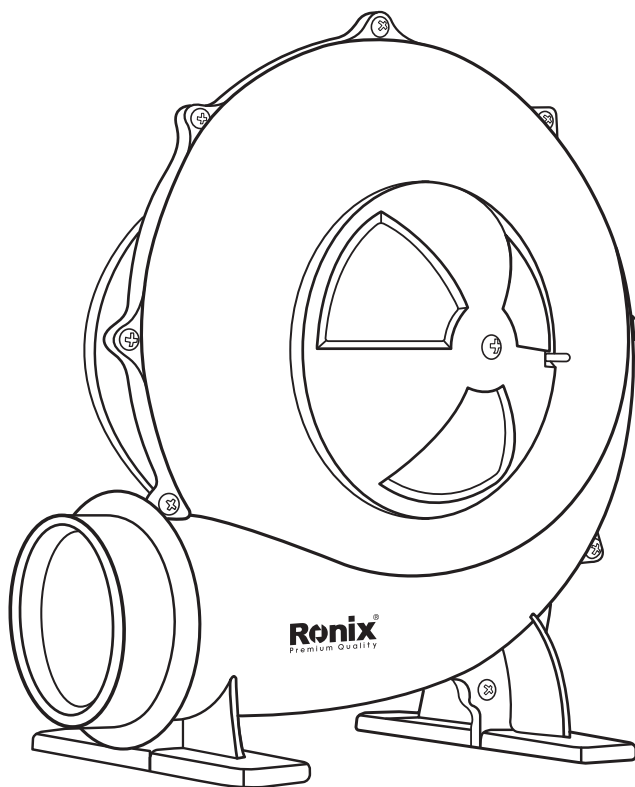


Ronix[®]

Premium Quality

ELECTRIC AIR BLOWER

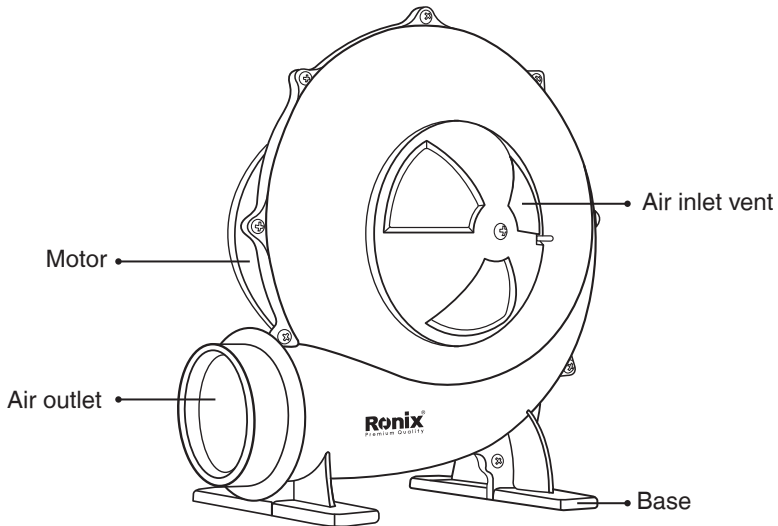
1222



TECHNICAL SPECIFICATION

No load speed	3000 RPM
Power	260W
Pressure	230Pa
Model	1222
Weight	2.9Kg
Voltage	220-240V
Frequency	50-60Hz
Supplied In	Ronix color box
size	2.5 inch

PARTS LIST



FUNCTION & CHARACTER

Electric blower (aluminum body) is mounted with the capacitor-start motor. The product is characterized with the merits of large flow volume, high wind pressure, power source saving, low temperature rising, light weight and elegant&-beautiful appearance. It is applicable for combustion- supporting such as in homes, restaurants, small- sizes boilers, blast furnace and so forth. And it can also be used for air blasting cooling general places

INSTALLATION, OPERATION & MAINTENANCE

1) Do not install or operate the blower in an environment or atmosphere where combustible or flammable materials, gases or fumes are present or above °50+C temperature, unless it has been specifically designed and manufactured for use in that environment.

2) Before starting the blower, turn the blower wheel by hand to make sure that it turns the blower wheel by hand to make sure that it turns freely. If needed, adjust the wheel/shaft bearing/motor position as required to achieve necessary clearances. Carefully check the internal space of the scroll and other casing, tools and other extra matters should not be left inside.

3) Operate under power and check for correct wheel rotation direction (clockwise when looking at top of the wheel). In correct rotation can damage the blower motor and seriously impede blower operation

4) Regarding to the blower of first time installation or long time stock, carefully. Check the insulating capability of motor with 500 apparatus and the insulating resistance should not be under 0.5.

The motor must be desiccation disposal till insulating resistance above 0.5
When insulating resistance under 0.5

5) Check to make sure that the data on the blower nameplate is in

accordance with the electrical service that is going to be applied, double checking voltage and phase prior to start –up. High or low voltage can damage the motor and void the warranty.

6) The blower still doesn't normally rotate after connecting to the power source for 10 seconds. There is a possibility that the voltage is too low to influence the starting capability. Provisionally plug up the air outlet to reduce the motor load, which can facilitate the blower to start-up.

7) Kindly note to install reliable underground wire to connect with the cast casing and also make periodic inspection in order to avoid any accident.

8) Pay close attention to damp proof, protection against violent vibration, away from hydrochloric acid. Alkali and all corrosive gases in order to prolong the longevity of blower motor and ensure insulating capability.

9) Please properly decrease the area of air inlet or outlet when adjusting the flow volume in demand.

WARNING!

1) This electric blower is not intended for use by persons (including children) with reduced physical, sensory or mental capabilities, or lack of experience and knowledge. Children should be supervised to ensure that they do not play with the electric blower.

2) Ensure the supply cord is not being damaged in order to avoid hazard. Ensure that the blower is switched off from the

Ronix[®]
Premium Quality

www.ronixtools.com