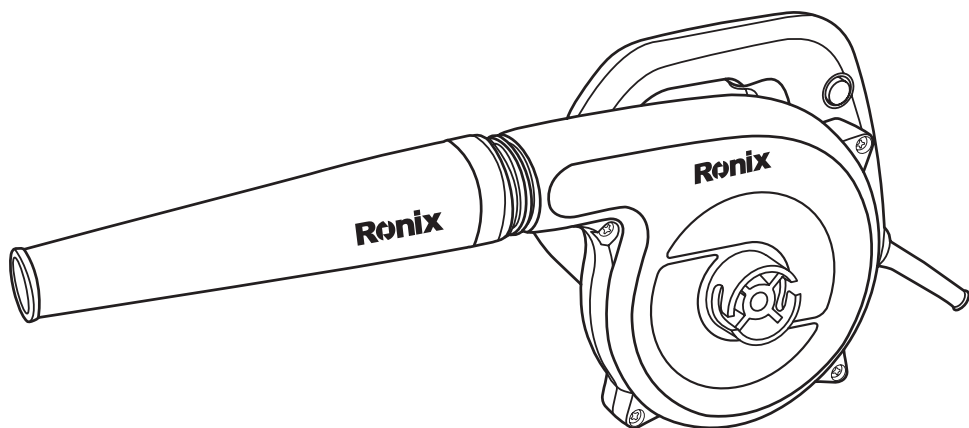


# Ronix®

Premium Quality

## ELECTRIC BLOWER

### 1207V



[www.ronixtools.com](http://www.ronixtools.com)

**12**  
MONTHS  
GUARANTY

**FREE**  
DELIVERY

**BANK**  
SPARE PARTS

**CALL**  
CENTER  
02161904

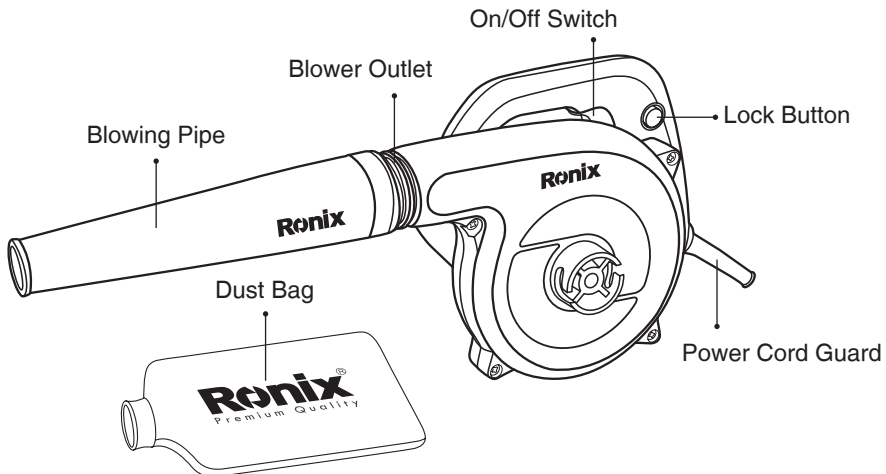
## SPECIFICATION

Model	1207V
Power	600W
Voltage	220V
Frequency	60Hz
No Load Speed	15000RPM
Net. Weight	1.7Kg
Accessories	Extension tube- Dust Bag - 1 pair of Carbon Brush

### **⚠ WARNING!**

Read this manual and general safety Instructions carefully before using the appliance, for your own safety. Your power tool should only be passed on together with these instructions.

## PART LIST



## GENERAL POWER TOOL SAFETY WARNINGS

Read all safety warnings and all instructions. Failure to follow all warnings and instructions may result in electric shock, fire and/or serious injury. Save all warnings and instructions for future reference. The term “power tool” in the warnings refers to your mains operated (corded) power tool or battery operated (cordless) power tool.

### ■ WORK AREA

- Keep work area clean and well lit. Cluttered and dark areas invite accidents.
- Do not operate power tools in explosive atmospheres, such as in the presence of flammable liquids, gases or dust. Power tools create sparks which may ignite the dust or fumes.
- Keep children and bystanders away while operating a power tool. Distractions can cause you to lose control.

### ■ ELECTRICAL SAFETY

- Power tool plugs must match the outlet. Never modify the plug in any way. Do not use any adapter plugs with earthed (grounded) power tools. Unmodified plugs and matching outlets will reduce risk of electric shock.
- Avoid body contact with earthed or grounded surfaces such as pipes, radiators, ranges and refrigerators. There is an increased risk of electric shock if your body is earthed or grounded.
- Do not expose power tools to rain or wet conditions. Water entering a power tool will increase the risk of electric shock.
- Do not abuse the cord. Never use the cord for carrying, pulling or unplugging the power tool. Keep cord away from heat, oil, sharp edges or moving parts. Damaged or entangled cords increase the risk of electric shock.
- When operating a power tool outdoors, use an extension cord suitable for outdoor use. Use of a cord suitable for outdoor use reduces the risk of electric shock.

- If operating a power tool on a damp location is unavoidable, use a residual current device (RCD) protected supply. Use of an RCD reduces the risk of electric shock.

### ■ PERSONAL SAFETY

- Stay alert, watch what you are doing and use common sense when operating a power tool. Do not use a power tool while you are tired or under the influence of drugs, alcohol or medication. A moment of inattention while operating power tools may result in serious personal injury.
- Use safety equipment. Always wear eye protection. Safety equipment such as dust mask, non-skid safety shoes, hand hat, or hearing protection used whenever conditions require will reduce personal injuries.
- Avoid accidental starting. Ensure the switch is in the off position before plugging in.
- Carrying power tools with your finger on the switch or plugging in power tools that have the switch on invites accidents.
- Remove any adjusting key or wrench before turning the power tool on. A wrench or a key left attached to a rotating part of the power tool may result in personal injury.
- Do not overreach. Keep proper footing and balance at all times. This enables better control of the power tool in unexpected situations.
- Dress properly. Do not wear loose clothing or jewelry. Keep your hair, clothing and gloves away from moving parts. Loose clothes, jewelry or long hair can be caught in moving parts.
- If devices are provided for the connection of dust extraction and collection facilities, ensure these are connected and properly used. Use of these devices can reduce dust related hazards.

## POWER TOOL USE AND CARE

- Do not force the power tool. Use the correct power tool for your application. The correct power tool will do the job better and safer at the rate of which it was designed.

- Do not use the power tool if the switch does not turn it on and off. Any power tool that cannot be controlled with the switch is dangerous and must be repaired.
- Disconnect the plug from the power source before making any adjustments, changing accessories, or storing power tools. Such preventive safety measures reduce the risk of starting the power tool accidentally.
- Store idle power tool out of the reach children and do not allow persons unfamiliar with the power tool of these instructions to operate the power tool. Power tools are dangerous in the hands of untrained users.
- Maintain power tools. Check for misalignment or sticking of moving parts, breakage of parts and other condition that may affect the power tool's operation. If damaged, have the power tool repaired before use. Many accidents are caused by poorly maintained power tools.
- Use the power tool, accessories and tool bits etc., in accordance with these instructions and in the manner intended for the particular type of power tool, taking into account the working conditions and the work to be performed. Use of the power tool for operations different from intended could lead to a hazardous situation.

## **SERVICE**

Have your power tool serviced by qualified repair person using only identical replacement parts. This will ensure that the safety of the power tool is maintained.

## **SAFETY WARNINGS OF AIR BLOWER**

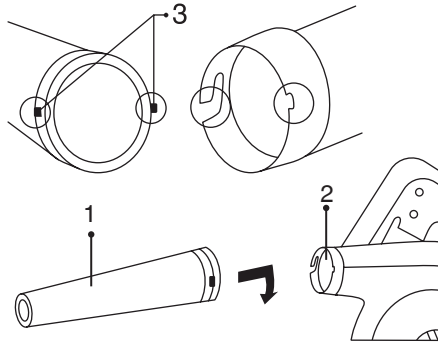
### **■ SWITCH ACTION**

- Pressing the On/Off switch (2), the unit is started. Losing the On/Off switch (2), the unit is stopped. When lock button (3) is pressed after unit is started, the unit can continually work and the unit can be stopped if press the On/Off switch (2) again.
- Before plugging in the tool, always check to see that the trigger switch actuates properly and returns to the "OFF" position when released.

## SETTING UP THE ELECTRIC BLOWER

### ■ BLOWING

- When use for blowing, attach nozzle to blowing outlet. Turn it clockwise until it clicks.



### ■ ABSORBING

- For dust suction, fit nozzle onto suction inlet and dust bag on to blower outlet. Turn them clockwise until it clicks.

After the bag fills with dust, empty the contents of the dust bag into a dust bin by releasing the fastener.

### ⚠ DANGER OF INJURY!

Before all care and maintenance work:

- Turn the machine off.
- Wait until the machine is still.
- Pull out the power plug.

The machine is basically maintenance free. Allow all servicing, which is not described in this user manual, to be performed by a professional.

Keep the machine and the air vents clean.

Only keep the machine in a dry and frost-free room.

### ⚠ DANGER!

- Wait until the machine is still.
- Pull out the power plug.

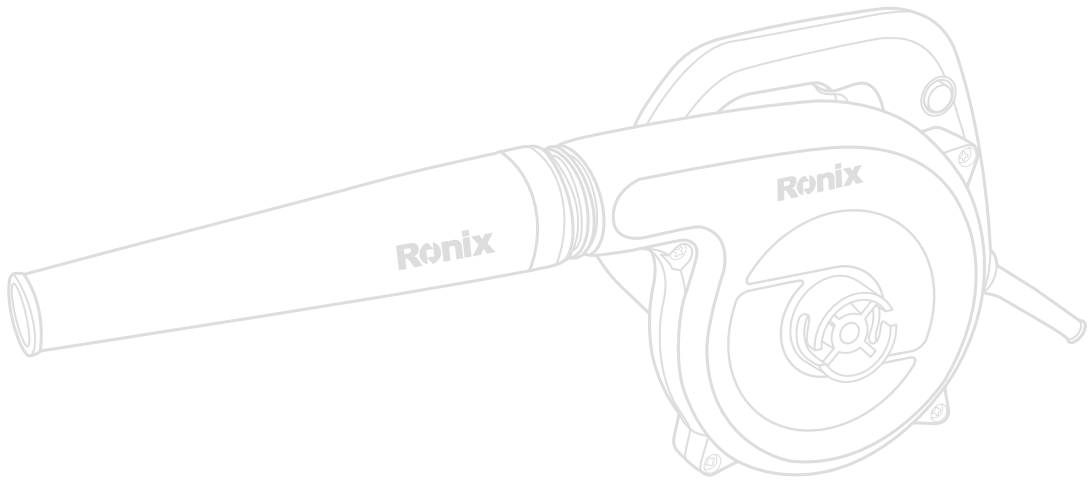
## ■ REPLACING CARBON BRUSHES

Remove and check the carbon brushes regularly. Replace when they wear down to the limit mark. Keep the carbon brushes clean and free to slip in the holders. Both carbon brushes should be replacing at the same time. Use only identical carbon brushes.

Use a screwdriver to remove the brush holder caps. Take out the worn carbon brushed, insert the new ones and secure the brush holder caps  
- Pull out the power plug.

## TROUBLESHOOTING

Motor does not run.	There is no electric current coming in to the machine.	Check your electric connection and supply.
Vibrations are too strong.	The motor has overheated.	Allow the machine to run idle for about 2 minutes so that it can cool down.
	The carbon brushes are used.	Change out both carbon brushes (Changing out carbon brushes).
	Screws or parts of the machine are loose.	Tighten all screws.





**Ronix**<sup>®</sup>  
Premium Quality

[www-ronixtools-com](http://www-ronixtools-com)