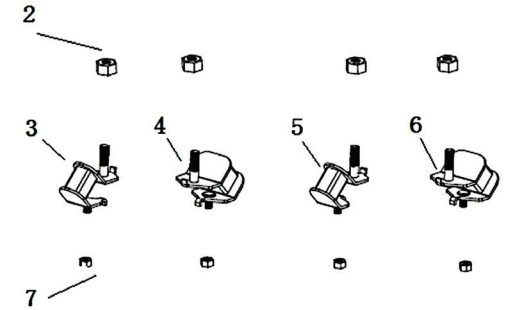
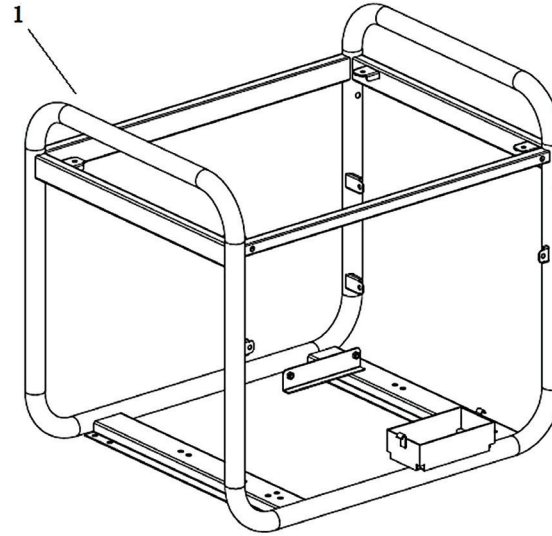
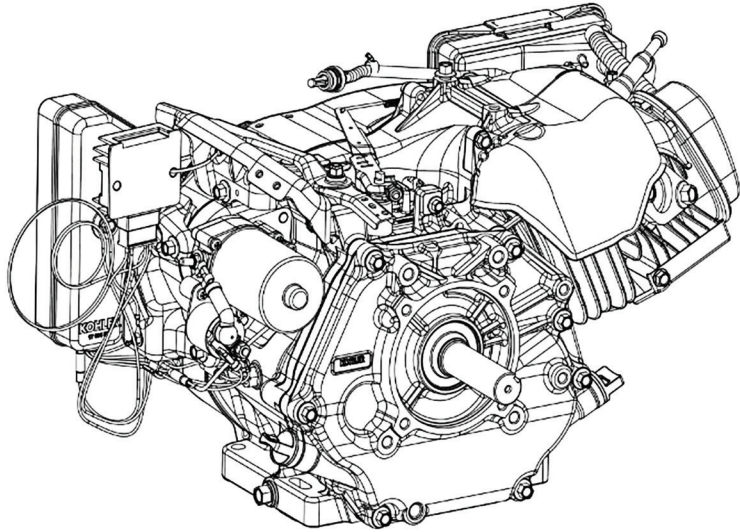
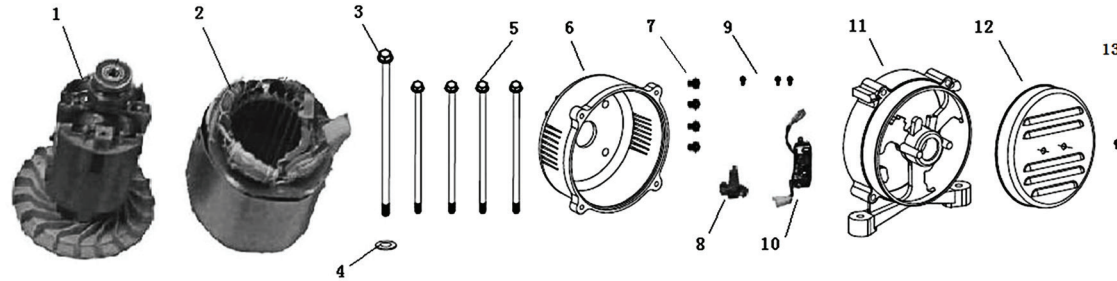


POWER TOOLS



Number	Name
1	GENERATOR SET

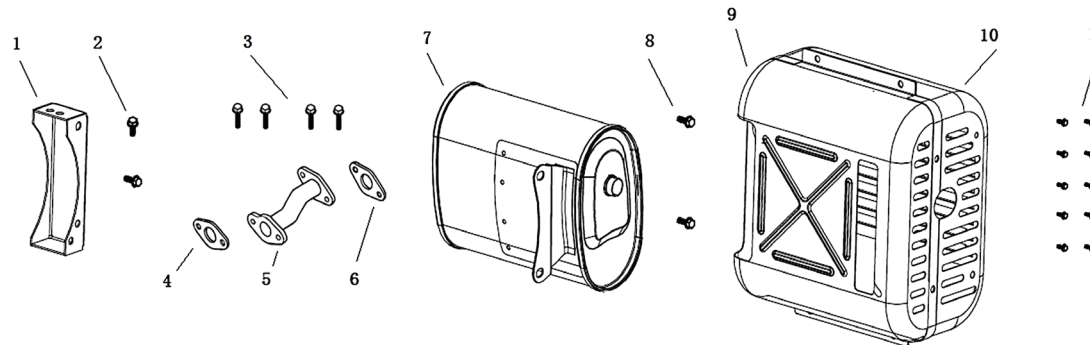
Number	Name
1	CRANKCASE WITH HOLE
2	NUT/GB6177-M10
3	SHOCK ABSORBER_ENGINE_FR
4	SHOCK ABSORBER_ENGINE_RR
5	SHOCK ABSORBER_ALTERNATOR_FR
6	SHOCK ABSORBER_ALTERNATOR_RR
7	NUT/GB6177-M8



Number	Name
1	ROTOR COMP
2	STATOR ASSY
3	BOLT / GB5789-M10*295*1.25
4	GASKET
5	BOLT / GB5789-M6*205

Number	Name
6	ENGINE COVER
7	BOLT 3/8-16UNC-2B*35
8	BRUSH ASSY
9	BOLT / GB5789-M5*12
10	REGULATOR ASSY AUTOMATIC VOLTAGE

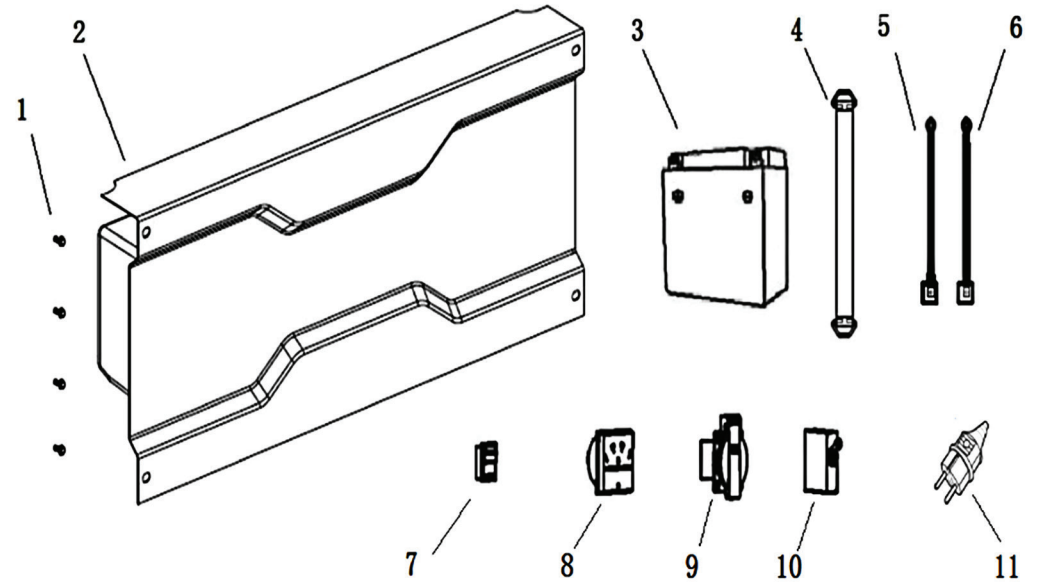
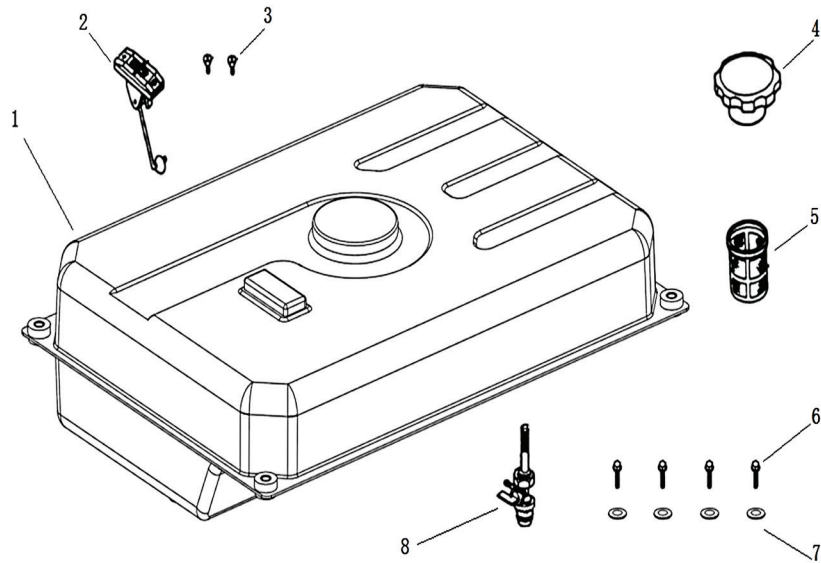
Number	Name
11	REAR-END SUPPORTER OF ALTERNATOR
12	REAR-END COVER OF ALTERNATOR
13	BOLT / GB5789-M5*12



Number	Name
1	STAY COMP MUFFLER
2	BOLT /GB16674-M8x12
3	BOLT /GB16674-M8x20

Number	Name
4	GASKET
5	PIPE, COMP
6	GASKET

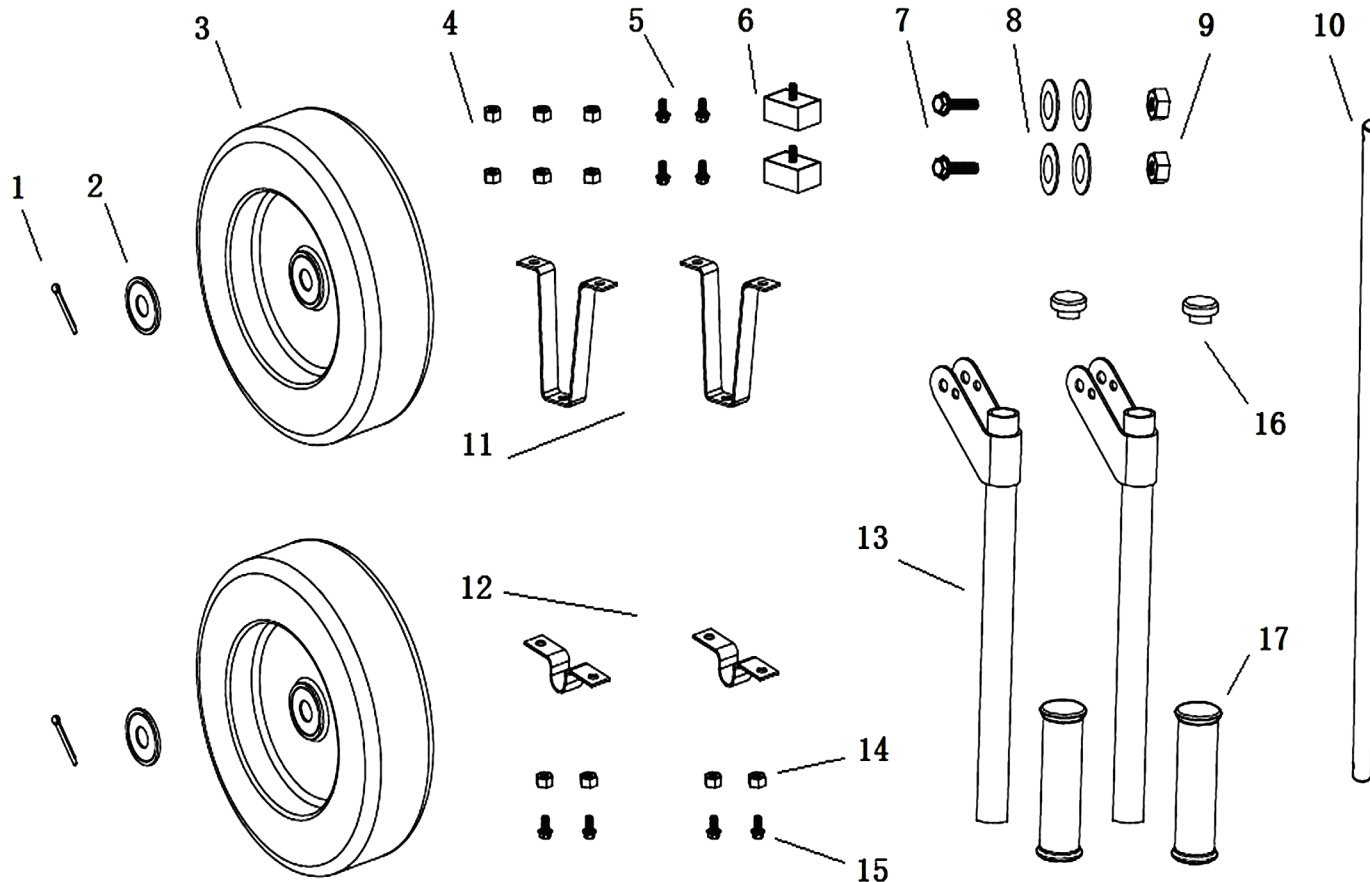
Number	Name
7	MUFFLER
8	BOLT /GB16674-M8x12
11	BOLT /GB5789-M6x10



Number	Name
1	FUEL TANK COMP
2	FUEL GAUGE
3	BOLT /GB818-M5x12
4	FUEL CAP COMP
5	FILTER
6	BOLT /GB5789-M6x25
7	GASKET
8	COCK COMP

Number	Name
1	BOLT /GB5789-M6x10
2	CONTROL PANEL
3	BATTERY
4	BATTERY BELT
5	CONNECTING CABLE
6	CONNECTING CABLE

Number	Name
7	ENGINE SWITCH, ELECTRICAL START
8	VOLTAGE METER
9	USA 3-HOLE RECEPTACLE
10	CIRCUIT BREAKER
11	PLUG, USA 3-HOLE



Number	Name
1	SPLIT PIN
2	GASKET/GB97.1-φ17
3	WHEEL
4	NUT/GB6177-M8
5	BOLT /GB16674-M8x12
6	RUBBER FOOT
7	BOLT /GB16674-M8x50
8	GASKET
9	NUT/GB6177-M8
10	WHEEL AXILE
11	SUPPORT BRACKET
12	PLATE, AXILE
13	HANDLE
14	NUT/GB6177-M8
15	BOLT /GB16674-M8x16
16	PLUG, HANDEL
17	RUBBER SLEEVE, HANDEL