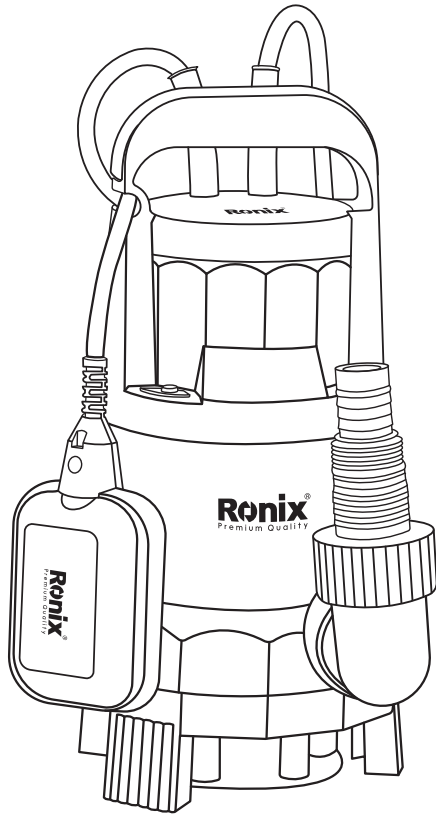


Ronix[®]

Premium Quality

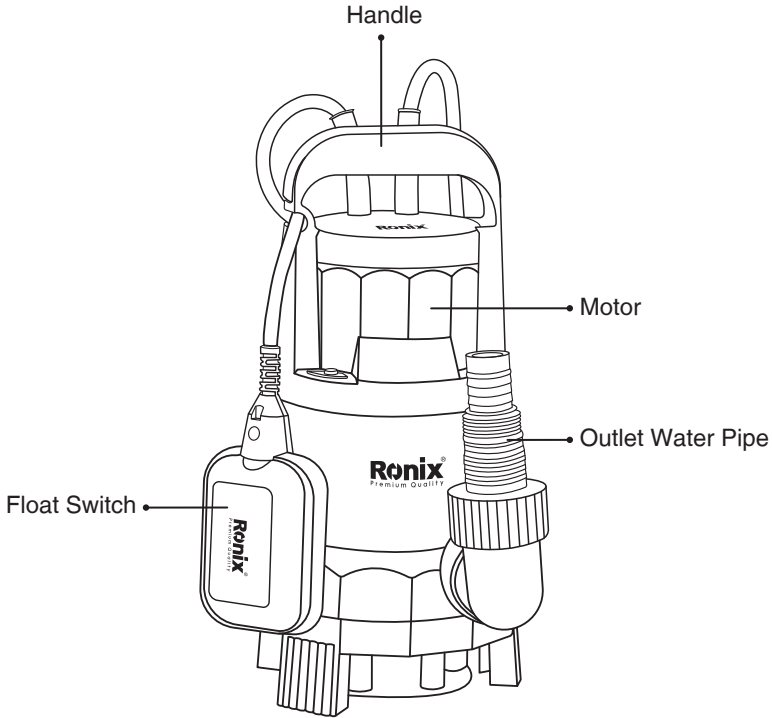
SUBMERSIBLE SEWAGE PUMP 1HP RH-4040






SPECIFICATION


Model	RH-4040
Power	1hp
Voltage	220-240V
Frequency	50Hz
Min.flow	0.6m ³ /h
Max. flow	10m ³ /h
Min. head	2.8m
Max. head	9 m
Outlet port diameter	1 ¹ / ₂ "
Speed	2850 RPM
Max. liquid temperature	35°C
Max. Ambient temperature	40°C
Working pressure	0.9BAR
solid passage diameter	4mm
max immersion depth	5m
max dry running tim	30seconds
Protection level	IP68
Insulation class	CLASS B
Pump housing material	PP
Motor housing material	PP
Mechanical seal material	C/G
Motor protection	Thermal protector
Coil Winding Material	COPPER
Impeller Material	PPO
Shaft Material	SS304+45
Weight	4.7Kg
Supplied in	Ronix Color Box
Include	Float Switch, 9m Cable


PART LIST



SAFETY PRECAUTIONS

The symbol    and sentences with words “Danger” or “Warning” indicate the risks and results from failing to comply with the safety precautions.

 Failure to comply with the precautions may results in electric shock.

 Failure to comply with the precautions may cause serious damage to health.

 Failure to comply with the precautions may damage the pumps.

⚠ NOTE!

In order to achieve the best performance of your product, please read this instruction manual carefully before using, and keep it for future reference.

⚠ CAUTION!

To reduce the risk of electric shock do not open this device, there are not serviceable parts for customers. Please refer any maintenance or repair to qualified personnel.

GENERAL POWER TOOL SAFETY WARNINGS

⚠ WARNING!

- Read all safety warnings and all instructions. Failure to follow the warnings and instructions may result in electric shock, fire and or serious injury.
- Save all warnings and instructions for future reference.
- The term “power tool” in the warnings refers to your mains-operated (corded) power tools or battery operated (cordless) power tool.

■ WORK AREA SAFETY

- Keep work area clean and well lit. Cluttered or dark areas invite accidents.
- Don't operate power tools in explosive atmospheres, such as in the presence of flammable liquids, gases or dust. Power tools create sparks which may ignite the dust or fumes.
- Keep children and bystanders away while operating a power tool. Distractions can cause you to lose control.

■ ELECTRIC SAFETY

- Power tool plugs must match the outlet. Never modify the plug in any way. Don't use any adaptor plugs with earthed (grounded) power tools. Unmodified plugs and matching outlets will reduce risk of electric shock.

- Avoid body contact with earthed or grounded surfaces such as pipe, radiators, ranges and refrigerators. There is an increased risk of electric shock if your body is earthed or grounded.
- Don't expose power tools to rain or wet conditions. Water entering a power tool will increase the risk of electric shock.
- Don't abuse the cord. Never use the cord for carrying, pulling or unplugging the power tool. Keep cord away from heat, oil, sharp edges or moving parts. Damaged or entangled cords increased the risk of electric shock.
- When operating a power tool outdoors, use an extension cord suitable for outdoor use. Using a cord suitable for outdoor use will reduce the risk of electric shock.
- If operating a power tool in a damp location is unavoidable, use a residual current device (RCD) protected supply. Use of an RCD reduces the risk of electric shock.
- Use of power supply via a RCD with a rated residual current of 30mA or less is always recommended.

■ PERSONAL SAFETY

- Stay alert, watch what you are doing and use common sense when operating a power tool. Don't use a power tool while you are tired or under the influence of drugs, alcohol or medication. A moment of inattention while operating power tools may result in serious personal injury.
- Use personal protective equipment. Always wear eye protection. Protective equipment such as dust mask, non-skid safety shoes, hard hat, or hearing protection used for appropriate conditions will reduce personal injuries.
- Prevent unintentional starting. Ensure the switch is in the off-position before connecting to power source and/or battery pack, picking up or carrying the tool. Carrying power tools with your finger on the switch or energizing power tools that have the switch on invites accidents.
- Remove any adjusting key or wrench before turning the power tool on. A wrench or a key left attached to a rotating part of the power tool may result in personal injury.

- Don't overreach. Keep proper footing and balance at all times. This enables better control of the power tool in unexpected situations.
- Dress properly. Don't wear loose clothing or jewelry. Keep your hair, clothing, and gloves away from moving parts. Loose cloths, jewelry or long hair can be caught in moving parts.
- If devices are provided for connection of dust extraction and collection facilities, ensure these are connected and properly used. Use of dust collection can reduce dust-related hazards.

POWER TOOL USE AND CARE

- Don't force the power tool. Use the correct power tool for your application. The correct power tool will do the job better and safer at the rate for which it was designed.
- Don't use the power tool if the switch doesn't turn it on and off. Any power tool that cannot be controlled with the switch is dangerous and must be repaired.
- Disconnect the plug from the power source and/or the battery pack from the power tool before making any adjustments, changing accessories, or storing power tools. Such preventive safety measures reduce the risk of starting the power tool accidentally.
- Store idle power tools out of the reach of children and don't allow persons unfamiliar with power tool or these instructions to operate the power tool. Power tools are dangerous in the hands of untrained users.
- Maintain power tools. Check for misalignment or binding of moving parts, breakage of parts and any other condition that may affect the power tool's operation. If damaged, have the power tool repaired before use. Many accidents are caused by poorly maintained power tools.
- Keep cutting tools sharp and clean. Properly maintained cutting tools with sharp cutting edges are less likely to bind and are easier to control. Use the power tool, accessories and tool bits etc. in accordance with the instruction, taking into account the working conditions and the work to be performed. Use of the power tool for operations different from those intended could result in a hazardous situation

PUMPS SAFETY WARNINGS

- Be sure the installation is correct to make the product performance best.
- All the materials have passed strict inspection. Install correctly could keep the pumps from damage and over-loading. Failure to do as instruction could result in damage for which we decline all responsibility.

■ INSTALLATION

▲ CAUTION !

The pump must be totally submerged which will provide it with necessary be submerged which will provide it with the necessary cooling.

- Install the pump away from the bottom to avoid dirt blocking the wet end, if use the pump in the water tank with a lot of dirt.
- Never use electric wire or pipe to hang the pump.
- Ensure there is enough space for the free operation of the float switch.

■ ASSEMBLY OF THE DISCHARGE PIPE

It is recommended to install a pipe with larger diameter than the discharge outlet to reduce the friction loss as much as possible.

- Install a check valve to the outlet of the pump to prevent pipe from emptying each time pump stops.
- Avoid twisted or curved routing of the pipework and ensure correct connection at outlet. In both cases flow at outlet will be reduced if the connection is wrong.

INSPECTION BEFORE STARTING :

Motor with single phase had been installed with thermal protector

- Ensure that the voltage and frequency are the same as those shown on the motor specification plate.
- Ensure the pump is totally submerged into the water.

- Never make the pump operated dry.

Never modify the float switch position, which is adjusted by the manufacturer.

Maintenance

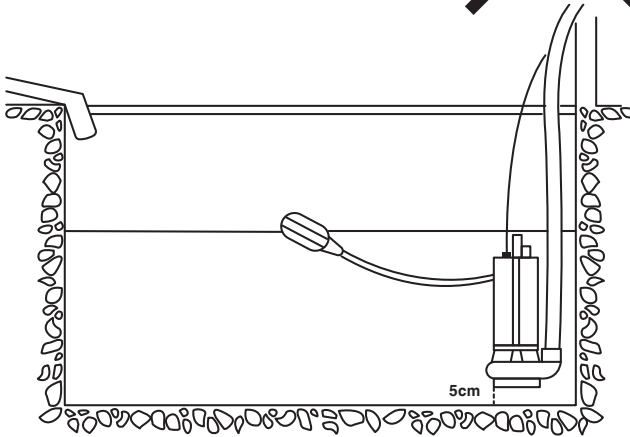
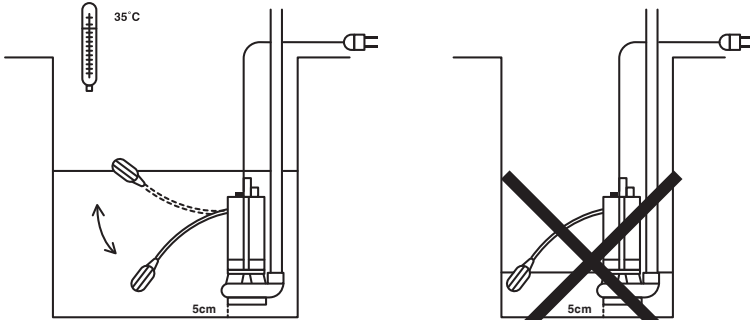
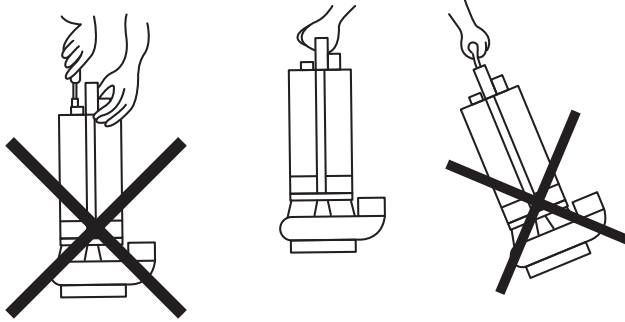
MAINTENANCE

! Our pumps require no specific maintenance but our advices are as follow:

- In colder seasons, or the ambient temperature is low, empty the discharge pipe.

-If the pump will not be used for a long time, it should be cleaned and stored in a dry place to avoid corrosion.

SAFETY AND INSTALLATION GUIDE



Ronix[®]
Premium Quality