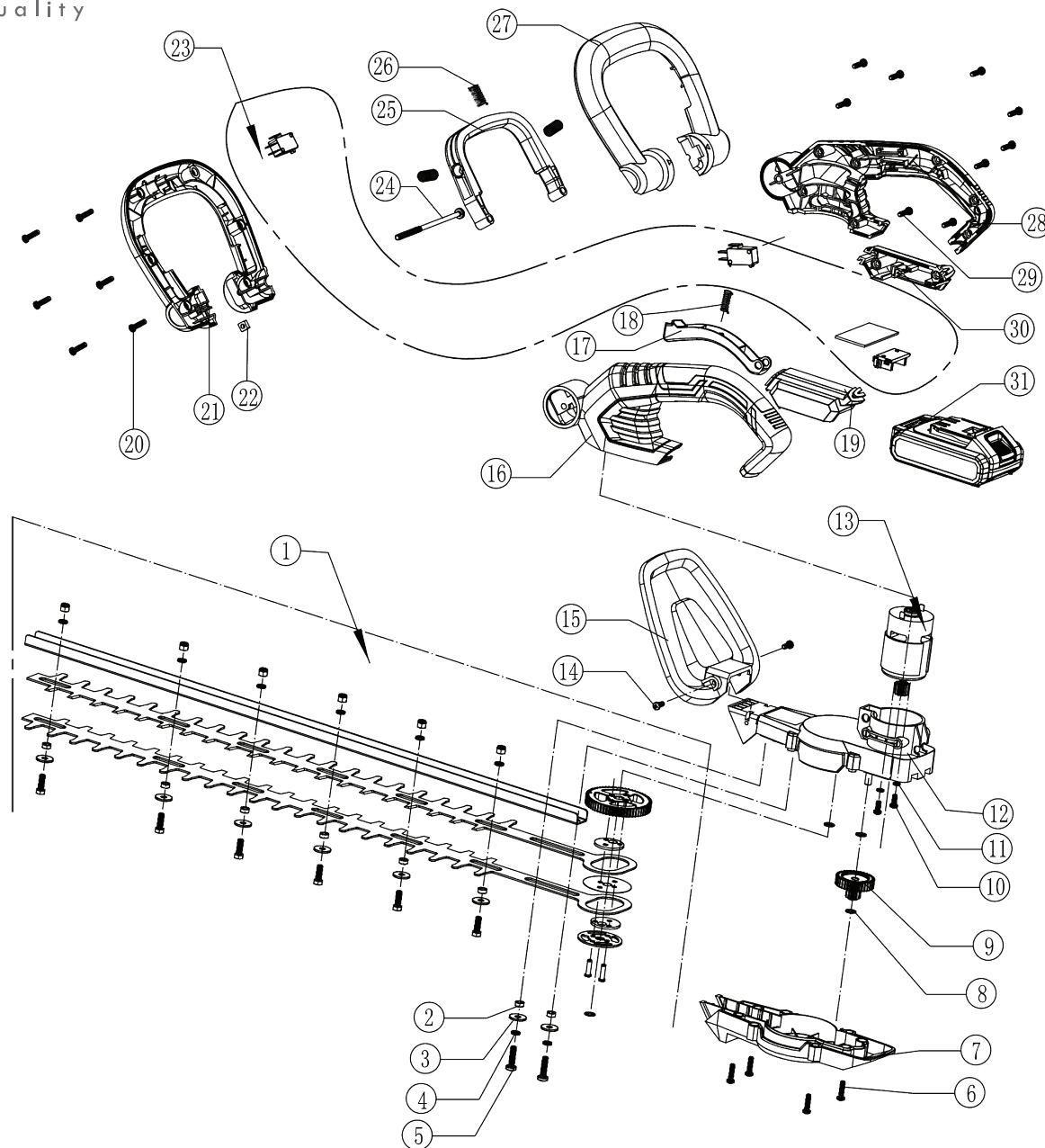


# CORDLESS TOOLS



Number	Name
1	Blade assembly
2	Positioning sleeve
3	Fixed gasket
4	Elastic washer
5	Pan head screw
6	Self-tapping screws
7	Gear box cover
8	Gearbox small gasket
9	Double gear
10	Phillips pan head screws
11	Elastic washer
12	Gear box seat
13	Motor
14	Self-tapping screws
15	Shield
16	Left case
17	Switch trigger
18	Switch spring
19	Left chassis foot plate
20	Self-tapping screws
21	Front handle upper cover
22	Square nut
23	Switch control board assembly
24	Bolt
25	Auxiliary handle switch button
26	Auxiliary handle spring
27	Front handle lower cover
28	Right chassis
29	Self-tapping screws
30	Right chassis foot plate
31	Battery pack