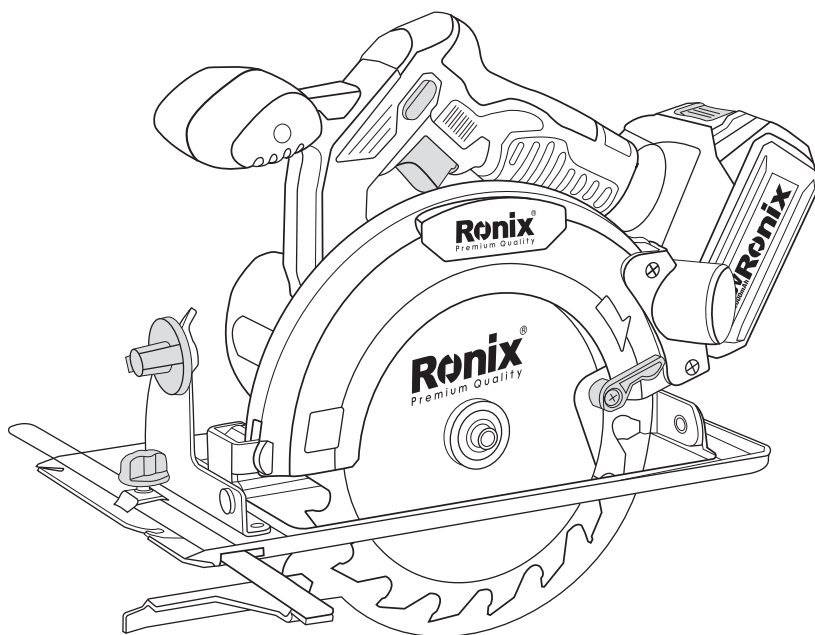


# Ronix<sup>®</sup>

Premium Quality

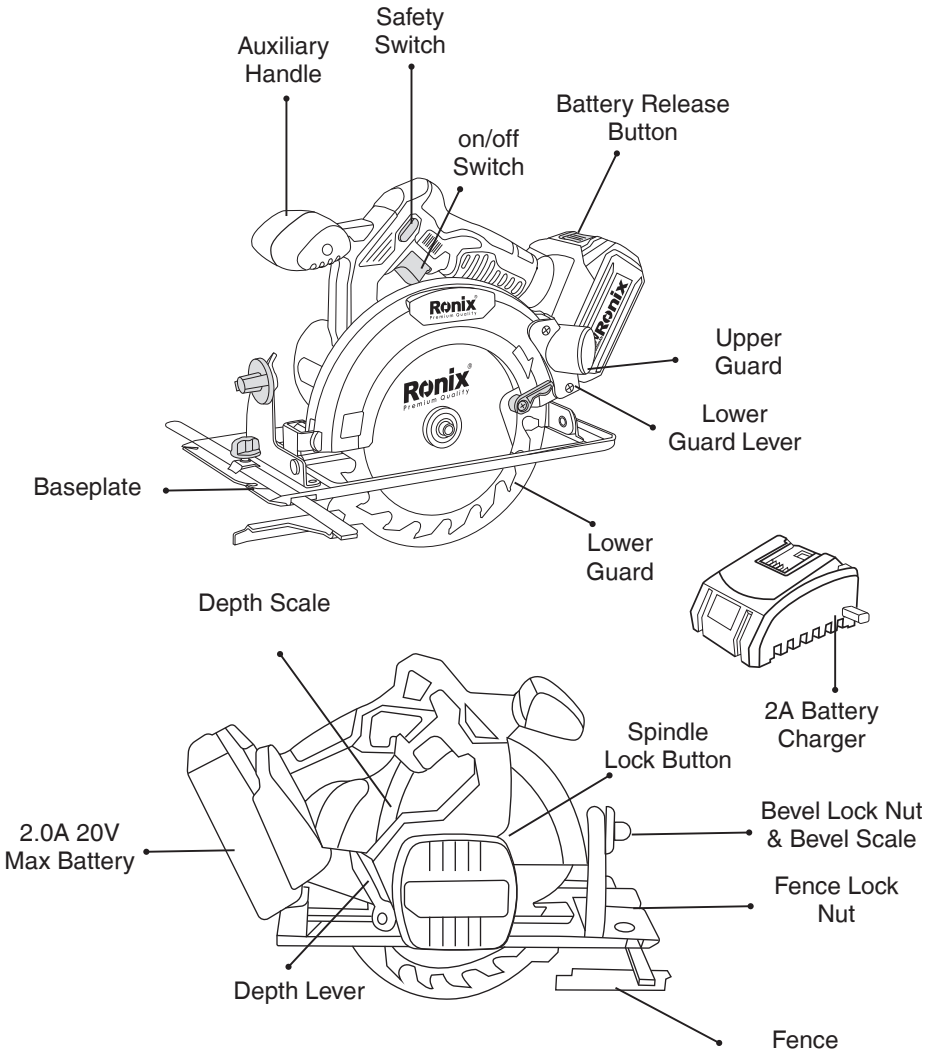
## CORDLESS CIRCULAR SAW 8609



## SPECIFICATIONS

Model	8609
Battery Capacity	4Ah
Battery Voltage	20V
Battery Chemistry	Lithium-Ion
No-load Speed	4000RPM
Saw Blade Diameter	165mm
Max Cutting Depth at 0°	55mm
Max Cutting Depth at 45°	36mm
Max working time (no load)	50min
Charging time	1h
Weight	3.37kg
Supplied in	Ronix color box
Includes	Guide ruler, Allen key, 2pcs 4.0Ah battery, 1pc 4.0 charger

# PARTS LIST



## GENERAL SAFETY RULES

### FOR ALL BATTERY-OPERATED TOOLS

#### **WARNING!**

READ AND UNDERSTAND ALL INSTRUCTIONS.

For your personal safety, read and understand before using.

Failure to follow all instructions listed below may result in electric shock, fire and/or serious personal injury.

#### ■ **WORK AREA**

1. Keep your work area clean and well lit. Cluttered benches and dark areas invite accidents.
2. Flammable liquids, gases, or dust. Power tools create sparks which may ignite the dust or fumes. Do not operate power tools in explosive atmospheres, such as in the presence of flammable liquids, gases, or dust.
3. Keep bystanders, children, and visitors away while operating a power tool. Distractions can cause you to lose control.

#### ■ **ELECTRICAL SAFETY**

4. Do not abuse the cord. Never use the cord to carry the tool. Keep cord away from Heat, oil, sharp edges, or moving parts. Replace damaged cords immediately. Damaged cords may create a fire.

#### **APPLIES ONLY TO TOOLS WITH A SEPARABLE BATTERY PACK:**

5. A battery operated tool with integral batteries or a separate battery pack must be Recharge only with the specified charger for the battery. A charger that may be suitable for one type of battery may create a risk of fire when used with another battery.
6. Use battery operated tool only with specifically designated battery pack. Use of any other batteries may create a risk of fire.

## ■ PERSONAL SAFETY

7. Stay alert, watch what you are doing, and use common sense when operating a power tool. Do not use tool while tired or under the influence of drugs, alcohol, or medication. A moment of inattention while operating power tools may result in serious personal injury.

8. Dress properly. Do not wear loose clothing or jewelry. Contain long hair. Keep your hair, clothing, and gloves away from moving parts. Loose clothes, jewelry, or long hair can be caught in moving parts.

9. Avoid accidental starting. Be sure switch is in the locked or off position before inserting battery pack. Carrying tools with your finger on the switch or inserting the battery pack into a tool with the switch on invites accidents.

10. Remove adjusting keys or wrenches before turning the tool on. A wrench or a key that is left attached to a rotating part of the tool may result in personal injury.

11. Do not overreach. Keep proper footing and balance at all times. Proper footing and balance enable better control of the tool in unexpected situations.

12. Use safety equipment. Always wear eye protection. Dust mask, non-skid safety shoes, hard hat, or hearing protection must be used for appropriate conditions.

## ■ TOOL USE AND CARE

13. Use clamps or other practical way to secure and support the work piece to a stable platform. Holding the work by hand or against your body is unstable and may lead to loss of control.

14. Do not force tool. Use the correct tool for your application. The correct tool will do the job better and safer at the rate for which it is designed.

15. Do not use tool if switch does not turn it on or off. A tool that cannot be controlled with the switch is dangerous and must be repaired.

16. Disconnect battery pack from tool or place the switch in the locked or off position before making any adjustments, changing accessories, or storing the tool. Such preventive safety measures reduce the risk of starting the tool accidentally.

17. Store idle tools out of reach of children and other untrained persons. Tools are dangerous in the hands of untrained users.
18. When battery pack is not in use, keep it away from other metal objects like: paper clips, coins, keys, nails, screws, or other small metal objects that can make a connection from one terminal to another. Shorting the battery terminals together may cause sparks, burns, or a fire.
19. Maintain tools with care. Keep cutting tools sharp and clean. Properly maintained tools with sharp cutting edge are less likely to bind and are easier to control.
20. Check for misalignment or binding of moving parts, breakage of parts, and any other condition that may affect the tool's operation. If damaged, have the tool serviced before using. Many accidents are caused by poorly maintained tools.
21. Use only accessories that are recommended by the manufacturer for your model. Accessories that may be suitable for one tool may create a risk of injury when used on another tool.

## ■ SERVICE

22. Tool service must be performed only by qualified repair personnel. Service or maintenance performed by unqualified personnel may result in a risk of injury.
23. When servicing a tool, use only identical replacement parts.

## ■ IMPORTANT CHARGING NOTES

1. Do not store in locations where the temperature may exceed 40°C.
2. Charge only at ambient temperatures between 4°C and 40°C.
3. Charge only using the charger provided with the tool as other chargers might use different amperages and can damage or destroy your battery and /or screwdriver
4. Unplug charger before attempting to clean.
5. Do not immerse charger in water or any other liquid.
6. Charging time around 1 hour

**⚠ CAUTION!**

Never attempt to open the battery pack for any reason. If the plastic housing of the battery pack breaks or cracks, return it to a service center for recycling.

**⚠ WARNING!**

Do not allow liquid to enter charger. Electric shock could result. To cool the battery pack after use, avoid placing the charger in a warm environment such as in a metal shed or non-insulated trailer.

Ronix service Authorized Service Center.

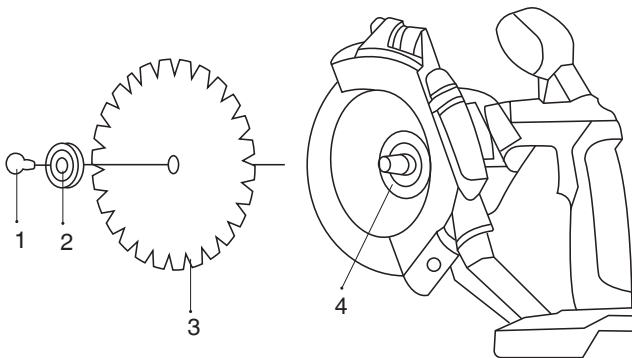
## OPERATION

### ■ BLADE ASSEMBLY

**⚠ WARNING!**

NEVER attempt to Remove/Replace the blade with the battery installed.

1. Adjust the machine depth to as shall as possible, this will ensure the most ease during the process



2. Press the Spindle Lock Button, and at the same time turn the Blade Bolt

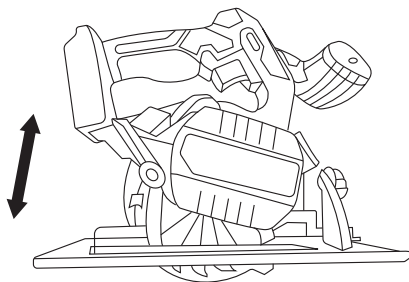
- (1) clockwise with the included tool.
- 3.Remove Outer Flange (2). Press the Lower Guard Lever to make way for the blade.
- 4.Remove the blade. Keep the Inner Flange (4) on the spindle.
- 5.Install a new blade with the rotation arrow, facing the same way as the arrow on the Upper Guard
- 6.Now install the Outer Flange (2), and Blade Bolt (1), following the same method in step 2. But whilst holding the Spindle Lock Button, rotate the Blade Bolt (2) counter clockwise

## DEPTH ADJUSTMENT

### **WARNING!**

You **MUST** read and fully understand the whole user manual before operation.

- 1.Set the Baseplate against a flat surface, and release the Depth Lever
- 2.Now you can Raise and lower the machine to set the cutting depth. Use the Depth Scale to set desired depth.
- 3.Secure the preferred depth by locking the Depth Lever.



## BEVEL ADJUSTMENT

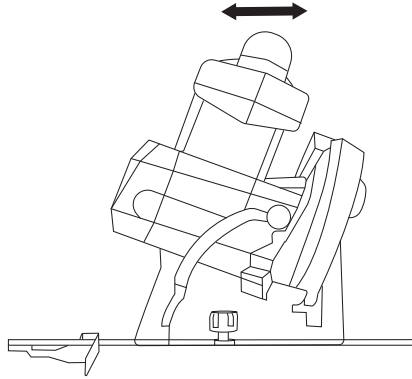
- 1-Set the Baseplate against a flat surface, and loosen the Bevel



Lock-Nut.

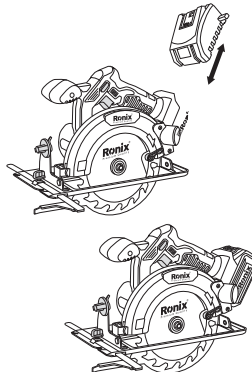
2-The machine will be able to tilt from side to side, set preferred angle on the Bevel Scale.

3-Secure the preferred angle by tightening the Bevel Lock-Nut.



## BATTERY ASSEMBLY

Slide the Battery into the Battery Carriage at the bottom on the Machine Handle. An audible \*click\* will be heard when it's correctly located. To Remove the Battery, press the Battery Release Button, and pull.



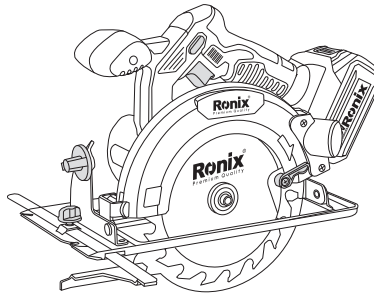
## STARTING & STOPPING

### **⚠ WARNING!**

You **MUST** read and fully understand the whole user manual before operation

To start the machine, firstly press the Safety Switch. At the same time, press the on/off Trigger. The machine will start.

Allow 1 to 2 seconds for the machine to reach maximum operating speed before starting a cut. To stop the machine release both buttons and allow the machine to stop turning before putting down.



## SUITABLE CUTTING

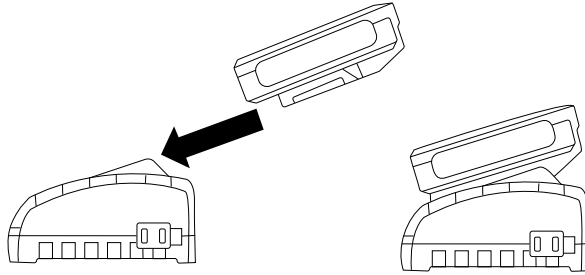
Always use 2 hands when operating the machine. When starting a cut, rest the machine on the front of the Baseplate, work the blade into the workpiece without too much force, this may make the blade kick back, or cause the motor to stall. **NEVER MAKE CURVED CUTS**, this will snap the blade and cause damage

## BATTERY CHARGER OPERATION

Ensure the power source switch is OFF when plugging in Battery Charger  
1. You **MUST** understand the whole Instruction Manual before any

operation. Slide the Battery into the Battery Charger by lining up the terminals on both. It will be secured with an affirmative “click! “.

**NOTE -** To remove the battery, press the Battery Release Button whilst pulling away from the Battery Charger

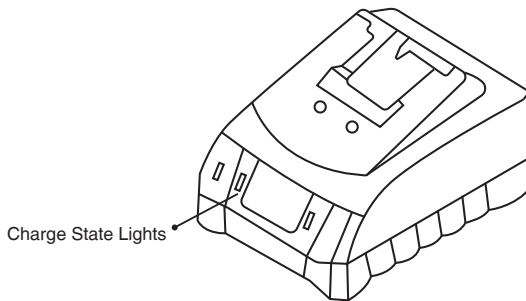


2.Plug in the Battery Charger, then turn on the power source.

3.The Charge State Lights will indicate the following:

Solid Red: Charging

Solid Green: Fully charged



## ■ STORAGE

Keep the machine stored in a dry, level area away from damp, moisture and rain fall. Allow the machine to cool down before storing.

- Make sure the machine is clean and dry before storing.

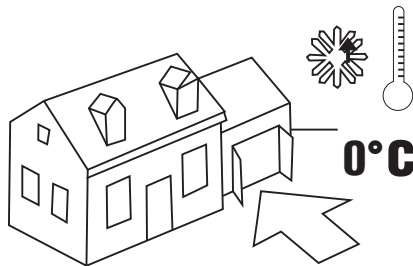
Ensure the machine is stored in a position, where any persons cannot step on, to attempt to reach items up high, due to risk of movement.

- DO NOT store the machine near an ignition source, such as a wood stove, gas or electric heater, or an appliance or heater with a pilot light.

- Store the machine out of reach of children or anyone who is not familiar with operation.

DO NOT stack other items on top of the machine when in storage.

- Make sure the machine is stored away from direct sunlight. Store indoors or in a safe, frost-free area during severe weather and winter months.





**Ronix**<sup>®</sup>  
Premium Quality