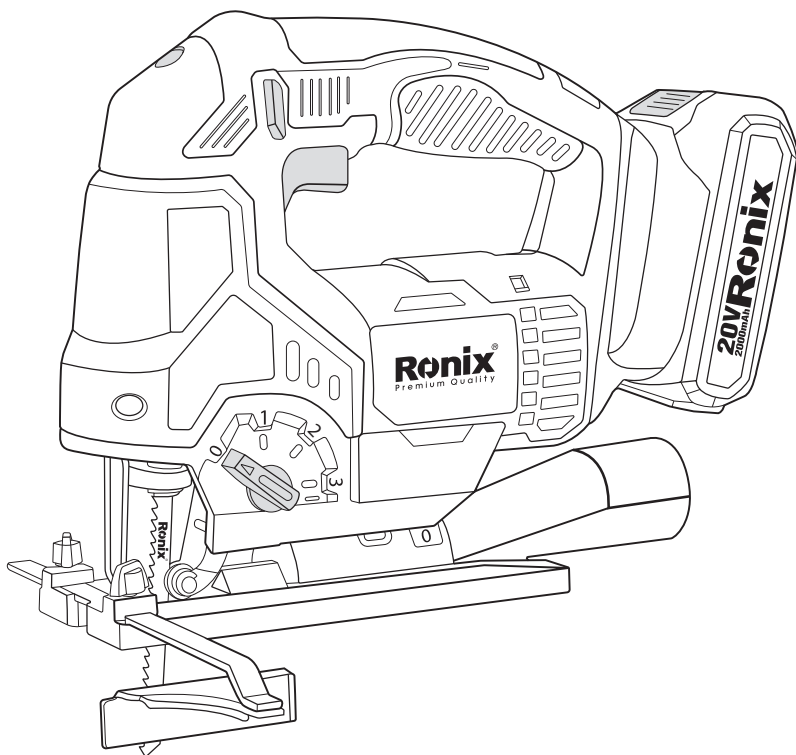


Ronix[®]

Premium Quality

CORDLESS JIG SAW

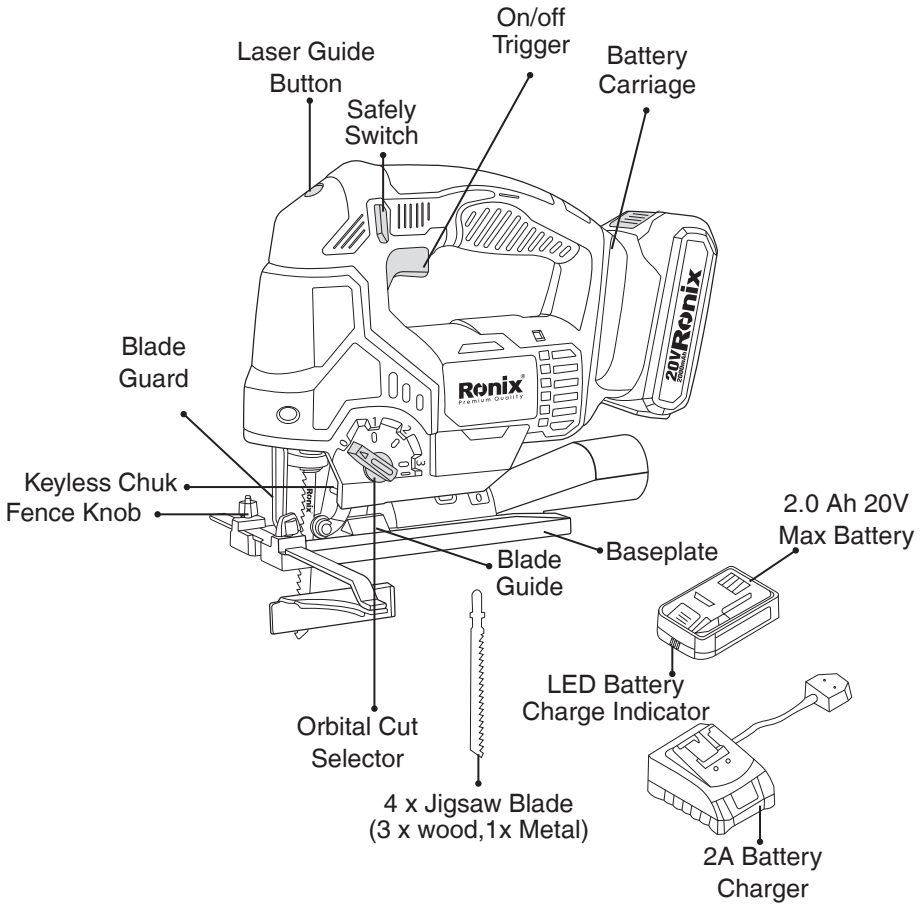
8608



SPECIFICATIONS

Model	8608
Battery Capacity	2Ah
Battery Voltage	20V
Battery Chemistry	Lithium-Ion
No-load Speed	2500 RPM
Max. Saw capacity in wood	80 mm
Max. Saw capacity in steel	10 mm
Max. Saw capacity in plastic	12 mm
Continuous Working Time (All Diodes)	20 min
Charging time	60 min
Weight	2.45 Kg
Supplied in	Ronix BMC bag
Includes	guide ruler, dust tube wood sawblade, metal sawblade, 2pcs 2.0Ah battery, 1pc 2A Charger

PARTS LIST



GENERAL SAFETY RULES

FOR ALL BATTERY-OPERATED TOOLS

WARNING!

READ AND UNDERSTAND ALL INSTRUCTIONS.

For your personal safety, read and understand before using.

Failure to follow all instructions listed below may result in electric shock, fire and/or serious personal injury.

■ **WORK AREA**

1. Keep your work area clean and well lit. Cluttered benches and dark areas invite accidents.
2. Flammable liquids, gases, or dust. Power tools create sparks which may ignite the dust or fumes. Do not operate power tools in explosive atmospheres, such as in the presence of flammable liquids, gases, or dust.
3. Keep bystanders, children, and visitors away while operating a power tool. Distractions can cause you to lose control.

■ **ELECTRICAL SAFETY**

4. Do not abuse the cord. Never use the cord to carry the tool. Keep cord away from Heat, oil, sharp edges, or moving parts. Replace damaged cords immediately. Damaged cords may create a fire.

■ **APPLIES ONLY TO TOOLS WITH A SEPARABLE BATTERY PACK**

5. A battery operated tool with integral batteries or a separate battery pack must be Recharge only with the specified charger for the battery. A charger that may be suitable for one type of battery may create a risk of fire when used with another battery.
6. Use battery operated tool only with specifically designated battery pack. Use of any other batteries may create a risk of fire.

■ PERSONAL SAFETY

7. Stay alert, watch what you are doing, and use common sense when operating a power tool. Do not use tool while tired or under the influence of drugs, alcohol, or medication. A moment of inattention while operating power tools may result in serious personal injury.

8. Dress properly. Do not wear loose clothing or jewelry. Contain long hair. Keep your hair, clothing, and gloves away from moving parts. Loose clothes, jewelry, or long hair can be caught in moving parts.

9. Avoid accidental starting. Be sure switch is in the locked or off position before inserting battery pack. Carrying tools with your finger on the switch or inserting the battery pack into a tool with the switch on invites accidents.

10. Remove adjusting keys or wrenches before turning the tool on. A wrench or a key that is left attached to a rotating part of the tool may result in personal injury.

11. Do not overreach. Keep proper footing and balance at all times. Proper footing and balance enable better control of the tool in unexpected situations.

12. Use safety equipment. Always wear eye protection. Dust mask, non-skid safety shoes, hard hat, or hearing protection must be used for appropriate conditions.

■ TOOL USE AND CARE

13. Use clamps or other practical way to secure and support the work piece to a stable platform. Holding the work by hand or against your body is unstable and may lead to loss of control.

14. Do not force tool. Use the correct tool for your application. The correct tool will do the job better and safer at the rate for which it is designed.

15. Do not use tool if switch does not turn it on or off. A tool that cannot be controlled with the switch is dangerous and must be repaired.

16. Disconnect battery pack from tool or place the switch in the locked or off position before making any adjustments, changing accessories, or storing the tool. Such preventive safety measures reduce the risk of starting the tool accidentally.

17. Store idle tools out of reach of children and other untrained persons. Tools are dangerous in the hands of untrained users.
18. When battery pack is not in use, keep it away from other metal objects like: paper clips, coins, keys, nails, screws, or other small metal objects that can make a connection from one terminal to another. Shorting the battery terminals together may cause sparks, burns, or a fire.
19. Maintain tools with care. Keep cutting tools sharp and clean. Properly maintained tools with sharp cutting edge are less likely to bind and are easier to control.
20. Check for misalignment or binding of moving parts, breakage of parts, and any other condition that may affect the tool's operation. If damaged, have the tool serviced before using. Many accidents are caused by poorly maintained tools.
21. Use only accessories that are recommended by the manufacturer for your model. Accessories that may be suitable for one tool may create a risk of injury when used on another tool.

■ SERVICE

22. Tool service must be performed only by qualified repair personnel. Service or maintenance performed by unqualified personnel may result in a risk of injury.
23. When servicing a tool, use only identical replacement parts.

■ IMPORTANT CHARGING NOTES

1. Do not store in locations where the temperature may exceed 40°C.
2. Charge only at ambient temperatures between 4°C and 40°C.
3. Charge only using the charger provided with the tool as other chargers might use different amperages and can damage or destroy your battery and /or screwdriver
4. Unplug charger before attempting to clean.
5. Do not immerse charger in water or any other liquid.
6. Charging time around 1 hour

⚠ CAUTION!

Never attempt to open the battery pack for any reason. If the plastic housing of the battery pack breaks or cracks, return it to a service center for recycling.

⚠ WARNING!

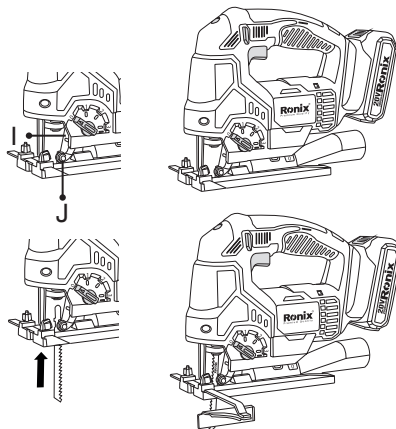
Do not allow liquid to enter charger. Electric shock could result. To cool the battery pack after use, avoid placing the charger in a warm environment such as in a metal shed or non-insulated trailer.

Ronix service Authorized Service Center.

■ BLADE ASSEMBLY

Ensure the Battery is Disconnected throughout assembly

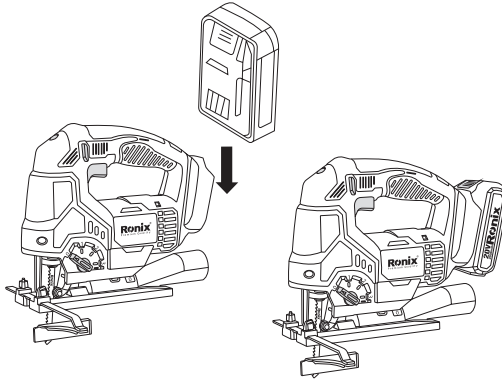
1. Firstly, open the Keyless Chuck (I). This is done by rotating it clockwise.
2. Insert a Jigsaw Blade, with the flat edge against the Blade Guide (J).
3. Fully insert the blade into the Keyless Chuck (I), then release to secure the blade into place. If not secured, try again.
4. To remove blade, follow the steps in reverse.



■ BATTERY ASSEMBLY

Ensure the Battery is fully charged before assembly

1. Slide the Battery into the Battery Carriage at the bottom on the Handle.
An audible *click* will be heard when it's correctly located.

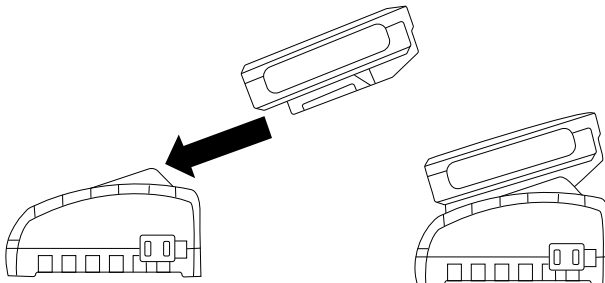


■ BATTERY CHARGER OPERATION

Ensure the power source switch is OFF when plugging in Battery Charger

1. You MUST understand the whole Instruction Manual before any operation. Slide the Battery into the Battery Charger by lining up the terminals on both. It will be secured with an affirmative *click!*

NOTE - To remove the battery, press the Battery Release Button whilst pulling away from the Battery Charger



2.Plug in the Battery Charger, then turn on the power source.

3.The Charge State Lights will indicate the following:

Solid Red: Charging

Solid Green: Fully charged

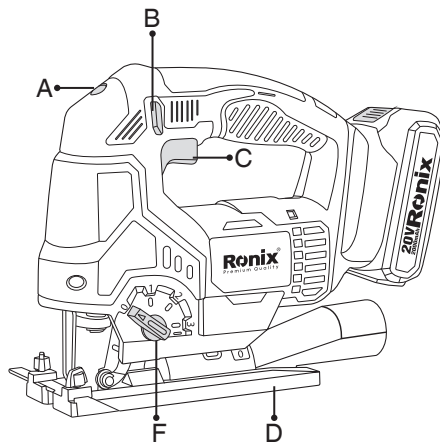
STARTING AND STOPPING

⚠ WARNING!

You **MUST** read and fully understand the whole user manual before operation

To start the machine, firstly press the Safety Switch (B). At the same time, press the On/Off Trigger (C). The machine will start.

Allow 1 to 2 seconds for the machine to reach maximum operating speed before starting a cut.



■ SUITABLE CUTTING

When starting a cut, rest the machine on the front of the Baseplate (D), work the blade into the workpiece without too much force, this may make the blade kick back, or cause the motor to stall. **NEVER MAKE CURVED CUTS**, this will snap the blade and cause damage.

Press the Laser Guide Button (A) to turn on the Laser Guide. This will project a line on the workpiece, showing the machines path.

ORBITAL CUTTING

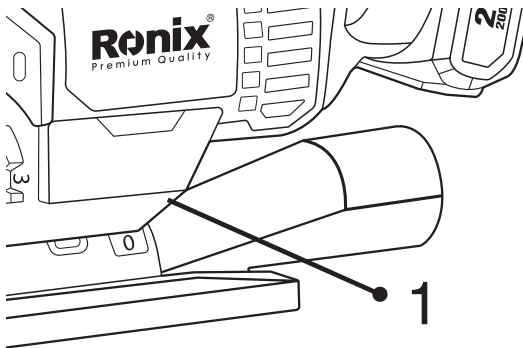
Adjust the Orbital Cut Selector (F) to add elliptical motion to the cutting blade. This adds Forward and Backward movement to the Jigsaw blade, for a more aggressive cut. ONLY SUITABLE FOR WOOD.

BEVEL ADJUSTMENT

WARNING!

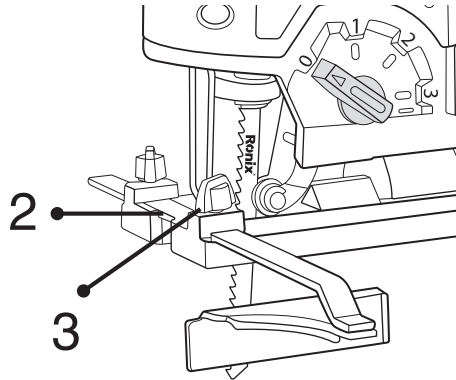
Remove the battery when adjust the machine, this will prevent accidental starting.

1. With the machine upside down, unlock the Bevel Lever by lifting it.
2. Push the Baseplate forward, which will free it to move.
3. Adjust the Baseplate to desired angle.
4. Push the Baseplate backward to re-engage it with the machine body, preventing it from moving.
5. Press the Bevel Lever down to secure the chosen angle.



FENCE ADJUSTMENT

1. Loosen the Fence Knob (3) on both sides
2. Insert the Fence plate (2) through the Fence Knob (3). Then adjust the desired length.
3. Tighten the Fence Knob (3)



GENERAL MAINTENANCE

⚠ WARNING!

Turn OFF the machine, allow all moving parts to come to a complete stop, and disconnect the power cord before maintaining the machine. You need to wear proper clothing and protective gloves whenever your hands are at risk. Keep all nuts, bolts and screws tight to be sure the machine is in a safe working condition.

Replace worn or damaged parts for safety. Only use manufacturer-recommended parts and accessories.

■ STORAGE

Keep the machine stored in a dry, level area away from damp, moisture and rain fall. Allow the machine to cool down before storing.

- Make sure the machine is clean and dry before storing.

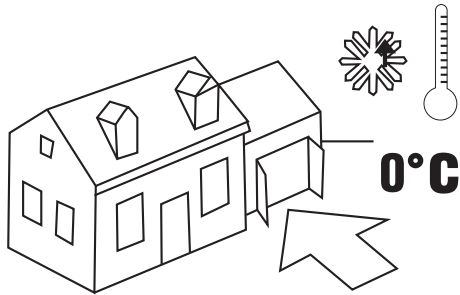
Ensure the machine is stored in a position, where any persons cannot step on, to attempt to reach items up high, due to risk of movement.

- DO NOT store the machine near an ignition source, such as a wood stove, gas or electric heater, or an appliance or heater with a pilot light.

- Store the machine out of reach of children or anyone who is not familiar with operation.

DO NOT stack other items on top of the machine when in storage.

- Make sure the machine is stored away from direct sunlight. Store indoors or in a safe, frost-free area during severe weather and winter months.



Ronix[®]
Premium Quality