

Ronix®

Premium Quality

LOCK & LOAD 3.6V LI-ION CORDLESS SCREWDRIVER

8505



www.ronixtools.com

12
MONTHS
GUARANTY

FREE
DELIVERY

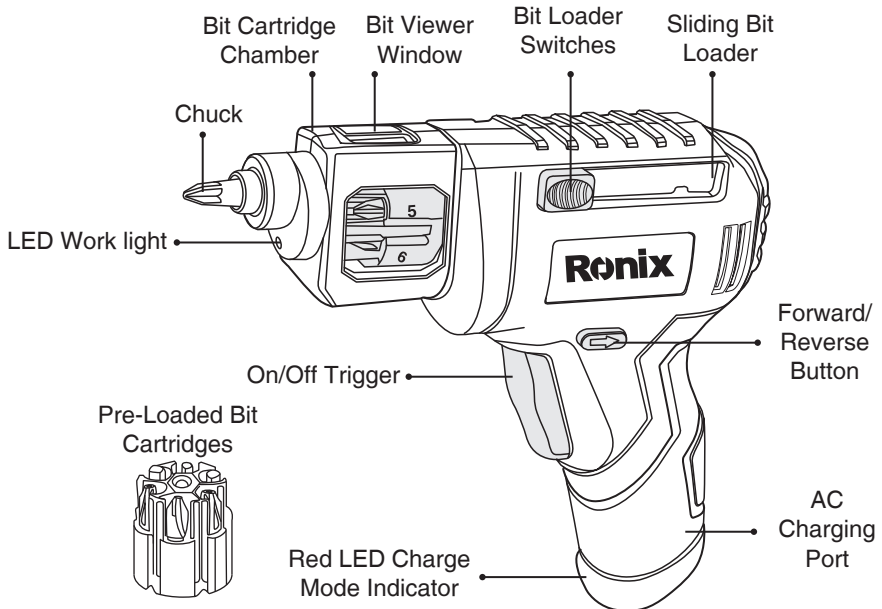
BANK
SPARE PARTS

CALL
CENTER
02161904

TECHNICAL SPECIFICATIONS

Model	8505
Voltage	3.6V DC
No Load Speed	200RPM
Chuck capacity	6.35mm
Battery	1.5Ah Samsung Li-Ion
Charge time	3-5Hr
Torque	3N.m
Weight	0.56KG

PART LIST



 **WARNING!**

For your personal safety, read and understand before using & keep this instruction manual for future reference.

OPERATING INSTRUCTIONS



Please read the operation instructions meticulously and pay particular attention to the safety instructions.

 **CAUTION:**

Charging time should not exceed 10-12 hours.

GENERAL SAFETY RULES FOR ALL BATTERY OPERATED TOOLS

 **WARNING!**

READ AND UNDERSTAND ALL INSTRUCTIONS.

Failure to follow all instructions listed below, may result in electric shock, fire and/or serious personal injury.

■ WORK AREA

- Keep your work area clean and well lit. Cluttered benches and dark areas invite accidents.
- Flammable liquids, gases, or dust. Power tools create sparks which may ignite the dust or fumes. Do not operate power tools in explosive atmospheres, such as in the presence of flammable liquids, gases, or dust.
- Keep bystanders, children, and visitors away while operating a power tool. Distractions can cause you to lose control.

■ ELECTRICAL SAFETY

- Do not abuse the cord.
- Never use the cord to carry the tool.

- Keep cord away from heat, oil, sharp edges, or moving parts. Replace damaged cords immediately. Damaged cords may create a fire.

APPLIES ONLY TO TOOLS WITH A SEPARABLE BATTERY PACK

- A battery operated tool with integral batteries or a separate battery pack must be recharged only with the specified charger for the battery. A charger that may be suitable for one type of battery may create a risk of fire when used with another battery.
- Use battery operated tool only with specifically designated battery pack. Use of any other batteries may create a risk of fire.

■ PERSONAL SAFETY

- Stay alert, watch what you are doing, and use common sense when operating a power tool. Do not use tool while tired or under the influence of drugs, alcohol, or medication. A moment of inattention while operating power tools may result in serious personal injury.
- Dress properly. Do not wear loose clothing or jewelry. Contain long hair. Keep your hair, clothing, and gloves away from moving parts. Loose clothes, jewelry, or longhair can be caught in moving parts.
- Avoid accidental starting. Be sure switch is in the locked or off position before inserting battery pack. Carrying tools with your finger on the switch or inserting the battery pack into a tool with the switch on invites accidents.
- Remove adjusting keys or wrenches before turning the tool on. A wrench or a key that is left attached to a rotating part of the tool may result in personal injury.
- Do not overreach. Keep proper footing and balance at all times. Proper footing and balance enable better control of the tool in unexpected situations.
- Use safety equipment. Always wear eye protection. Dust mask, non-skid safety shoes, hard hat, or hearing protection must be used for appropriate conditions.

■ TOOL USE AND CARE

- Use clamps or other practical way to secure and support the work piece to a stable platform. Holding the work by hand or against your body is unstable and may lead to loss of control.
- Do not force tool. Use the correct tool for your application. The correct tool will do the job better and safer at the rate for which it is designed. Do not use tool if switch does not turn it on or off. A tool that cannot be controlled with the switch is dangerous and must be repaired.
- Disconnect battery pack from tool or place the switch in the locked or off position before making any adjustments, changing accessories, or storing the tool. Such preventive safety measures reduce the risk of starting the tool accidentally.
- Store idle tools out of reach of children and other untrained persons. Tools are dangerous in the hands of untrained users.
- When battery pack is not in use, keep it away from other metal objects like: paper clips, coins, keys, nails, screws, or other small metal objects that can make a connection from one terminal to another. Shorting the battery terminals together may cause sparks, burns, or a fire.
- Maintain tools with care. Keep cutting tools sharp and clean. Properly maintained tools with sharp cutting edge are less likely to bind and are easier to control.
- Check for misalignment or binding of moving parts, breakage of parts, and any other condition that may affect the tool's operation. If damaged, have the tool serviced before using. Many accidents are caused by poorly maintained tools.
- Use only accessories that are recommended by the manufacturer for your model. Accessories that may be suitable for one tool may create a risk of injury when used on another tool.

SERVICE

- Tool service must be performed only by RONIX PLUS qualified repair personnel. Service or maintenance performed by unqualified personnel

may result in a risk of injury.

- When servicing a tool, use only identical replacement parts of RONIX PLUS after sales service centers.

SAFETY INSTRUCTIONS

⚠ WARNING!

When using electric tools, basic safety precautions should always be followed to reduce the risk of fire, electric shock and personal injury, including the following. Read all these instructions before attempting to operate this product and save these instructions.

For safe operations:

1) KEEP WORK AREA CLEAN

- Cluttered areas and benches invite injuries.

2) CONSIDER WORK AREA ENVIRONMENT

- Don't expose power tools to rain. Don't use power tools in damp or wet locations. Keep work area well lit. Don't use power tools in presence of flammable liquids or gases.

3) GUARD AGAINST ELECTRIC SHOCK

- Prevent body contact with grounded surfaces (e.g. pipes, radiators, ranges refrigerators).

4) KEEP CHILDREN AWAY

- Do not let visitors contact tool or extension cord. All visitors should be kept away from work area.

5) STORE IDLE TOOLS

- When not in use, tools should be stored in dry, high, or locked-up place, out of the reach of children.

6) DON'T FORCE TOOL

- It will do the job better and safer at the rate for which it was intended.

7) USE RIGHT TOOL

- Don't force small tools or attachments to do the job of a heavy duty tool. Don't use tools for purposes not intended; for example, don't use circular saw for cutting tree limbs or logs.

8) DRESS PROPERTY

- Do not wear loose clothing or jewelry. They can be caught in moving parts. Rubber gloves and non-skid wear recommended when working outdoors. Wear protective hair covering to contain long hair.

9) USE SAFETY GLASSES

- Also use face or dust mask if cutting operation is dusty.

10. Don't abuse cord

- Never carry tool by cord or yank it to disconnect it from receptacle. Keep cord from heat, oil and sharp edges.

11) SECURE WORK

- Use clamps or a vise to hold work is safer than using your hand and it trees both hands to operate tout.

12) DON'T OVERREACH

- Keep proper footing and balance at all times.

13) MAINTAIN TOOLS WITH CARE

- Keep tools clean for better and safer performance. Follow instructions for lubricating and changing accessories, inspect tool cords periodically and if damaged, have repaired by authorized service facility. Inspect extension cords periodically and replace if damaged. Keep handles dry, clean and free from oil and grease.

14) DISCONNECT TOOLS

- When not in use, before servicing, and when changing accessories such as blades, bits and cutters.

15) REMOVE ADJUSTING KEYS AND WRENCHES

- Form the habit of checking to see that keys and adjusting wrenches are removed from tool before turning it on.

16) AVOID UNINTENTIONAL STARTING

- Don't carry plugged-in tool with finger on switch. Be sure switch is off when plugging in.

17) OUTDOOR USE EXTENSION CORDS

- When tool is used outdoors, use only extension cords intended for use outdoors and sat marked.

18) STAY ALERT

- Watch what you are doing. Use common sense. Do not operate fool when you are tired.

19) CHECK DAMAGED PARTS

- Before further use of the tool, a guard or other part that is damaged should be carefully checked to determine that it will operate properly and perform its intended function. Check for alignment of moving parts, binding of moving parts, breakage of parts, mounting, and any other conditions that may affect its operation. A guard of other part that is damaged should be properly repaired or replaced by an authorized service canter unless otherwise indicated elsewhere in this instruction manual. Have defective switches replaced by an authorized service center. Do not use tool if switch does not turn it on and off.

WARNING!

- The use of any other accessory or attachment other than recommended

in this operating instruction or the original catalogue may present a risk of personal injury.

20) HAVE YOUR TOOT REPAIRED BY AN EXPERT

- This electric appliance is in accordance with the relevant salty rules. Repairing of electric appliances may be carried out only by experts otherwise it may cause considerable danger for the user.

IMPORTANT CHARGING NOTES

- 1) Do not store in locations where the temperature may exceed 40°C.
- 2) Charge only at ambient temperatures between 4°C and 40°C.
- 3) Charge only using the charger provided with the tool as other chargers might use different amperages and can damage or destroy your battery and /or screwdriver
- 4) Unplug charger before attempting to clean.
- 5) Do not immerse charger in water or any other liquid.
- 6) Charging time around 3-5hours

CAUTION:

Never attempt to open the battery pack for any reason. If the plastic housing of the battery pack breaks or cracks, return it to a service center for recycling.

WARNING!

Do not allow liquid to enter charger. Electric shock could result. To cool the battery pack after use, avoid placing the charger in a warm environment such as in a metal shed or a non-insulated trailer.

OPERATION

■ CHARGING THE BATTERY

⚠ WARNING!

The charger and battery are specifically designed to work together so do not attempt to use any other devices.

Never insert or allow metallic objects into your charger or battery pack connections because an electrical failure and hazard will occur.

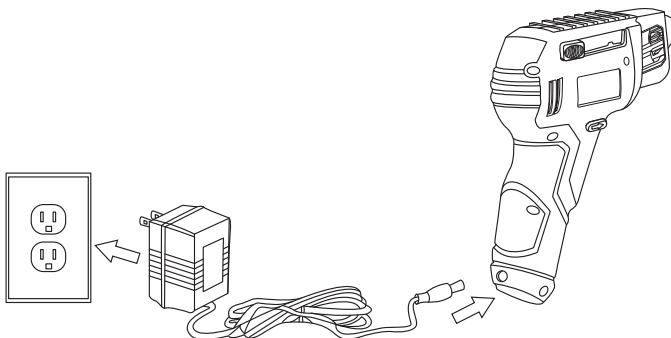
The charger is designed to use standard household 220volt 50Hz power.

⚠ IMPORTANT:

Before using this tool, you must charge the battery.

■ CHARGING THE BATTERY

- 1) The battery needs to be charged before first use.
- 2) Only after several charge and discharge cycles will the battery attain and maintain full capacity.
- 3) The battery may become warm while charging, this is normal and does not indicate a problem.
- 4) To charge the battery, plug the output cord of the charger into the AC power port of the Cordless Screwdriver unit as shown the image;
- 5) Plug in the charger to the wall outlet and the red light will come on.



- 6) Leave the Cordless Screwdriver connected to the charger for up to 5 hours.
- 7) Red LED (8) will come on in charge mode and go off when battery is fully charged.

Before using the tool, unplug the charger and disconnect the tool from the charger.

⚠ NOTE:

The Lithium-Ion battery in this tool must be fully charged once per year in order to maintain its charging capacity. Failure to do so could deteriorate the battery's ability to hold a charge and could render the tool inoperable.

■ USING THE TOOL

This tool is operated by a single forward/reverse switch.

Pushing in the forward arrow side will move the bit collect in a clock-wise direction when the trigger is engaged. Pushing in the reverse arrow side will move the bit collect in a counter-clockwise direction.

The trigger will be locked when the switch is set between both forward and reverse settings.

This driver comes with an LED work light for better visibility in low-lighted areas.

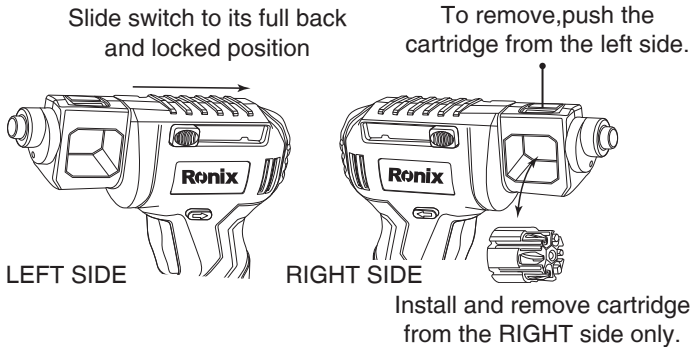
The LED comes on automatically when the trigger is engaged.

■ INSTALLING/REMOVING BIT CARTRIDGES

Before installing or removing bit cartridges from the chamber, the sliding bit loader must be set to the full back and locked position. Bit cartridges cannot be removed or installed unless the sliding bit loader is in this position (See below image)

- 1) Bit cartridges are installed and removed only from the right side of the driver (See below image).
- 2) To install a bit cartridge, first ensure the sliding bit loader is in its full back and locked position (See below image).

- 3) Orient the bit cartridge with bits facing forward and press it into the bit chamber opening from the right side. Make sure the cartridge is secure and rotates easily inside the chamber.
- 4) To remove a bit cartridge, put the sliding bit loader in its full back and locked position. From the left side of the chamber, push the cartridge to the right, through the chamber and then out.



TRIGGER SWITCH & REVERSING BUTTON

■ LOADING/UNLOADING DRIVER BITS

Sliding the bit loader forward with a bit cartridge installed will load a bit into the collect and into position for driving. Sliding the bit loader back will draw the bit back into the cartridge.

- 1) To move the sliding bit loader forward, press both of the bit loader switches “in” at the same time to release the lock (See below image). Slide the switches forward to load a bit and backwards to unload a bit. Switches cannot be moved separately.

To avoid malfunction, ensure the switches are locked in place after sliding forward or backward.

- 2) Install the desired bit cartridge by following instructions on last page. Check that the cartridge is secure and rotates easily inside the chamber.

▲ NOTE:

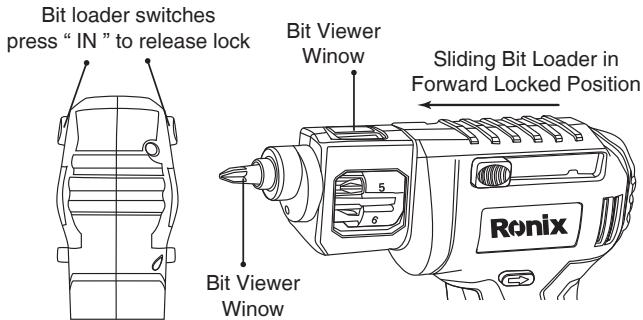
For the bit cartridge to rotate, the sliding bit loader must be in its full back

and locked position.

3. Select the desired driving bit by rotating the cartridge in the chamber in either direction while viewing the bits from either side of the chamber. Position the desired bit at the top of the chamber where it can be seen through the bit viewer window (See below image). The cartridge will “seat” in place at this top position. Move the sliding bit loader forward to load the bit.

⚠ NOTE:

The sliding bit loader will not advance if the cartridge is not properly seated in the top position.



⚠ WARNING!

Always wear safety goggles or safety glasses with side shields during power tool operation or when blowing dust. If operation is dusty, also wear a dust mask.

⚠ WARNING!

To ensure safety and reliability, all repairs should be performed by a qualified service technician at Authorized Service Center.

MAINTENANCE

- Your tool requires no additional lubrication or maintenance.
- There are no user serviceable parts in your power tool.

- Never use water or chemical cleaners to clean your power tool. Wipe clean with a dry cloth.
- Always store your power tool in a dry place.
- Keep the motor ventilation slots clean. Keep all working controls free of dust.
- Occasionally you may see sparks through the ventilation slots. This is normal and will not damage your power tool.
- Avoid using solvents when cleaning plastic parts. Most plastics are susceptible to damage from various types of commercial solvents.
- Use clean clothes to remove dirt, dust, oil, grease, etc.

 **WARNING!**

To avoid serious personal injury, always remove the battery pack from the tool when cleaning or performing any maintenance.

 **WARNING!**

When servicing, use only identical replacement parts. Use of any other parts may create a hazard or cause product damage. To ensure safety and reliability, all repairs should be performed by a qualified service technician at an Authorized Service Center.



Ronix[®]
Premium Quality

www.ronixtools.com