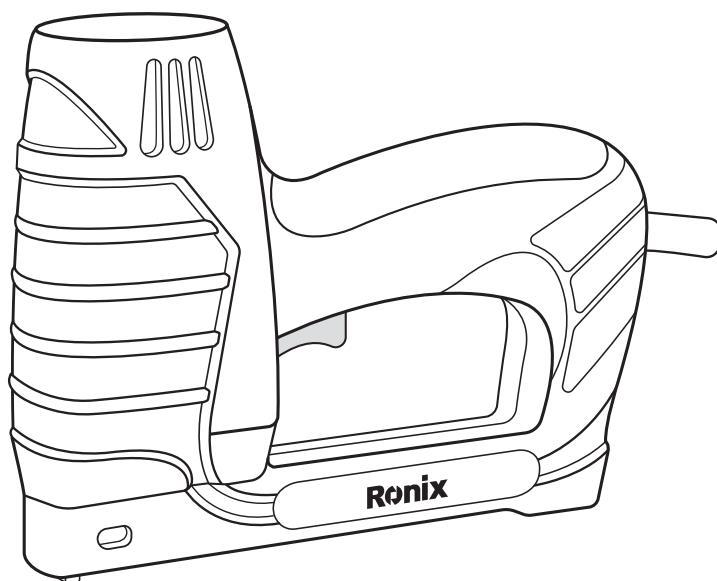


Ronix[®]

Premium Quality

ELECTRIC STAPLER/NAIL GUN

7514



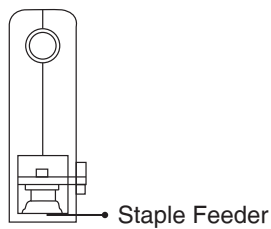
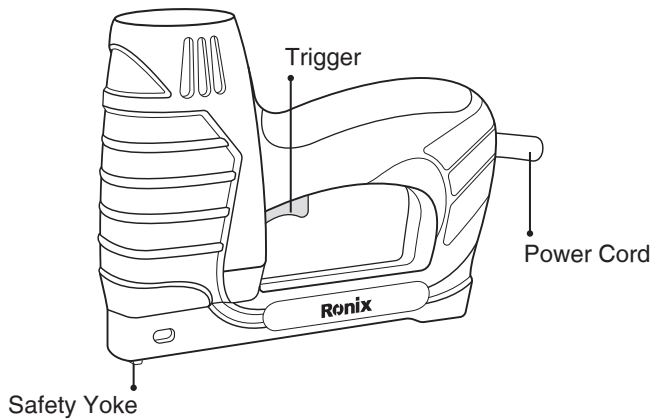
www.ronixtools.com



SPECIFICATION

Model	7514
Power	20W
Frequency	50-60Hz
Voltage	220-240V
Nb of Shots/Min	20
Maximum Magazine Capacity	100
Staple Size	10.6, 11.3mm
Max Nail Length	F15 (16mm)-Gauge 18
Weight	0.95Kg
Includes	400 pcs Staples + 100 pcs Nails

PARTS LIST



GENERAL SAFETY RULES

WARNING!

Read and understand all instructions. Failure to follow all instructions listed below may result in electric shock, fire and/or serious personal injury. The warnings, cautions, and instruction discussed in this instruction manual cannot cover all possible conditions and situations that may occur. It must be understood by the operator that common sense and caution are a factor which cannot be built into this product, but must be supplied by the operator.

■ **WORK AREA**

- 1- Keep your work area clean and well organized. Cluttered benches and dark areas invite accidents.
- 2- Do not operate power tools in explosive atmosphere, such as in the presence of flammable liquids, gases, or dust. Power tools create sparks which may ignite the dust or fumes.
- 3- Keep bystanders, children and visitors away while operating a power tool. Distractions can cause you to lose control.

■ **ELECTRICAL SAFETY**

- 1- Do not change the plug in any way. Double Insulation eliminates the need for the three wire grounded power cord and grounded power supply system.
- 2- Avoid body contact with grounded surfaces such as pipes, radiators, ranges and refrigerators. There is an increased risk of electric shock if your body is grounded.
- 3- Don't expose Staple Gun to rain or wet conditions. Water entering a power tool will increase the risk of electric shock.
- 4- Do not abuse the cord. Never use the cord to carry the tools or pull the plug from an outlet. Keep cord away from heat, oil, sharp edges or moving parts. Replace damaged cords immediately. Damaged cords increase the risk of electric shock; it may create a risk of fire.

5- When operating a power tool outside, use an extension cord suitable for outdoor use and is marked “W-A” or “W.” These cords are rated for outdoor use and reduce the risk of electric shock.

6- During normal operation, if anything happens, the power should be cut off at once and the tool should be checked and repaired.

■ PERSONAL SAFETY

1- Stay alert, watch what you are doing and use common sense when operating a power tool. Do not use tool while tired or under the influence of drugs, alcohol, or medication. A moment of inattention while operating power tools may result in serious personal injury.

2- Dress properly. Do not wear loose clothing or jewelry. Contain long hair. Keep your hair, clothing and gloves away from moving parts. It is recommended to wear protective goggles, gloves, sturdy non slipping shoes and an apron while operating the machine.

3- Avoid accidental starting. Be sure switch is off before plugging in. Carrying tools with your finger on the switch or plugging in tools that have the switch on invites accidents.

4- Remove adjusting wrench before turning the tool on. A wrench or a key that is

5- left attached to a rotating part of the tool may result in personal injury.

6- Do not overreach. Keep proper footing and balance at all times. Proper footing and balance enables better control of the tool in unexpected situations.

7- Use safety equipment. Always wear eye protection. Dust mask, non skid safety shoes, hard hat, or hearing protection must be used for appropriate conditions.

■ TOOL USE AND CARE

1- Use clamps or other practical way to secure and support the work piece to a stable platform. Holding the work by hand or against your body is unstable and may lead to loss of control.

2- Do not force tool. Use the correct tool for your application. The correct

tool will do the job better and safer at the rate for which it is designed.

3- Do not use tool if switch does not turn ON and OFF. Any tool that cannot be controlled with the switch is dangerous and must be repaired.

4- Disconnect the plug from the power source before making any adjustments, changing accessories or storing the tool. Such preventive safety measures reduce the risk of starting the tool accidentally.

5- Store idle tools out of reach of children and other untrained persons. Tools are dangerous in the hands of untrained users. They should be kept away from work area.

6- Maintain tools with care. Keep cutting tools sharp and clean. Properly maintained tools, with sharp cutting edges are less likely to bind and are easier to control.

7- Check for misalignment or binding of moving parts, breakage of parts, and any other condition that may affect the tools operation. If damaged, have the tool serviced before using. Many accidents are caused by poorly maintained tools.

8- Use only accessories that are recommended by the manufacturer for your model. Accessories that may be suitable for one tool, may become hazardous when used on another tool.

■ **NOISE / VIBRATION INFORMATION**

Measured values determined according to EN 60745-1 and EN 60745-2-16. The A-weighted noise levels of the tool are typically: sound pressure level: 81.5 dB (A); sound power level: 92.5 dB (A).

Measuring inaccuracy K = 3 dB(A).

Wear hearing protection! The typical hand arm vibration is 2.63 m/s²,
Measuring inaccuracy K = 1.5 m/s²

■ **SERVICE**

1- Tool service must be performed only by qualified repair personnel. Service or maintenance performed by unqualified personnel could result in a risk of injury.

2- When servicing a tool, use only identical replacement parts. Follow

instructions in the Maintenance section of this manual. Use of unauthorized parts or failure to follow Maintenance Instructions may create a risk of electric shock or injury.

 PLEASE READ AND SAVE THESE INSTRUCTIONS TO ENSURE THE SAFE AND EFFECTIVE USE OF THIS TOOL

- 1- Staple Gun must not be loaded with staples and nails at the same time.
- 2- Do not lubricate. The Staple Gun has been lubricated at the factory. Under normal use it will not need further lubrication.
- 3- Do not hold the Stapler Gun toward people, it could invite serious injuries.
- 4- Store Staple Gun a dry locked cabinet and keep it out of reach of children.
- 5- Always assume that the tool contains fasteners. Careless handling of the tacker can result in unexpected firing of fasteners and personal injury.
- 6- Do not point the tool towards yourself or anyone nearby. Unexpected triggering will discharge the fastener causing an injury.
- 7- Do not actuate the tool unless the tool is placed firmly against the work piece. If the tool is not in contact with the work piece, the fastener may be deflected away from your target.
- 8- Disconnect the tool from the power source when the fastener jams in the tool. While removing a jammed fastener, the tacker may be accidentally activated if it is plugged in.
- 9- Do not use this tacker for fastening electrical cables. It is not designed for electric cable installation and may damage the insulation of electric cables there by causing electric shock or fire hazards.

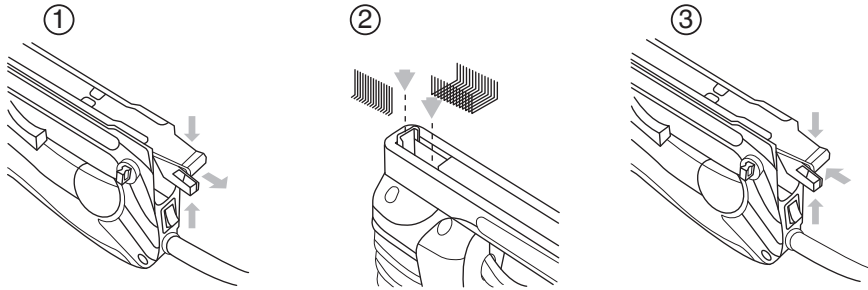
OPERATION

There is one safety related switches, Safety Yoke (fig.1)

For safety concern, the operating step should take in the order of

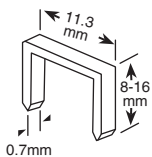
“Connect the plug to a socket on wall or on extension cord” ⇨ “Place the tool so that the safety yoke is lightly in contact with the workspace”
 “Press the Push Button and press the down the tool instantaneously so that the safety you could have sufficient stroke to actuate the fasteners.

TO LOAD THE FASTENERS

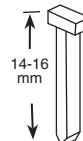
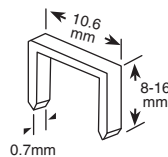


■ STAPLE LOADING

- 1- Turn tacker upside down and pull the magazine to the end (Fig.1)
- 2- Load a strip of staples or nails into the tunnel (Fig.2-push back the magazine to it is lock position (Fig. 3)
- 3- The staples can only be loaded into the tunnel with the backs of staples facing downwards (Fig.2).
- 4- The nails can only be loaded into the tunnel at this side (Fig.2)



- ARROW ® JT-21
- ESCO # 530
- KWB # 053
- NOVUS # 53
- RAPID #53
- ROCAFIX # 3
- STANLEY # A/53



- 18 GAUGE BRAD NAIL
- ARROW 1810
- ESCO # 300
- NOVUS#J
- ROCAFIX#8

■ TO CLEAN

Use only dry cloth to clean the housing. Using of aggressive or alcoholic

cleaners is not permissible.

MAINTENANCE



CAUTION:

Always be sure that the tool is switched OFF.

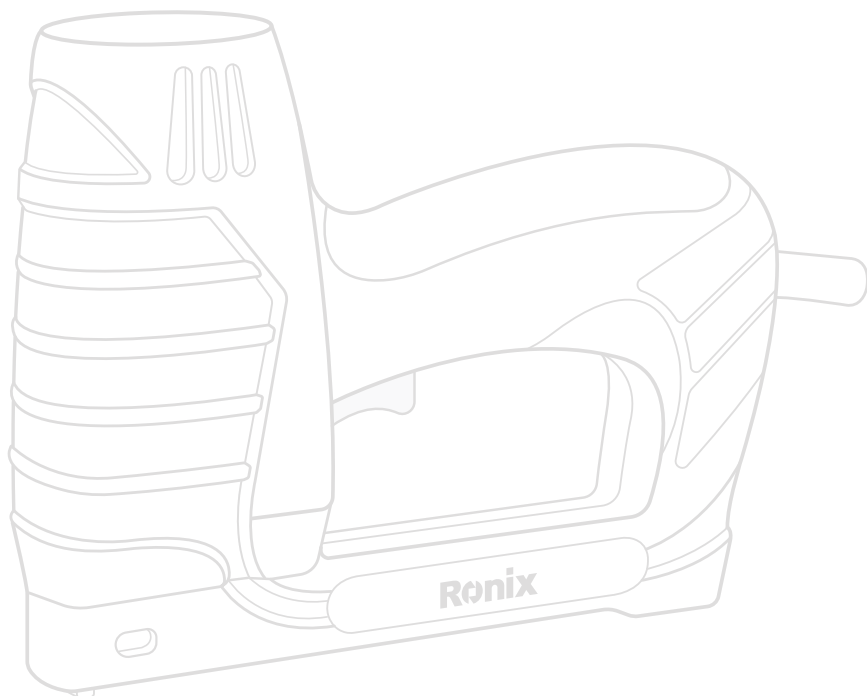
■CLEANING

Clean dust and debris from the staple gun vents. Keep the staple gun clean, dry and free of oil and grease. Use only mild soap and a damp cloth to clean the staple gun. Certain cleaning agents and solvents are harmful to plastic and other insulated parts. Do not use gasoline, turpentine, lacquer thinner, paint thinner, chlorinated cleaning solvent, ammonia, or household cleaning detergents containing ammonia to clean staple gun.

ENVIRONMENTAL PROTECTION



If the tool should no longer work at all, please make sure that it is disposed in an environmentally friendly way, by handing it into a public collection point. Please do not put it with your household waste.



ELECTRIC STAPLER /NAIL GUN





www.ronixtools.com