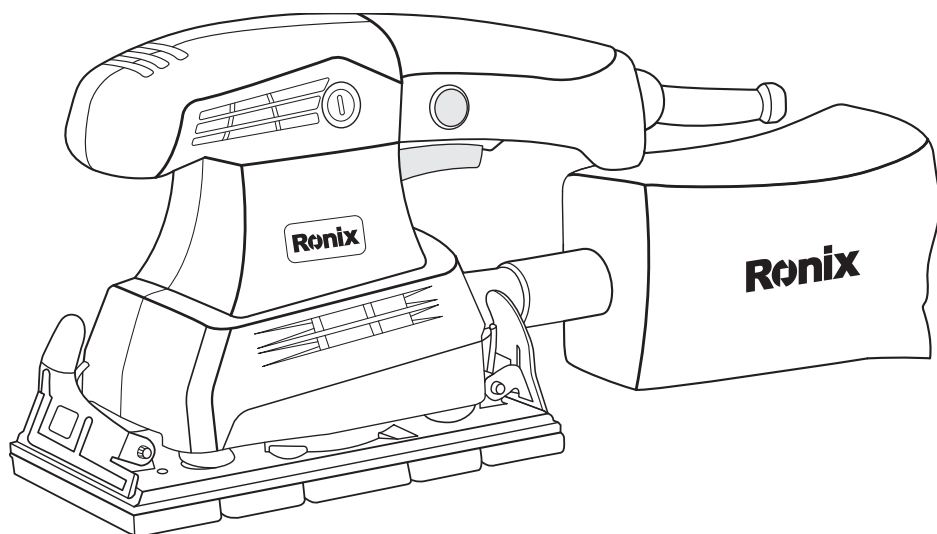


Ronix[®]

Premium Quality

ORBITAL SANDER 6401



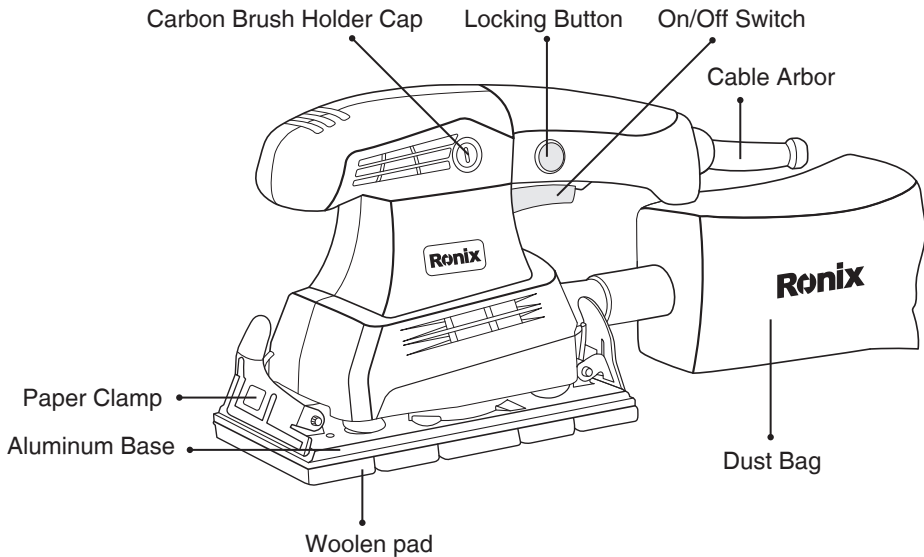
SPECIFICATIONS

Model	6401
Power	300W
Voltage	220-240V
Frequency	50-60Hz
Includes	Dust bag, Abrasive paper, Plate
Weight	2Kg
Base Plate	185*93mm
No-load RPM	13000 RPM
Supplied In	Ronix color box

⚠ WARNING!

For your personal safety, Read and understand before using.
SAVE THESE INSTRUCTIONS FOR FUTURE REFERENCE.

PARTS LIST



GENERAL SAFETY RULE

WARNING!

Read and understand all instructions. Failure to follow all instructions listed below may result in electric shock, fire and/or serious personal injury.

■ **WORK AREA**

- Keep your work area clean and well lit. Cluttered benches and dark areas invite accidents.
- Do not operate power tools in explosive atmosphere, such as in the presence of flammable liquids, gases, or dust. Power tools create sparks which may ignite the dust or fumes.
- Keep bystanders, children, and visitors away while operating a power tool. Distractions can cause you to lose control.

■ **ELECTRICAL SAFETY**

- Power tool plugs must match the outlet. Never modify the plugs in any way. Do not use any adapter plugs with earthed power tools. Unmodified plugs and matching outlets will reduce risk of electric shock. Do not change the plug in any way. Double insulation eliminates the need for the three wire grounded power cord and grounded power supply system.
- Avoid body contacting with grounded surfaces such as pipes, radiators, ranges and refrigerators. There is an increased risk of electric shock if your body is grounded.
- Do not expose power tools to rain wet conditions. Water entering a power tool will increase the risk of electric shock.
- Do not abuse the cord. Never use the cord to carry the tools or pull the plug from an outlet. Keep cord away from heat, oil, sharp edges or moving parts. Replace damaged cords immediately. Damaged cord increases the risk of electric shock.
- When operating a power tool outside, use an outdoor extension cord marked "W-A" or "W". These cords are rated for outdoor use and reduce the risk of electric shock.

■ PERSONAL SAFETY

- Stay alert, watch what you are doing and use common sense when operating a power tool. Do not use tool while tired or under the influence of drugs, alcohol, or medication. A moment of inattention while operating power tools may result in serious injury.
- Dress properly. Do not wear loose clothing or jewelry. Contain long hair. Keep your hair, clothing, and gloves away from moving parts. Loose clothes, jewelry, or long hair can be caught in moving parts.
- Avoid accidental starting. Be sure switch is off before plugging in. Carrying tools with your finger on the switch or plugging in tools that have the switch on invites accidents.
- Remove adjusting keys or wrenches before turning the tool on. A wrench or a key that is left attached to a rotating part of the tool may result in personal injury.
- Do not overreach. Keep proper footing and balance at all times. Proper footing and balance enables better control of the tool in unexpected situations.
- Use safety equipment. Always wear eye protection. Dust mask, non-skid safety shoes, hard hat, or hearing protection may be used for appropriate conditions. Ordinary eye or sun glasses are NOT eye protection.

■ TOOL USE AND CARE

- Use clamps or other practical way to secure and support the work piece to a stable platform. Holding the work by hand or against your body is unstable and may lead to loss of control.
- Do not force tool. Use the correct tool for your application. The correct tool will do the job better and safer at the rate for which it is designed.
- Do not use tool if switch does not turn it on or off. Any tool that cannot be controlled with the switch is dangerous and must be repaired.
- Disconnect the plug from the power source before making any adjustments, changing accessories, or storing the tool. Such prevention safety measures reduce the risk of starting the tool accidentally.
- Store idle tools out of reach of children and other untrained persons. Tools are dangerous in the hand of untrained users.

- Maintain tools with care. Keep cutting tools sharp and clean. Properly maintained tools with sharp cutting edges are less likely to bind and are easier to control.
- Check for misalignment or binding of moving parts, breakage of parts, and any other condition that may affect the tools operation. If damaged, have the tool serviced before using. Many accidents are caused by poorly maintained tools.
- Use only accessories that are recommended by manufacturer for your model. Accessories that may be suitable for one tool, may become hazardous when used on another tool.

■ SERVICES

- Tool service must be performed only by qualified repair personnel. Service or maintenance performed by unqualified personnel could result from in a risk of injury.
- When servicing a tool, use only identical replacement parts. Follow instructions in the Maintenance section of the manual. Use of unauthorized parts or failure to follow maintenance instructions may create a risk of electric shock or injury.

■ SPECIFIC SAFETY RULES

Do not let comfort or familiarity with protect (gained from repeated use) replace strict adherence to grinder safety rules. If you use this tool unsafely or incorrectly, you can suffer serious personal injury.

- 1) Always use safety glasses or goggles, protective hat or mask, Ordinary eye or sun glasses are NOT safety glasses.
- 2) Do not leave the tool running. Operating the tool only when hand-held.
- 3) Hold tool by insulated gripping surface when performing and operating where the cutting tool may contact hidden wiring or its own cord. Contact with “live” wire will make exposed metal parts of the tool “live” and shock the operator.
- 4) This tool has not been waterproofed, so do not use water on the work piece surface.

- 5) Hold the tool firmly.
- 6) Ventilate your work area adequately when you perform sanding operations.
- 7) Use of this tool to sand some products, Paints and wood could expose user to dust containing hazardous substances. Use appropriate respiratory protection.

⚠ NOTE:

MISUSE or failure to follow the safety rules stated in this instruction manual may cause serious personal injury.

INSTRUCTIONS FOR USE

■ SYMOBLS

The following show the symbols used for the tool.

- V voltage
- no No load speed
- A ampere
- /min revolutions or reciprocation per minute
- Hz hertz
- class II construction

■ FUNCTIONAL DESCRIPTION

⚠ CAUTION:

Always be sure that the tool is switched off and unplugged before carrying out some inspection or maintenance.

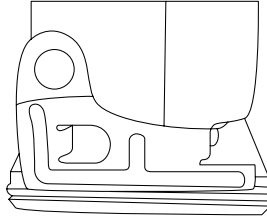
■ INSTALLING OR REMOVING THE ABRASIVE PAPER

To install the abrasive paper, operate the paper clamp. Insert the paper end into the clamp. Center the paper and align the edge parallel to the pad, then lower the clamp lever to secure the paper. (Pre-bending paper makes

attachment easier.)

Repeat the same process for the other end of the base, maintaining the proper paper tension.

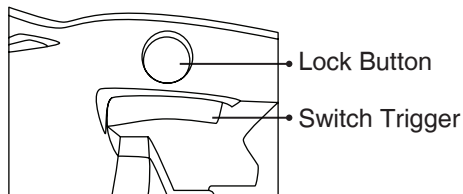
After inserting the paper, make sure the teeth of the clamp hold it securely. Otherwise the paper will be loose and subject to slippage, resulting in uneven sanding operation.



■ SWITCH ACTION

⚠ CAUTION:

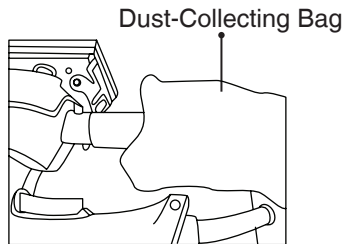
- Before plugging in the tool, always check to see that the tool is switch trigger if you can back to original position freely.
- Push down the switch trigger, the machine start to work, release the switch trigger, the tool stop working gradually.
- For attaining continuous running, push down the switch trigger and then press down the switch button, for stopping the tool, only release the switch trigger till switch button returns to the original position, the tool will stop gradually.



■ EFFECTIVE AND SAFE SANDING

⚠ CAUTION:

- Never run the tool without the abrasive paper. You may seriously damage the pad.
 - Never force the tool. Excessive pressure may decrease the sanding efficiency, damage the abrasive paper or shorten tool life.
- 1) Hold the tool firmly. Turn the tool on and wait it attains full speed. Then gently place the tool on the work piece surface. Keep the pad flush with the work piece and apply slight pressure on the tool.
 - 2) Should remember to choose different material work piece.
E.g. should use 36# or 46# abrasive paper for sanding metal and had better use corundum abrasive paper for sanding wood.
 - 3) User can make a general choice to sanding different material, for enough sanding the roughness abrasive paper should be chosen, in reverse you can get good surface.



⚠ NOTICE:

You are strongly recommended to use the dust collecting bag when operating this machine so that you can much reduce the dust of working environment.

■ INSTALLING THE DUST COLLECTING BAG

⚠ NOTICE:

Please make sure the cord is unplugged before installing or removing the dust-collecting bag.

- You can get a clear working environment if you install the dust- collecting bag for using every time.
- Installation method: align the entrance of bag with the exhaust port and then push into end slightly. The removal procedure is in reverse installation.

Ronix[®]
Premium Quality

www-ronixtools.com