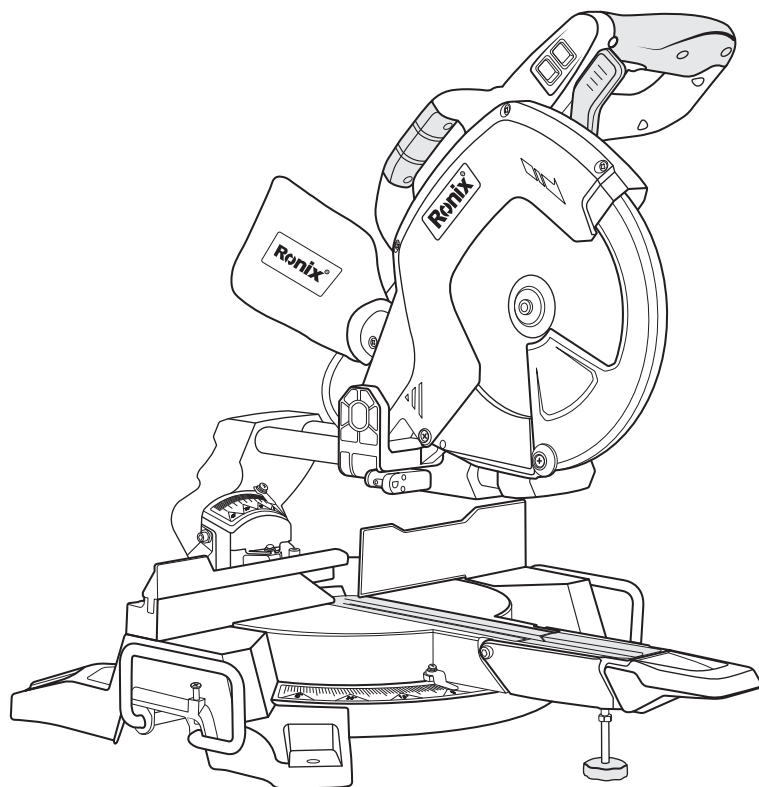


Ronix[®]

Premium Quality

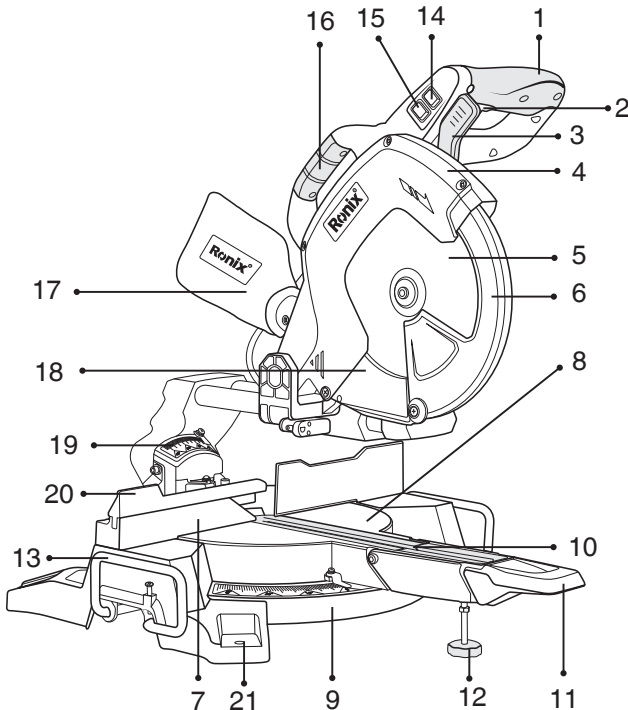
SLIDING MITER SAW 210MM 5401



SPECIFICATION

Model	5401
Power	1500W
Voltage	220-240V
Frequency	50-60Hz
No Load Speed	5000RPM
Blade Size	210×30×2.6mm 64T
Cutting Capacity	0°-90°: 70×270 mm 45°-90°: 70×185 mm 0°-45°: 48×270 mm 45°-45°: 48×185 mm
Weight	14.5Kg

PART LIST



1. Handle, Insulated Gripping Surface
2. Power Switch
3. Safety Lock Handle
4. Upper Guard
5. Saw Blade
6. Lower Guard
7. Main Fence
8. Turntable
9. Base
10. Table Insert
11. Turntable Lock Handle
12. Balancing Foot
13. Extending Bar
14. Laser Switch
15. LED Switch
16. Top Handle
17. Dust Bag
18. Lower Guard Cover
19. Bevel Angle Adjustment
20. Sliding Fence
21. Mounting Hole

 **WARNING!**

If any part is missing or damaged, do not plug in the mitre saw until you have replaced the missing or damaged parts.

GENERAL SAFETY RULES

 **WARNING!**

When using electric tools basic safety precautions should always be followed to reduce the risk of fire, electric shock and personal injury. Read all these instructions before attempting to operate your product. Save these instructions for future reference.

- 1) Keep work area clear. Cluttered areas and benches invite injuries.
- 2) Consider work area environment. Do not expose tools to rain. Do not use tools in damp or wet locations. Keep work area well lit. Do not use tools in the presence of flammable liquids or gases.
- 3) Guard against electric shock. Avoid body contact with earthed or grounded surfaces.
- 4) Keep other people away. Do not let others, especially children, not involved in the work touch the tool or the extension lead and keep them away from the work area.
- 5) Store idle tools. When not in use, tools should be stored in a dry locked-up place, out of reach of children.
- 6) Do not force the tool. It will do the job better and safer at the rate for which it was intended.
- 7) Use the right tool. Do not force small tools to do the job of a heavy duty tool. Do not use tools for purposes not intended; for example do not use circular saws to cut tree limbs or logs.
- 8) Dress properly. Do not wear loose clothing or jewellery, they can be caught in moving parts. Nonskid footwear is recommended when working outdoors. Wear protective hair covering to contain long hair.
- 9) Use protective equipment. Use safety glasses. Use face or dust mask if cutting operations create dust.
- 10) Connect dust extraction equipment. If devices are provided for the connection of dust extraction and collecting equipment, ensure these are connected and properly used.
- 11) Do not abuse the cable. Never pull the cable to disconnect it from the socket. Keep the cord away from heat, oil and sharp edge.
- 12) Secure work. Where possible use clamps or a vice to hold the work. It's safer than using your hand.
- 13) Don't overreach. Keep proper footing and balance at all time.
- 14) Maintain tools with care. Keep cutting tools sharp and clean for better and safer performance. Follow instructions for lubricating and changing accessories. Inspect tool cords periodically and if damaged have them repaired by an authorized service facility. Inspect extension cords periodically and replace if damaged.

Keep handles dry, clean and free from oil and grease.

15) Disconnect tools. When not in use, before servicing and when changing accessories such as blades, bits, cutters, disconnect tools from the power supply.

16) Remove adjusting keys and wrenches. Form the habit of checking to see that keys and adjusting wrenches are removed from the tool before turning it on.

17) Avoid unintentional starting. Ensure switch is in “off” position when plugging in.

18) Use outdoor extension leads. When the tool is used outdoors, use only extension leads intended for outdoor use and so marked.

19) Stay alert. Watch what you are doing, use common sense and do not operate the tool when you are tired.

20) Check damaged parts. Before further use of the tool, it should be carefully checked to determine that it will operate properly and perform its intended function. Check the alignment of moving parts, binding of moving parts, breakage of parts, mounting and any other conditions that may affect its operation. A guard or other part that is damaged should be properly repaired or replaced by an authorized service centre unless otherwise indicated in this instruction manual. Do not use the tool if the switch does not turn it on and off.

 **WARNING!**

The use of any accessory or attachment other than one recommended in this instruction manual may present a risk of personal injury.

21) Have your tool repaired by a qualified person. This electric tool complies with the relevant safety rules. Repairs should only be carried out by a qualified person using original spare parts, otherwise this may result in considerable danger to the user.

22) Through poor conditions of the electrical mains, shortly voltage drops can appear when starting the equipment. This can influence other equipment (e.g. blinking of a lamp). If the mains-impedance $z_{max} < 0.34$ Ohm, such disturbances are not expected.

- 23) Do not use saw blades manufactured from high speed steel.
- 24) Keep the floor area around the machine level, well maintained and free of loose material e.g. chips and cutoffs.
- 25) Use correctly sharpened saw blades. Observe the maximum speed marked on the saw blade. Ensure that the machine is always fixed to a bench, whenever possible.

ADDITIONAL SAFETY RULES FOR MITRE SAWS

- 1) This saw is recommended for cutting wood, non-ferrous material and plastic only.

NOTE:

The TCG blade comes with this product is not suitable for cutting metals.

- 2) Select saw blades in relation to the material to be cut and only use blades that are recommended by the manufacturer. Do not use HSS (High Speed Steel) blades or any other blade that does not conform to EN847 1. Damaged, warped or deformed blades should not be used.
- 3) Do not use the saw without the guards in position, in good working order and properly maintained.
- 4) Replace the table insert when worn.
- 5) Connect your mitre saw to a dust collecting device when sawing.
- 6) Check the maximum depth of cut.
- 7) When sawing long work pieces, always use additional supports and clamping devices.
- 8) Always wear ear protection, safety glasses or goggles and a breathing mask.
- 9) The operator must be adequately trained in the operation of mitre saws and their components.
- 10) Wear suitable personal protective equipment when necessary, this could include:
 - hearing protection to reduce the risk of induced hearing loss;
 - eye protection;
 - respiratory protection to reduce the risk of inhalation of harmful dust;

- gloves for handling saw blades (saw blades shall be carried in a holder wherever practicable) and rough material.

▲ WARNING!

- Ensure that the arm is securely fixed when bevelling;
 - Keep the floor area around the machine level, well maintained and free of loose materials e.g. chips and cut-offs;
 - Use correctly sharpened saw blades.
 - Observe the maximum speed marked on the saw blade;
 - When fitted with laser, no exchange with different type of laser is permitted. Repairs shall only be carried out by the laser manufacturer or an authorised agent. Refrain from removing any cut-offs or other parts of the workpiece from the cutting area whilst the machine is running and the saw head is not in the rest position;
 - Ensure that the machine is always fixed to a bench, whenever possible.
- 11) Make sure there is adequate lighting provision for your work area.
 - 12) The laser fitted onto this mitre saw is only designed for this saw. The fitting of any external, additional or different type of laser is not permitted. Repairs should only be carried out by authorised repair agents.
 - 13) Refrain from removing any cut-offs or other parts of the workpiece from the cutting area whilst the machine is running and the saw head is not the rest position.
 - 14) Never stand on this tool as damage to saw or serious injuries could result.
 - 15) Never use the mitre saw near flammable liquids, vapors, or gases.
 - 16) Remove all nails that may be in the workpiece to prevent sparking that could cause a fire.
 - 17) To avoid fire or toxic reaction, never use gasoline, acetone, lacquer thinner or similar highly volatile solvents to clean the mitre saw.
 - 18) Keep the saw with proper footing on a table to decrease noise and vibration.
 - 19) Always use the designated carrying handle for transportation.
 - 20) Never use the mitre saw to make mitre cutting, bevel cutting or compound cutting on metals.



Wear safety goggles, Wear ear protection, Wear a breathing mask.



Read and understand instruction manual to reduce the risk of injury, user and all bystanders must read and understand instruction manual before using this product.



Keep hands away from blade: Failure to keep your hands away from the blade will result in serious personal injury.



WARNING!

Noise can be a health hazard. When the noise level exceeds 80 dB(A), be sure to wear ear protection.

ENVIRONMENTAL PROTECTION



Waste electrical products should not be disposed of with household waste. Please recycle where facilities exist. Do not dispose of electrical appliances as unsorted municipal waste, use separate collection facilities. Contact your local government for information regarding the collection systems available. If electrical appliances are disposed of in landfills or dumps, hazardous substances can leak into the groundwater and get into the food chain, damaging your health and wellbeing. When replacing old appliances with new once, the retailer is legally obligated to take back your old appliance for disposal at least for free of charge.

Disposal of discarded material shall be in accordance with local environmental regulations.



NOTE:

To maintain product safety and reliability repairs, any other maintenance or adjustment should be performed by Ronix Service Authorized Service Centers, always using RONIX replacement parts.

Ronix[®]
Premium Quality