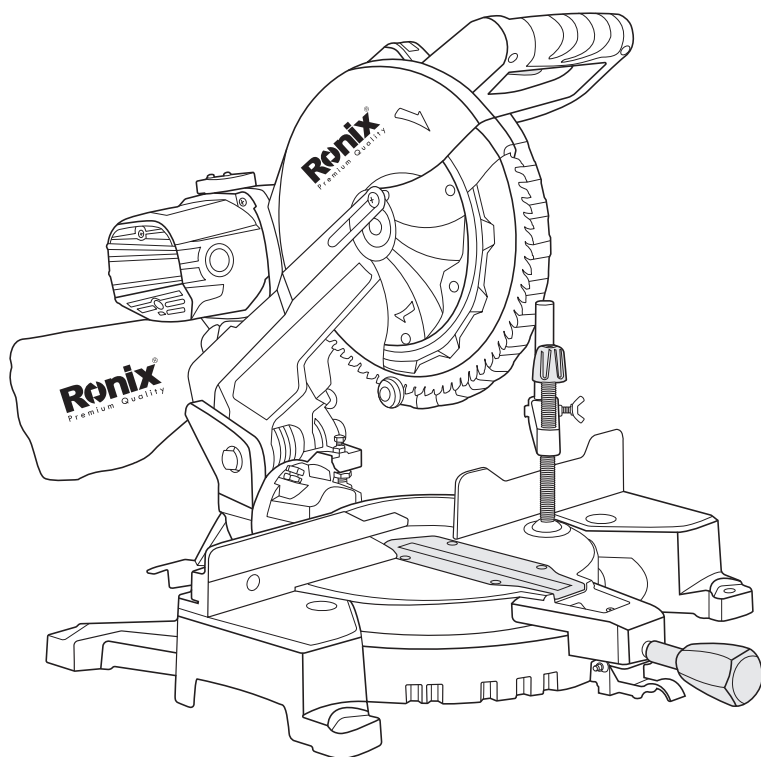


Ronix[®]

Premium Quality

MITRE SAW

5103

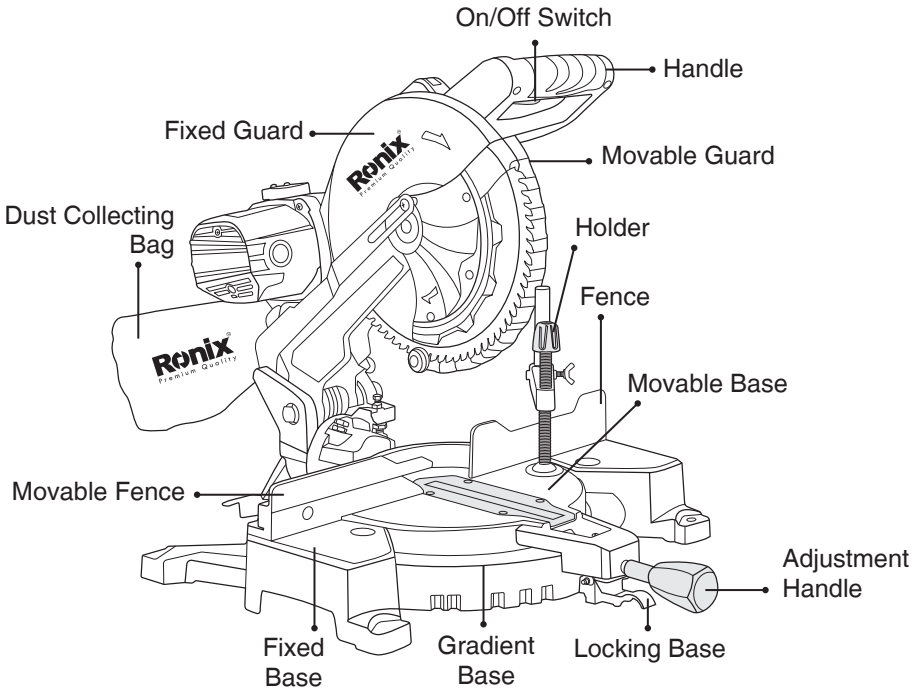


www.ronixtools.com

SPECIFICATION

Model	5103
Power	2000W
Voltage	220-240V
Frequency	50-60Hz
No-Load Speed	5300RPM
Disk Diameter	255mm
Max Cutting Speed at 0°/90°	70×140mm
Max Cutting Speed at 45°/90°	70×100mm
Max Cutting Speed at 0°/45°	42×140mm
Max Cutting Speed at 45°/45°	42×100mm
Weight	12kg
Supplied in	Ronix Color Box
Includes	Dust collection bag, Blade wrench, Extension table, Pair of carbon brushes, Stop plate, Handle, Hold down clamp

PART LIST



EXAMINE ALL PARTS CAREFULLY

⚠ WARNING!

If any part is missing or damaged, do not plug in the mitre saw until you have replaced the missing or damaged parts.

GENERAL SAFETY RULES

⚠ WARNING!

When using electric tools basic safety precautions should always be followed to reduce the risk of fire, electric shock and personal injury.



Read all these instructions before attempting to operate your product. Save these instructions for future reference.

- 1) Keep work area clear. Cluttered areas and benches invite injuries.
- 2) Consider work area environment. Do not expose tools to rain. Do not use tools in damp or wet locations. Keep work area well lit. Do not use tools in the presence of flammable liquids or gases.
- 3) Guard against electric shock. Avoid body contact with earthed or grounded surfaces.
- 4) Keep other people away. Do not let others, especially children, not involved in the work touch the tool or the extension lead and keep them away from the work area.
- 5) Store idle tools. When not in use, tools should be stored in a dry locked-up place, out of reach of children.
- 6) Do not force the tool. It will do the job better and safer at the rate for which it was intended.
- 7) Use the right tool. Do not force small tools to do the job of a heavy duty tool. Do not use tools for purposes not intended; for example do not use circular saws to cut tree limbs or logs.
- 8) Dress properly. Do not wear loose clothing or jewellery, they can be caught in moving parts. Non-skid footwear is recommended when working outdoors. Wear protective hair covering to contain long hair.
- 9) Use protective equipment. Use safety glasses. Use face or dust mask if cutting operations create dust.
- 10) Connect dust extraction equipment. If devices are provided for the connection of dust extraction and collecting equipment, ensure these are connected and properly used.
- 11) Do not abuse the cable. Never pull the cable to disconnect it from the socket. Keep the cord away from heat, oil and sharp edge.
- 12) Secure work. Where possible use clamps or a vice to hold the work. It's safer than using your hand.
- 13) Don't overreach. Keep proper footing and balance at all time.
- 14) Maintain tools with care. Keep cutting tools sharp and clean for better and safer performance. Follow instructions for lubricating and changing accessories.

Inspect tool cords periodically and if damaged have them repaired by an authorized service facility. Inspect extension cords periodically and replace if damaged. Keep handles dry, clean and free from oil and grease.

15) Disconnect tools. When not in use, before servicing and when changing accessories such as blades, bits, cutters, disconnect tools from the power supply.

16) Remove adjusting keys and wrenches. Form the habit of checking to see that keys and adjusting wrenches are removed from the tool before turning it on.

17) Avoid unintentional starting. Ensure switch is in “off” position when plugging in.

18) Use outdoor extension leads. When the tool is used outdoors, use only extension leads intended for outdoor use and so marked.

19) Stay alert. Watch what you are doing, use common sense and do not operate the tool when you are tired.

20) Check damaged parts. Before further use of the tool, it should be carefully checked to determine that it will operate properly and perform its intended function. Check the alignment of moving parts, binding of moving parts, breakage of parts, mounting and any other conditions that may affect its operation. A guard or other part that is damaged should be properly repaired or replaced by an authorized service centre unless otherwise indicated in this instruction manual. Do not use the tool if the switch does not turn it on and off.

 **WARNING!**

21) The use of any accessory or attachment other than one recommended in this instruction manual may present a risk of personal injury.

22) Have your tool repaired by a qualified person. This electric tool complies with the relevant safety rules. Repairs should only be carried out by a qualified person using original spare parts, otherwise this may result in considerable danger to the user.

■ ADDITIONAL SAFETY RULES FOR MITRE SAWS

1) This saw is recommended for cutting wood, non-ferrous metal and plastic only.

NOTE: The TCG blade comes with this product is not suitable for cutting metals.

2) Never use a saw blade which is not recommended in this owner's manual.

3) Do not use saw blades with High speed steel (HSS) or damaged or deformed.

4) Do not use the saw without guards in position, in good working order and properly maintained.

5) Replace the table insert when worn.

6) Use only saw blades recommended by the manufacturer and which conforms to EN847-1.

7) Connect your mitre saw to a dust collecting device (1. D. Ø32mm) when sawing.

8) Select saw blades in relation to the material to be cut.

9) Check the maximum depth of cut.

10) When sawing long work pieces, always use extra support to provide better support, and use clamps or other clamping devices.

11) Wear suitable personal protective equipment when necessary, this could include:

- hearing protection to reduce the risk of induced hearing loss;
- eye protection;
- respiratory protection to reduce the risk of inhalation of harmful dust;
- gloves for handling saw blades (saw blades shall be carried in a holder wherever practicable) and rough material.

WARNING!

Ensure that the arm is securely fixed when bevelling

Keep the floor area around the machine level, well maintained and free of loose materials e.g. chips and cut-offs.

Use correctly sharpened saw blades. Observe the maximum speed marked on the saw blade.

When fitted with laser, no exchange with different type of laser is permitted. Repairs shall only be carried out by the laser manufacturer or an authorised agent.

Refrain from removing any cut-offs or other parts of the workpiece from the cutting area whilst the machine is running and the saw head is not in the rest position.

Ensure that the machine is always fixed to a bench, whenever possible.

12) The operator is adequately trained in the use adjustment and operation of the machine.

13) Provide for adequate room lighting at your workplace or for adequate lighting of the immediate work area.

14) When fitted with laser no exchange with different type of laser is permitted. Repairs shall only be carried out by the laser manufacturer or an authorized agent.

15) Refrain from removing any cut-offs or other parts of the workpiece from the cutting area whilst the machine is running and the saw head is not the rest position.

16) Never stand on this tool. Serious injuries could occur when this tool tips over or when coming in contact with the saw blade.

17) Never use the mitre saw near flammable liquids, vapors, or gases.



18) Remove all nails that may be in the workpiece to prevent sparking that could cause a fire.


19) To avoid fire or toxic reaction, never use gasoline, naphtha acetone, lacquer thinner or similar highly volatile solvents to clean the mitre saw.


20) Keep the saw with proper footing on a table to decrease noise and vibration.

21) Always use the designated carrying handle for transportation.

SYMBOLS

V volts	 Class II Construction
A amperes	I ON
HZ hertz	O OFF
W watts	1-MIN revolutions per minute
MIN minutes alternating current	 Wear safety goggles Wear ear protection Wear a breathing mask
H hours	

 Read and understand instruction manual: to reduce the risk of injury, user and all bystanders must read and understand instruction manual before using this product.

 Keep hands away from blade: Failure to keep your hands away from the blade will result in serious personal injury

ENVIRONMENTAL PROTECTION

Waste electrical products should not be disposed of with household waste. Please recycle where facilities exist. Do not dispose of electrical appliances as unsorted municipal waste, use separate collection facilities. Contact your local government for information regarding the collection systems available. If electrical appliances are disposed of in landfills or dumps, hazardous substances can leak into the groundwater and get into the food chain, damaging your health and wellbeing. When replacing old appliances with new once, the retailer is legally obligated to take back your old appliance for disposal at least for free of charge. Disposal of discarded material shall be in accordance with local environmental regulations.

Ronix[®]
Premium Quality

www.ronixtools.com