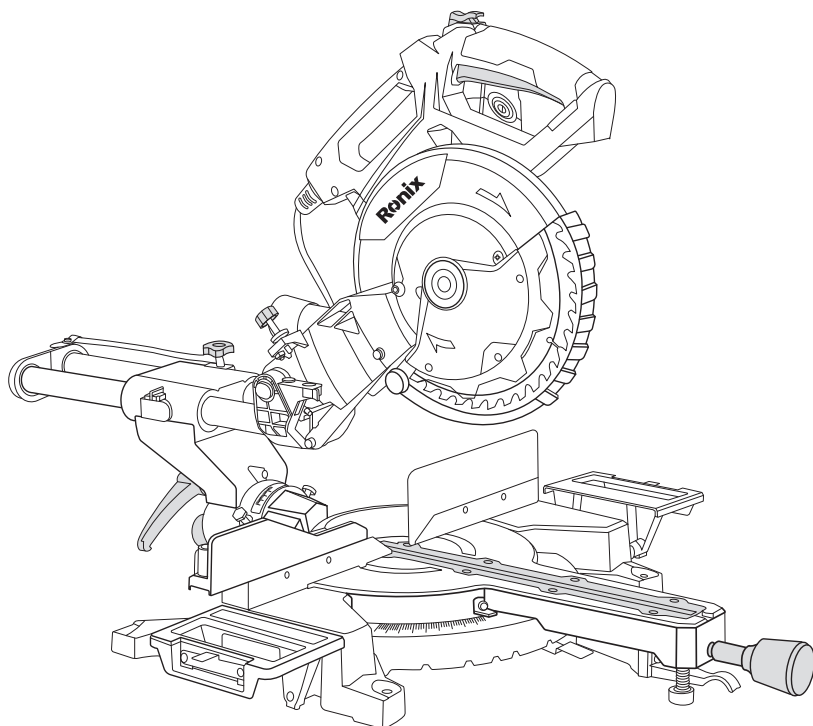


Ronix[®]

Premium Quality

255mm DUAL BEVEL SLIDING MITER SAW 5003

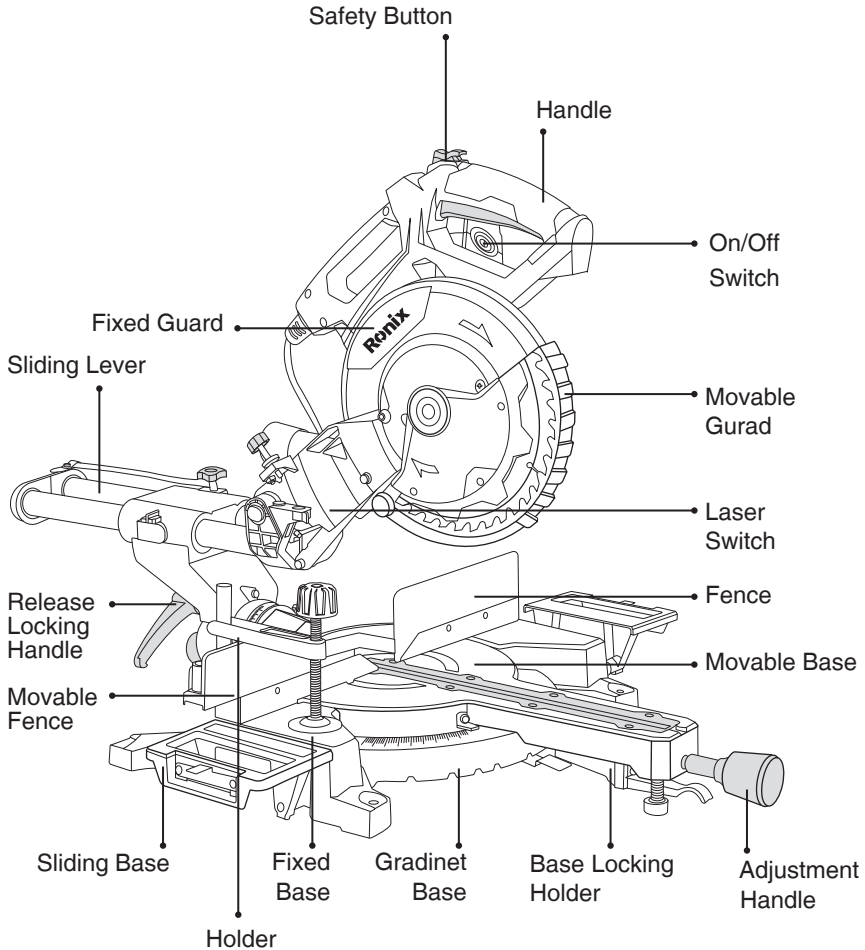


www.ronixtools.com

TECHNICAL SPECIFICATION

Model	5003
Power	1800W
Voltage	220-240V
Frequency	50-60Hz
No load speed	5000RPM
Disk diameter	255mm
Max Cutting Capacity at 0°/90°	310×89mm
Max Cutting Capacity at 45°/90°	218×89mm
Max Cutting Capacity at 0°/45°	310×48mm
Max Cutting Capacity at 45°/45°	218×48mm
Weight	19.2Kg
Includes	Wrench, Carbon Brush, Dust Bag, Vise Screw, Angle Handle, Extention Board.

PART LIST



Safety is a combination of common sense, staying alert and knowing how your compound miter saw works.

⚠ WARNING!

TO AVOID MISTAKES THAT COULD CAUSE SERIOUS INJURY, DO NOT PLUG IN THE SAW UNTIL THE FOLLOWING STEPS HAVE

BEEN READ AND UNDERSTOOD.

- 1- Read and become familiar with this entire instruction manual. learn the tool's applications, limitations, and possible hazards.
- 2- Avoid dangerous conditions. Do not use power tools in wet or damp areas or expose them to rain. Keep work areas well-lit.
- 3- Do not use power tools in the presence of flammable liquids or gases.
- 4- Always keep your work area clean, uncluttered and well-lit. Do not work on floor surfaces that are slippery with sawdust or wax.
- 5- Keep bystanders at a safe distance from the work area, especially when the tool is operating. never allow children near the tool.
- 6- Do not force the tool to do a job for which it was not designed.
- 7- Dress for safety. Do not wear loose clothing, gloves, neckties or jewelry (rings, watches) when operating the tool. they can get caught and draw you into moving parts always wear non slip footwear. And tie back long hair.
- 8- Wear face mask or dust. Sawing operation produces dust.
- 9- Always remove the power cord plug from the electrical outlet when making adjustments, changing parts, cleaning or working on the tool.
- 10- Keep guards in place and in working order.
- 11- Avoid accidental start - UPS. Make sure the power switch is in the OFF position before plugging in the power cord.
- 12- Remove adjusting tools. Always make sure all tools are removed from the saw before turning it on.
- 13- Never leave a running tool unattended. Turn the power switch to OFF Do not leave the tool until it has come to a complete stop.
- 14- Never stand on a tool. Serious injury could result if the tool tips or is accidentally hit. Do not store anything above or near the tool.
- 15- Do not overreach. Keep proper footing and balance at all time. Wear oil-resistant rubber-soled footwear. Keep the floor clear of oil, scrap, and other debris.
- 16- Maintenance tools Properly. always keep tools clean and in good working order. Follow instructions for lubricating and changing accessories.

17- Check for damaged parts. Check for alignment of moving parts, jamming, breakage, improper mounting, or any other conditions that may affect the tool's operation. any part that is damaged should be properly repaired or replaced before use.

18- Make the workshop childproof. Use padlocks, master switches and always remove starter keys.

19- Do not operate the tool if you are under the influence of drugs, alcohol or medication that could affect your ability to use the tool properly.



www.ronixtools.com