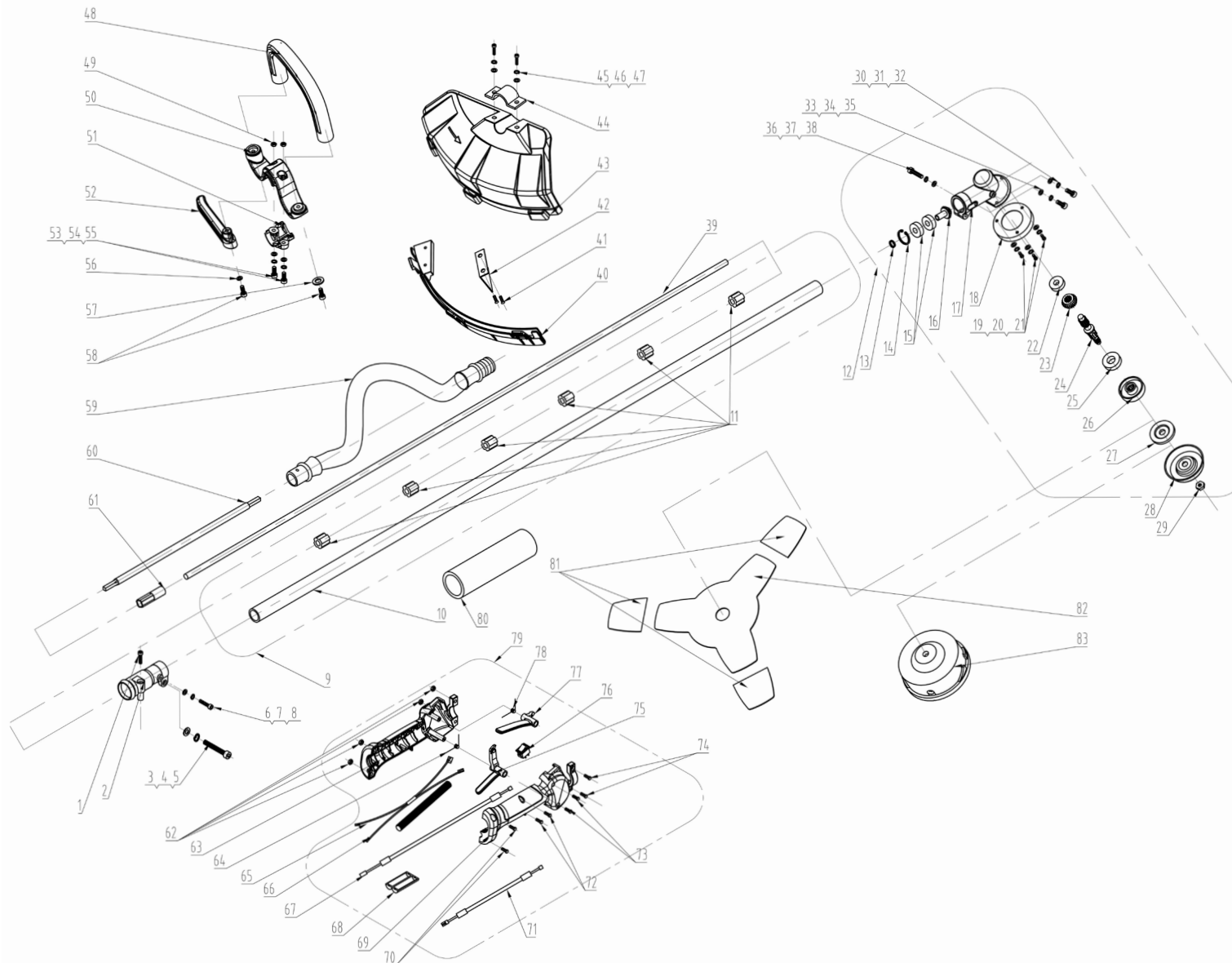


Number	Name
1	screw M5×20
2	screw M5×25
3	lock washer 5
4	plate washer 5
5	start grip
6	eyelet
7	start housing
8	start assembly
9	start rope
10	coil spring
11	start pulley
12	spring. Start
13	ratchet wheel
14	ST screw 4.8×19
15	plate washer 5×16×1
16	starter gasket
17	start reel
18	plate washer 8
19	OIL-SEAL 12×22×7
20	crank case RH side
21	gasket \ Crank case
22	ball bearing 6202
23	crank shaft ass'y
24	key 3×5×13
25	bearing $\Phi 10 \times 13 \times 16$
26	circlip \ Piston ring
27	piston pin
28	piston
29	piston ring
30	gasket \ Cylinder
31	cylinder

Number	Name
32	screw M5×20 \ Cylinder
33	lock washer 5
34	plate washer 5
35	Spark Plug
36	muffler cover
37	top housing
38	wire
39	Spark Plug cover
40	screw M5x25/ Ignition
41	lock washer 5
42	plate washer 5
43	ignition
44	pin Φ5×10
45	crank case LH side
46	screw M5x30
47	lock washer 5
48	plate washer 5
49	OIL-SEAL 15×30×7
50	magneto rotor
51	flange nut M8
52	plate washer 8×16×1.5
53	clutch assemble
54	washer 10
55	bolt \ clutch
56	pin Φ5×10
57	fan cover
58	screw M5×25
59	lock washer 5
60	plate washer 5
61	clutch drum
62	circlip 35
63	ball bearing 6202-2z
64	circlip 15
65	clutch drum housing
66	screw M6×25

Number	Name
67	lock washer 6
68	plate washer Φ6×11×1
69	positioning bail
70	screw M6×55 . Muffler
71	lock washer 6
72	plate washer 6
73	screw M5x12 . Muffler
74	lock washer 5
75	plate washer 5
76	muffler
77	gasket . Muffler
78	screw M5x12
79	lock washer 5
80	plate washer 5
81	screw M4×14
82	lock washer 4
83	plate washer 4
84	gasket
85	admitting pipe
86	ST screw 3.5×9.5
87	stamping
88	screw M5x25
89	lock washer 5
90	plate washer 5
91	gasket . carburetor
92	carburetor
93	air box cover
94	spone
95	screw M5×45
96	lock washer 5
97	plate washer 5
98	air box base
99	air box assembly
100	fuel tank cover
101	rubber

Number	Name
102	anti-drop plate
103	fuel tank
104	rubber bump
105	fuel tank housing
106	screw M5×25 fuel tank
107	lock washer 5
108	plate washer 5
109	balancer
110	air tube
111	fuel tube
112	fuel tube
113	retainer . fuel tube
114	fuel hose circlip
115	filter fuel
116	back-pack harness
117	nut M10
118	rotation shaft
119	frame
120	plate washer
121	lock washer 10
122	nut M10



Number	Name
1	screw M6x30
2	connecting tube
3	screw M5x12
4	lock washer 5
5	plate washer 5
6	screw M5x25
7	lock washer 5
8	plate washer 5
9	straight shaft assembly
10	AL tubing
11	rubber\ shaft
12	gear box assembly
13	circlip 10
14	circlip 26
15	ball bearing 6000-2z
16	pinion
17	gear box
18	top guard
19	screw M5x8
20	lock washer 5
21	plate washer 5
22	bearing 6000-2z
23	gear
24	gear shaft
25	ball bearing 6002-2z
26	blade retainer
27	cap washer
28	bottom guard
29	flange nut left
30	screw M6x12

Number	Name
31	lock washer 6
32	plate washer 6
33	screw M6×12
34	lock washer 6
35	plate washer 6
36	screw M6×25
37	lock washer 6
38	plate washer 6
39	driver shaft
40	guard strip
41	ST screw 4.8×13
42	cutting blade
43	guard
44	clamp \ guard
45	screw M6×20
46	lock washer 6
47	plate washer 6
48	front handle
49	nut M5
50	handle base
51	clamp
52	bar
53	screw M5×25
54	lock washer 5
55	plate washer 5
56	plate washer 5
57	plate washer
58	ST screw 4.8×19
59	connecting hose
60	soft shaft
61	connecting sleeve
62	nut M5
63	plastic handle \ LH

Number	Name
64	spring \ trigger
65	wire cable A
66	wire cable B
67	throttle cable
68	connecting sleeve
69	plastic handle \ RH
70	screw M5×14
71	Engine throttle cable
72	ST screw 3.5×9.5
73	ST screw ST4.2×10
74	screw M5x14
75	trigger
76	switch
77	lock trigger
78	spring \ trigger
79	rubber handle
80	foam grip
81	blade cover
82	blade
83	string head assembly