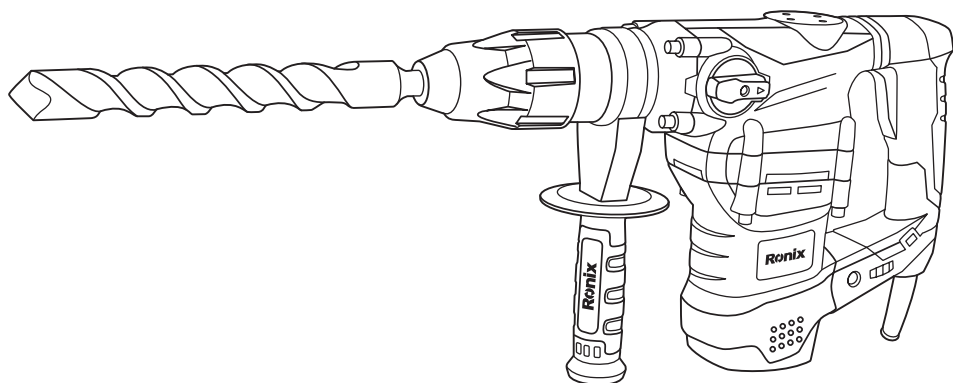


Ronix®

Premium Quality

ROTARY HAMMER 2705



www.ronixtools.com



PRODUCT SPECIFICATIONS

Model	2705
Power	1600W
Voltage	220-240V
Frequency	50-60Hz
Weight	7.3kg
Chuck Size	40mm
Chuck Type	SDS Max
Impact Energy	9J
Max No-load Speed	650 RPM
Max Capacity in Concrete	40mm
Max Impact Rate	3530 BPM
Supplied in	BMC
Includes	SDS max flat chisel 18×320mm, SDS max drill bit 22×320mm, Spanner, Extra carbon brush, Depth gauge, Grease tube

IMPORTANT:

Carefully read the instructions in this manual as well as the general safety instructions before using this tool.

Keep these manuals for further reference.

the tool should be connected to a power source connected to earth.

If your installation needs an extension, make sure it is equipment with an earth plug.



Wearing of protection goggles advised



Wearing of protection against nose advised



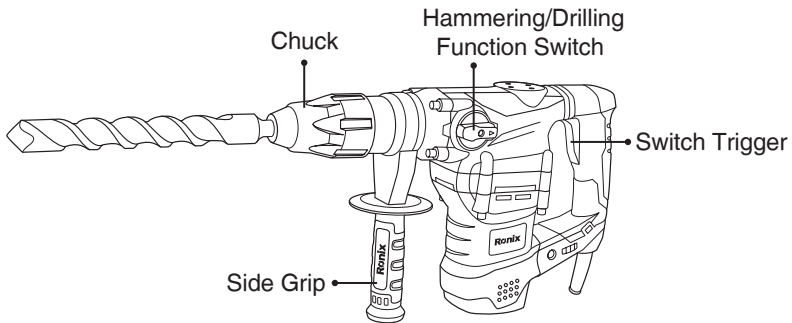
Wearing of protective shoes advised



Wearing of respiratory protection advised

This tool is designed to break, scale, drive...concrete or similar materials. For example the installation of tubes, cables washroom facilities, of draining, and other civil engineering works.

PART LIST



SAFETY INSTRUCTIONS



WARNING!

Read all safety warnings and all instructions. Failure to follow all warnings and instructions may result in electric shock, fire and/or serious injury.

Save all warnings and instructions for future reference.

The term “power tool” in the warnings refer to your mains operated (corded) power tool or battery operated (cordless) power tool.

■ WORK AREA

- Keep work area clean and well lit. Cluttered and dark areas invite accidents.
- Do not operate power tools in explosive atmospheres, such as in the

presence of flammable liquids, gases or dust. Power tools create sparks which may ignite the dust or fumes.

Keep children and bystanders away while operating a power tool. Distractions can cause you to lose control.

■ ELECTRICAL SAFETY

a) Power tool plugs must match the outlet. Never modify the plug in any way. Do not use any adapter plugs with earthed (grounded) power tools. Unmodified plugs and matching outlets will reduce risk of electric shock.

b) Avoid body contact with earthed or grounded surfaces such as pipes, radiators, ranges and refrigerators. There is an increased risk of electric shock if your body is earthed or grounded.

c) Do not expose power tools rain or wet conditions. Water entering a power tool will increase the risk of electric shock.

d) Do not abuse the cord. Never use the cord for carrying, pulling or unplugging the power tool. Keep cord away from heat, oil, sharp edges or moving parts. Damaged or entangled cords increase the risk of electric shock.

e) When operating a power tool outdoors, use an extension cord suitable for outdoor use.

Use of a cord suitable for outdoor use reduces the risk of electric shock.

f) If operating a power tools in a damp location is unavoidable, use a residual current device (RCD) protected supply. Use of RCD reduces the risk of electric shock.

■ PERSONAL SAFETY

a) Stay alert, watch what you are doing and use common sense medication. A moment of inattention while operating power tools may result in personal injury.

b) Use safety equipment. Always wear eye protection. Safety equipment such as dust mask, non-skid safety shoes, hard hat, or hearing protection used for appropriate conditions will reduce personal injuries.

c) Avoid accidental starting. Ensure the switch is in the off position before plugging in.

Carrying power tools with your finger on the switch or plugging in power tools that have the switch on invites accidents.

d) Remove any adjusting key or wrench before turning the power tool on. A wrench or a key left attached to a rotating part of the power tool may result in personal injury.

e) Do not overreach. Keep proper footing and balance at all times. This enables better control of the power tool in unexpected situations.

f) Dress properly. Do not wear loose clothing or jewellery. Keep your hair, clothing and gloves away from moving parts. Loose clothes, jewellery or long hair can be caught in moving parts.

g) If devices are provided for the connection of dust extraction and collection facilities, ensure these are connected and properly used. Use of these devices can reduce dust related hazards.

■ POWER TOOL USE AND CARE

a) Do not force the power tool. Use the correct power tool for your application. The correct power tool will do the job better and safer at the rate for which it was designed.

b) Do not (use the power tool if the switch does not turn it on and off. Any power tool that cannot be controlled with the switch is danger.

c) Disconnect the plug from the power source before making any adjustments, changing accessories, or storing power tools. Such preventive safety measures reduce the risk of starting the power tool accidentally.

d) Store idle power tools out of the reach of children and do not allow persons unfamiliar with the power tool or these instructions to operate the power tool. Power tools are dangerous in the hands of untrained users.

e) Maintain power tools. Check for misalignment or binding of moving parts, breakage of parts and any other condition that may affect the power tools operation. If damaged, have the power tool repaired before use. Many accidents are caused by poorly maintained power tools.

f) Keep cutting tools sharp and clean. Properly maintained cutting tools with sharp cutting edges are less likely to bind and are easier to control;

g) Use the power tool, accessories and tool bits etc., in accordance with these instructions and in the manner intended for the particular type of power tool, taking into account the working conditions and the work to be performed. Use of the power tool for operations different from intended could result in a hazardous situation.

■ SERVICE

Have your power tool serviced by a qualified repair person using only identical replacement parts. This will ensure that the safety of the power tool is maintained.

■ SPECIAL WARNING FOR ELECTRIC HAMMER

- Wear ear protection. Exposure to noise can cause hearing loss.
- Use auxiliary handle with the tool. Loss of control can cause personal injury.

Additional safety instructions for your hammer drill

- Wear protective goggles.

When working, sparks or flying splinters, shavings, and dust can cause loss of vision.

WARNING!

To reduce the risk of injury, user must read instruction manual”

ENVIRONMENTAL PROTECTION

Waste electrical products should not be disposed of with house hold waste Please recycle where facilities exist. Check with your local Authority or retailer for recycling advice.

ATTENTION!

Through poor conditions of the electrical MAINS, shortly voltage drops can appear when starting the EQUIPMENT. This can influence other equipment

(eg. Blinking of a lamp). If the MAINS-IMPEDANCE $Z_{max} < 0.195 \text{ OHM}$, such disturbances are not expected. (In case of need, you may contact your local supply authority for further information).

ACCESSORIES STANDARD ACCESSORIES

- 1) Pointed Shovel 18X320mm
- 2) Drill Bit 18X320mm

APPLICATIONS

Crushing concrete, chipping, digging, and squaring. (Application Examples)
Installation of piping and wiring, sanitary facility installation, machinery installation, water supply and drainage work, interior jobs, harbor facilities and other civil engineering work.

PRIOR TO OPERATION

- 1) Power source

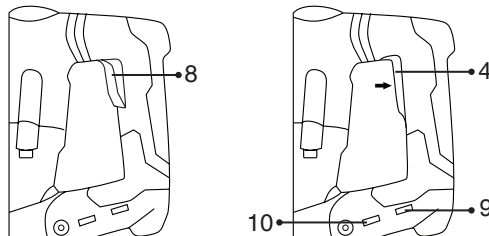
Ensure that the power source to be utilized conforms to the power requirements specified on the product nameplate.

- 2) Grounding

This tool should be grounded while in use to protect the operator from electric shock. The tool is equipped with a three conductor cord and grounding type plug to fit the proper grounding type receptacle. The green or yellow) wire to a live terminal.

- 3) Power switch (5)

Ensure that the power switch in the OFF position. If the plug is connected to a power receptacle while the power tool while start operating immediately, inviting serious accident.



⚠ NOTICE:

A.3- 1(8) picture On-Off switch, When the A.3-2(9) indicator light show the power tools connected to the power,can start work. A.3-2(10) variable speed can control the hammer and drill speed.

4) Extensional cord

When the work area is removed form the power source, use an extension cord of sufficient thickness and rated capacity.

The extension cord should be kept as short as practicable.

5) Mounting a tool

⚠ NOTE:

When handling bull point, cold chisel and other accessories, standard tools are recommended for better operation.

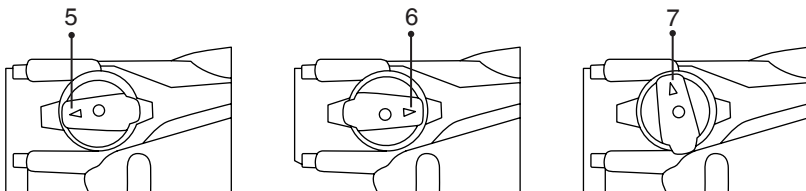
■ HANDLE ATTACHMENT (1)

For reasons of safe, only use the hammer drill with handle attachment.

you will be able to obtain a safe body position when work by rotating the handle attachment in an anticlockwise.

■ SAFETY CLUTCH (2)

The safety clutch is activated if the drill becomes jammed or caught. This prevents the machine from being wrenched from the operator's hand.



⚠ NOTICE:

FOUNCTION FOR THREE PICTURES

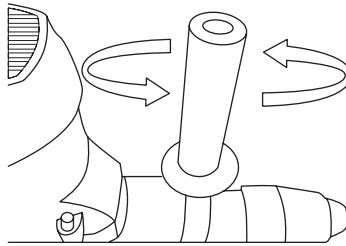
A.4-1: Only Hammer

A.4-2:Hammer &drill

A.4-3: Spindle Lock

■ AUXILIARY HANDLE (3)

The machine must not be used without auxiliary handle and must always be held with both hands. Loose handle by rotating counter-clockwise rotate. Auxiliary handle adjust the working position. The handle must be re-tightened.



■ CHANGING THE TOOL (SDS-MAX) (4)

⚠ NOTE:

It is a characteristic of the system that product a radial eccentricity when the machine is running at no-load speed. This does not affect the accuracy of the drilled hole as the bit is automatically centered during drilling.

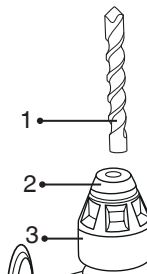
The tool holder is maintenance-free. The dust cap prevents drilling dust from entering the machine during operation.

Inserting tools Clean and lightly grease tool shank before inserting (A.2)

Twist the tool into the holder and push it in until it engages. The tool shank locks in position automatically. Pull the tool to check if it is locked correctly.

■ REMOVING THE TOOL (A.2)

Push back the locking sleeve of the tool holder and remove the tool.



■ HOW TO USE THE HAMMER

- 1) After placing the tip of in the base hole. Switch ON. In some cases. It is necessary to punch the up of the bit against the crushing position forcibly in order to begin the striking stokes. This is not due to malfunction of the tool. It means that the safe guard mechanism against no-load striking is working.
- 2) By utilizing the weight of the machine and by firmly holding the hammer with both hands, one can effectively control the subsequent recoil motion. Proceed at a moderate mark-rate, the use of too much force will impair efficiency.

CAUTION:

Sometimes the tool does not begin the striking stroke even when the motor rotates because the oil has become thick. If the tool is used at low temperatures or if it is used running in for five minutes in order too warm it up.

■ OIL FEEDING (4)

CAUTION:

Prior to oil feeding, always disconnect the plug from the power supply receptacle. Since an oil chamber is built in this Electric Hammer, it can be used for approximately 20days without supplying lubricating oil, assuming that the hammer is used continuously 3~4 hours daily.

Feeding oil into the oil tank as described below before using this hammer.

- 1) Just before no oil is visible in the oil gauge windows when the device is held upright feed oil to warm it up.
- 2) Before feeding oil, use the wrench to remove the oil gauge. Be careful not to lose the rubber packing attached below the oil gauge.
- 3) Check the oil level once daily, confirming that oil is filled.
- 4) After feeding oil, securely clamp the oil gauge.

MAINTENANCE AND INSPECTION

- 1) Inspecting the tool

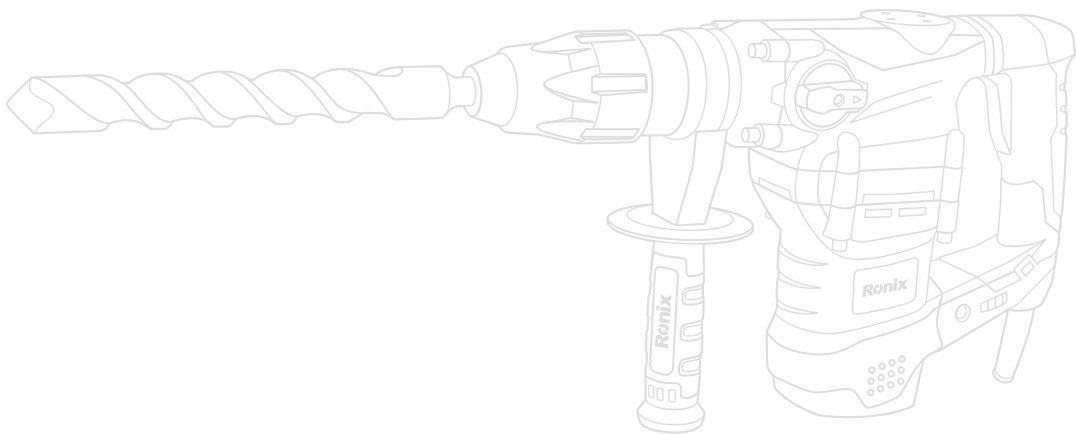
Since use of a dull tool will cause motor malfunctioning and degraded efficiency, when it or replace with a new one without delay when abrasion is noted.

2) Inspecting the mounting screws Regularly inspect all mounting screws and ensure that they are properly tightened. Should any of the screws be loose retighten them immediately. Result in serious hazard.

3) Maintenance of the motor The motor unit winding is the very “heart” of the power tool. Exercise due care to ensure the winding does not become damaged and/or wet with oil.

 **NOTE:**

Due to continuing program of research and development the specifications herein are subject to change without prior notice.



Ronix[®]

Premium Quality