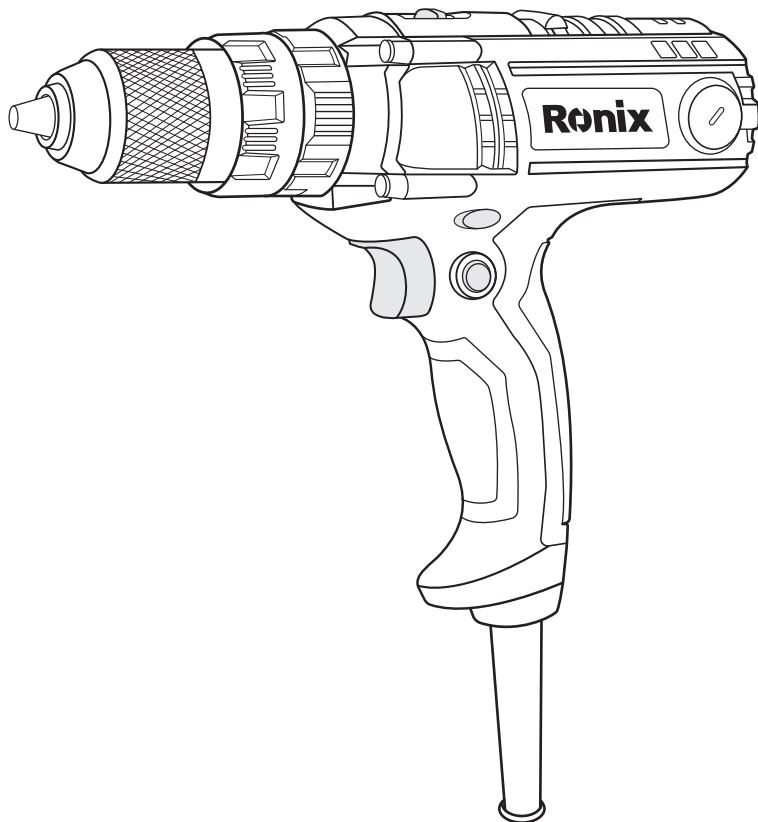


Ronix[®]
Premium Quality

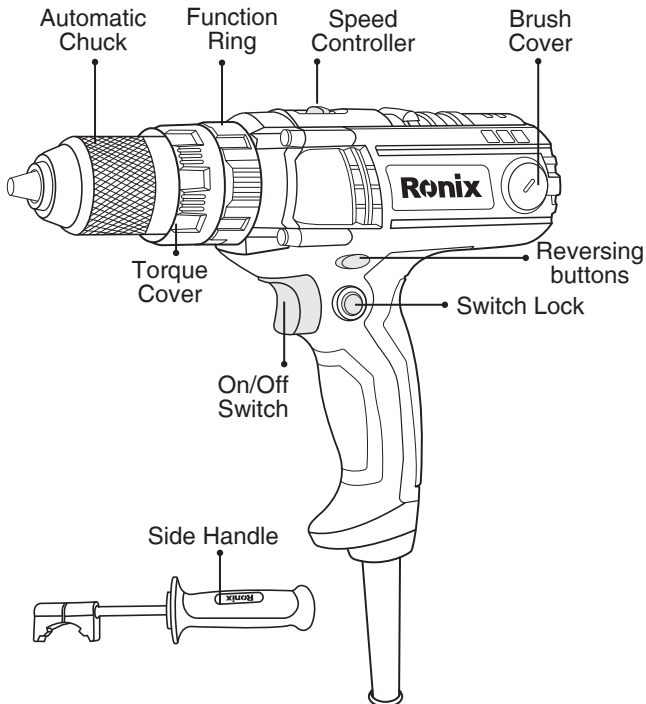
**INDUSTRIAL IMPACT SCREWDRIVER
2520**



TECHNICAL SPECIFICATIONS

Model	2520
Voltage	220-240V
Frequency	50-60Hz
Power	450W
No load Speed	0-480/0-1800r/min
Chuck Capacity	13mm
Capacity in Wood	38mm
Capacity in Steel	13mm
Net Weight	2.56Kg
Accessories	1 pair of Carbon brush, 1 Side Handle

PART LIST



GENERAL SAFETY INSTRUCTIONS

WARNING!

To reduce the risk of injury user must read instruction manual.



Read all safety warnings and all instructions failure to follow all warning and instruction may result in election shock fire and/or serious injury.

Save all warning and instructions for future reference The term “power tool” in the warning refers to your mains operated (corded) power tool or battery operated (cordless) power tools.

■ **WORK AREA**

- keep your work area clean and well lit. Cluttered benches and dark areas invite accidents.
- Do not operate power tools in explosive atmospheres such as in the presence of flammable liquids gases or dust. power tools create sparks which may ignite the dust or fumes.
- keep children and bystanders away while operating a power tool. distractions can cause you to lose control.

■ **ELECTRICAL SAFETY**

- power tool plugs must match the outlet. Never modify the plug in any way. Do not use any adapter plugs with earthed (grounded) power tools. Unmodified plugs and matching outlets will reduce risk of electric shock.
- Avoid body contact with grounded surfaces such as pipes radiators ranges and refrigerators. There is an increased risk of electric shock if your body is grounded.
- Don't expose power tools to rain or wet conditions. Water entering a power tool will increase the risk of electric shock.
- Do not abuse the cord. Never use the cord for carrying pulling or unplugging the power tool. keep cord away from heat oil sharp edges or moving parts.
- damaged or entangled cords increase the risk of electric shock.

- when operating a power tool outdoors use an outdoor extension cord marked “W-A” or “W”. these cords are rated for outdoor use and reduce the risk of electric shock.
- If operating a power tools in a damp location is unavoidable use a residual current device (RCD) protected supply. Use of an RCD reduces the risk of electric shock.

■ PERSONAL SAFETY

- Stay alert watch what you are doing and use common sense when operating a power tool. Do not use tool while tired or under the influence of drugs alcohol or medication.
A moment of inattention while operating power tools may result in serious personal injury.
- Use personal equipment. Always wear eye protection. safety equipment such as dust mask non-skid safety shoes hard hat or hearing protection used for appropriate conditions will reduce personal injuries.
- Prevent unintentional starting. Ensure the switch is in the off-position before connecting to power source picking up or carrying the tool. carrying power tools with your finger on the switch or energizing power tools that have the switch on invites accidents.
- Remove any adjusting key or wrench before turning the power tool on. A wrench or a key left attached to a rotating part of the power tool may result in personal injury.
- Do not overreach. keep proper footing and balance at all times. Proper footing and balance enables better control of the tool in unexpected situations.
- Dress properly. Do not wear loose clothing or jewellery. Keep your hair clothing and gloves away from moving parts. Loose clothes, jewellery or long hair can be caught in moving parts.
- If devices are provided for the connection of dust extraction and collection facilities ensure these are connected and properly used. Use of dust collection can reduce dust-related hazards.

■ POWER TOOL USE AND CARE

- Do not force the power tool. Use the correct power tool for your application. The correct power tool will do the job better and safer at the rate for which it is designed.
- Do not use the power tool if the switch does not turn it on and off. Any power tool that cannot be controlled with the switch is dangerous and must be repaired.
- Disconnect the plug from the power source before making any adjustments changing accessories or storing the tool. such preventive safety measures reduce the risk of starting the tool accidentally.
- Store idle power tools out of the reach of children and do not allow persons unfamiliar with the power tool or these instructions to operate the power tool. Power tools are dangerous in the hands of untrained users.
- Maintain power tools. check for misalignment or binding of moving parts breakage of parts and any other condition that may affect the power tool repaired before use. Many accidents are caused by poorly maintained power tools.
- Keep cutting tools sharp and clean. properly maintained cutting tools which have sharp cutting edges are less likely to bind and are easier to control.
- Use the power tools accessories and tool bits etc. in accordance with these instructions and in the manner intended for the particular type of power tools taking into account the working conditions and the work to be performed. use of the power tools for different operation could result in a hazardous situation.

■ SERVICE

- Have your power tool serviced by a qualified repair person using only identical replacement parts. this will ensure that safety of the power tools is maintained.

■ SPECIAL SAFETY WARNINGS

- 1) Wear ear protectors with impact drills. Exposure to noise can cause hearing loss.

- 2) Use auxiliary handles supplied with the tools. loss of control can cause personal injury.
- 3) Hold power tool by insulated gripping surfaces performing an operation with the cutting accessory may contact hidden wiring or its cord. Cutting accessory contacting a “live” wire may make exposed metal parts of the power tool “live” and could give the operator an electric shock.

ADDITIONAL SAFETY REGULATIONS

WARNING!

Remove the plug from socket before carrying out any installation adjustment servicing or maintenance.

The manual should indicate the content as follow.

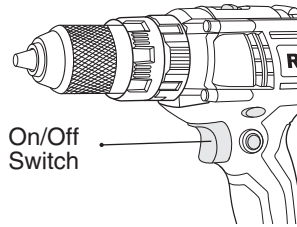
- 1) stay alert and use common sense when operating the tool. o not use the tool when tired or under influence of drug alcohol or medicine.
- 2) Never put fingers on the switch button while moving the tools to avoid unintentional starting of the tool.
- 3) Ensure assemblies are fixed properly and securely before operate the tool. Turn on the switch and let the tool work for 30 second in a safe position. Stop immediately if considerable vibration or other defects and have it repaired are detected have and repaired.

Wear hearing protection while operating the power tools. The declared vibration total value has been measured in accordance with a standard test method and may be used for companing one tool with another.

The declared vibration total value may also be used in a preliminary assessment of exposure.

WARNING!

The vibration emission during actual use of the power tool can differ from the declared total value depending on the ways in which the tools is used. There is the need to identify safety measures to protect the operator that are based on an estimation of exposure in the actual condition of use (taking account of all parts of the operating cycle such as the



times when the tool is switched off and when it is running idle in addition to the trigger time).

ASSEMBLY

■ CHANGING THE TOOL

Before any work on the power tool (e.g. maintenance tool change etc.) as well as during transport and storage set the rotational direction switch to the center position. Unintentional actuation of the on/off switch can lead to injuries.

The drill spindle is locked when the ON/OFF switch is not pressed. This makes quick convenient and easy changing of the tool in the drill chuck possible.

Open the keyless chuck by turning in rotation direction until the tool can be inserted then insert the tool.

Firmly tighten the collar of the keyless chuck by hand in rotation direction.

■ REMOVING THE SECURING SCREW

The keyless chuck is secured with a securing screw against unintentional loosening from the drill spindle. Completely open the keyless chuck and unscrew the securing screw in rotation direction.

Please note that the securing screw has a left-hand thread.

■ REMOVING THE DRILL CHUCK

Clamp the short end of a hex key into the keyless chuck. Place the machine on a stable surface (e.g. a workbench). Hold the machine firmly and loosen the keyless chuck by turning the hex key in rotation direction.

Loosen a tight-seated keyless chuck by giving the long end of the hex

key a light blow. Remove the hex key from the keyless chuck and completely unscrew the keyless chuck.

■ MOUNTING THE DRILL CHUCK

The drill chuck must be tightened with a tightening torque of approx. 20Nm. Screw the securing screw in counter lock-wise direction into the opened keyless chuck. Then; Tightening torque approx. 4-5Nm. Always use a new securing screw, as the threads are covered with a thread-locking compound that loses its effect after multiple usage.

■ DUST/CHIP EXTRACTION

Dusts from materials such as lead-containing coatings, some wood types, minerals and metal can be harmful to one's health. Touching or breathing-in the dusts can cause allergic reactions and/or lead to respiratory infections of the user or bystanders.

Certain dusts, such as oak or beech dust, are considered as carcinogenic, especially in connection with wood-treatment additives (chromate, wood preservative). Materials containing asbestos may only be worked by specialist.

Provide for good ventilation of the working place.

It is recommended to wear a p2 filter-class respirator.

Observe the relevant regulations in your country for the materials to be worked.

OPERATING

Never cover the air vents since they must always be open for proper motor cooling.

STARTING OPERATION

■ SWITCH ON AND OFF

This tool is started and stopped by pressing and releasing the trigger

on/off switch.

The speed can be adjusted in the high gear or in the low gear, by controlling the trigger-pressing force.

For continuity operation, press the lock button while pressing the trigger. Press again to release the lock.

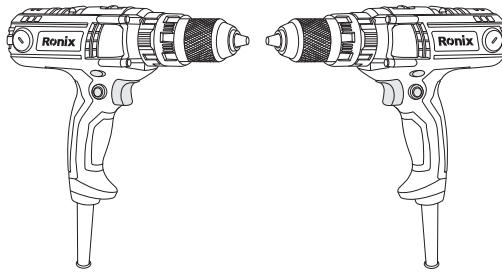
■ REVERSING THE ROTATIONAL DIRECTION

The F/R lever is used to reverse the rotation of the machine.

However, this is not possible with the on/off switch.

Right rotation: for drilling and driving in screws, push the F/R lever left stop.

Left rotation: for loosening and unscrewing screws and nuts, press the F/R lever through to the right stop.



SETTING THE TORQUE

with the clutch cap the required torque setting can be preselected in (18+1) steps. At the correct setting, the insert tool is stopped as soon as the screws are screwed flush into the material or when the adjusted torque is reached.

The safety clutch is deactivated in the position, e.g. for drilling.

Select a higher setting or switch to the symbol when unscrewing screws.

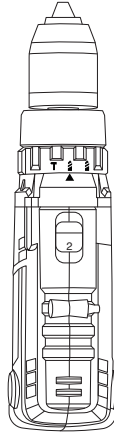
■ ADJUSTING THE SPEED

The speed of the switch-on power tool can be variably adjusted on how far the on/off switch is pressed.

It is quipped with fully automatic spindle locking (auto-lock).

When the on/off switch is not pressed, the drill spindle and thus the holder are locked too.

This enables screws to be screwed in, allows for the tool to be used as a screwdriver.



■ RUN-ON BRAKE

when the on/off switch is released, the chuck brakes to a stop, thus preventing the run-on of the tool.

When the on/off switch is released, the chuck brakes to a stop, thus preventing the run-on of the tool.

When driving in screws, wait until the screw is screwed in flush with the material and then release the on/off switch.

By doing so, the head of the screw does not penetrate into the material.

Working instructions.

Apply the power tool to the screw only it is switched off.

Rotating tool inserts can slip off.

■ TIPS

After longer period of working at low speed. Allow the machine to down by running it for approx.

Minutes at maximum speed with no load.

For drilling in metal, use only perfectly sharpened hss drill bits (hss=high speed steel). before screwing larger, longer screws into hard materials,

it is advisable to predrill a pilot hole with the core diameter of the thread to approx. 2/3 of the screw length.

Light pressure on the on/off switch results in a low rotational speed. Further pressure on the switch results in an increase in speed.

Even when the power tool is used as prescribed it is not possible to eliminate all residual risk factors.

The following hazards may arise in connection with the power tool's construction and design:

- 1) Damage to lungs if an effective dust mask is not worn.
- 2) Damage to health resulting from vibration emission if the power tool is being used over longer period of time or not adequately managed and properly maintained.

 **WARNING!**

This power tool produces an electromagnetic field during operation. This field may under some circumstances interfere with active or passive medical implants. To reduce the risk of serious or fatal injury, we recommend persons with medical implants to consult their physician and the medical implant manufacturer before operating this machine.

 **WARNING!**

To ensure safety and reliability, all repairs should be performed by an authorized service center or other qualified service organization.

Waste electrical products should not be disposed of with household waste.

Please recycle where facilities exist. check with your local authority or retailer for recycling advice.

Ronix[®]
Premium Quality