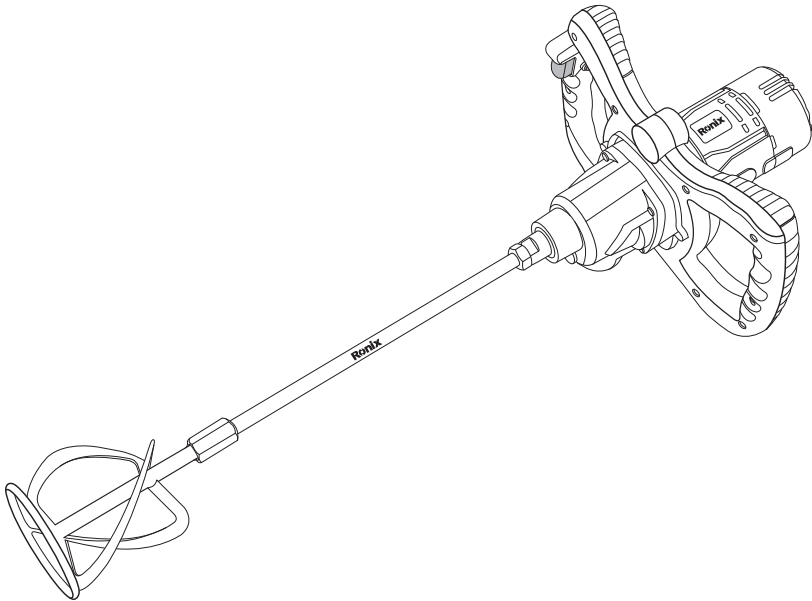


# Ronix<sup>®</sup>

Premium Quality

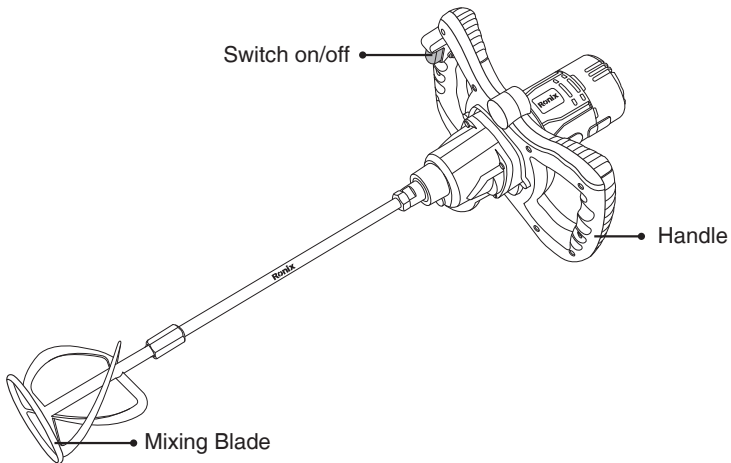
## 2 SPEED ELECTRIC MIXER 2410



## SPECIFICATIONS

Model	2410
Power	1300W
Voltage	220-240V
Weight	4.5KG
Frequency	50-60Hz
Paddle Diameter	120mm
Paddle	Single
Tool Connection Size	M14
Supplied in	Ronix color box
No Loads of Speed	"I : 200-500 RPM , II : 280-700 RPM"
Includes	2Wrenches , 1 Paddle , a Pair of carbon brushes


## PARTS LIST




## GENERAL POWER TOOL SAFETY WARNINGS

### NOTE

In order to achieve the best performance of your product, please read this instruction manual carefully before using, and keep it for future reference.

 This sign means the existence of dangerous voltage at the inside of the unit, which states a risk of electric shock.

 This sign means that there are important instructions of operation and handling in the manual that comes with this device.

### ■ GENERAL POWER TOOL SAFETY WARNINGS

#### WARNING!

- Read all safety warnings and all instructions. Failure to follow the warnings and instructions may result in electric shock, fire and or serious injury.
- Save all warnings and instructions for future reference.
- The term “power tool” in the warnings refers to your mains-operated (corded) power tools or battery operated (cordless) power tool.

#### ■ WORK AREA SAFETY

- Keep work area clean and well lit. Cluttered or dark areas invite accidents.
- Don't operate power tools in explosive atmospheres, such as in the presence of flammable liquids, gases or dust. Power tools create sparks which may ignite the dust or fumes.
- Keep children and bystanders away while operating a power tool. Distractions can cause you to lose control.

#### ■ ELECTRIC SAFETY

- Power tool plugs must match the outlet. Never modify the plug in any way. Don't use any adaptor plugs with earthed (grounded) power tools. Unmodified plugs and matching outlets will reduce risk of electric shock.
- Avoid body contact with earthed or grounded surfaces such as pipe, radiators, ranges and refrigerators. There is an increased risk of electric shock if your body is earthed or grounded.
- Don't expose power tools to rain or wet conditions. Water entering a power tool will increase the risk of electric shock.
- Don't abuse the cord. Never use the cord for carrying, pulling or unplugging the power tool. Keep cord away from heat, oil, sharp edges or moving parts. Damaged or entangled cords increased the risk of electric shock.
- When operating a power tool outdoors, use an extension cord suitable for outdoor use. Using a cord suitable for outdoor use will reduce the risk of electric shock.
- If operating a power tool in a damp location is unavoidable, use a residual current device (RCD) protected supply. Use of an RCD reduces the risk of electric shock.
- Use of power supply via a RCD with a rated residual current of 30mA or less is always recommended.

## ■ PERSONAL SAFETY

- Stay alert, watch what you are doing and use common sense when operating a power tool. Don't use a power tool while you are tired or under the influence of drugs, alcohol or medication. A moment of inattention while operating power tools may result in serious personal injury.
- Use personal protective equipment. Always wear eye protection. Protective equipment such as dust mask, non-skid safety shoes, hard hat, or hearing protection used for appropriate conditions will reduce personal injuries.
- Prevent unintentional starting. Ensure the switch is in the off-position

before connecting to power source and/or battery pack, picking up or carrying the tool. Carrying power tools with your finger on the switch or energizing power tools that have the switch on invites accidents.

- Remove any adjusting key or wrench before turning the power tool on. A wrench or a key left attached to a rotating part of the power tool may result in personal injury.

- Don't overreach. Keep proper footing and balance at all times. This enables better control of the power tool in unexpected situations.

- Dress properly. Don't wear loose clothing or jewelry. Keep your hair, clothing, and gloves away from moving parts. Loose cloths, jewelry or long hair can be caught in moving parts.

- If devices are provided for connection of dust extraction and collection facilities, ensure these are connected and properly used. Use of dust collection can reduce dust-related hazards.

collection can reduce dust-related hazards.

## ■ POWER TOOL USE AND CARE

- Don't force the power tool. Use the correct power tool for your application. The correct power tool will do the job better and safer at the rate for which it was designed.

- Don't use the power tool if the switch doesn't turn it on and off. Any power tool that cannot be controlled with the switch is dangerous and must be repaired.

- Disconnect the plug from the power source and/or the battery pack from the power tool before making any adjustments, changing accessories, or storing power tools. Such preventive safety measures reduce the risk of starting the power tool accidentally.

- Store idle power tools out of the reach of children and don't allow persons unfamiliar with power tool or these instructions to operate the power tool. Power tools are dangerous in the hands of untrained users.

- Maintain power tools. Check for misalignment or binding of moving parts, breakage of parts and any other condition that may affect the power tool's operation. If damaged, have the power tool repaired before use. Many

accidents are caused by poorly maintained power tools.

- Keep cutting tools sharp and clean. Properly maintained cutting tools with sharp cutting edges are less likely to bind and are easier to control.
- Use the power tool, accessories and tool bits etc. in accordance with the instruction, taking into account the working conditions and the work to be performed. Use of the power tool for operations different from those intended could result in a hazardous situation.
- Use the power tool, accessories and tool bits etc. in accordance with the instruction, taking into account the working conditions and the work to be performed. Use of the power tool for operations different from those intended could result in a hazardous situation.

## ■SERVICE

- Have your power tool serviced by qualified repair person using only identical replacement parts. This will ensure that the safety of power tool is maintained.
- Follow instruction for lubricating and changing accessories.
- Keep handles dry, clean and free from oil and grease

## **MIXER SAFETY WARNING :**

- Please Check the safety situation of machine when it is in operating.
- Operate machine only in the suitable working space.
- Keep other persons away from the working space.
- Operating the machine in the humid environment increase the risk of electric shock.
- Working places should have sufficient light.
- Check the power source/voltage must be same as showed on the machine label's!
- The power supply must be equipped with earth protecting.
- Strictly avoid applying extra load to the machine.
- Only use standard cable length and also when disconnecting the cable , be sure to take it out from the plug and disconnect it and DO NOT expose

the cable to heat or moisture.

- DO NOT use damaged cable.
- Disconnect the plug for maintenance , change the paddle and when do not using the machine
- DO NOT mix the material which is flammable.
- DO NOT use chemical solvents for cleaning the tools cause it will increase the risk of explosion.
- Usage of the machine in flammable environment or such area will increase the risk of explosion.
- DO NOT use the sliding or movable mixing drum!
- DO NOT start the mixer until the mixing tools is in the mixing drum or other drums!
- DO NOT run the machine idle.
- Please wear goggles and other safety equipment during working with the machine.
- Use only original spare parts for the machine maintenance

## **INSTRUCTION**

### **■ INTENDED USE**

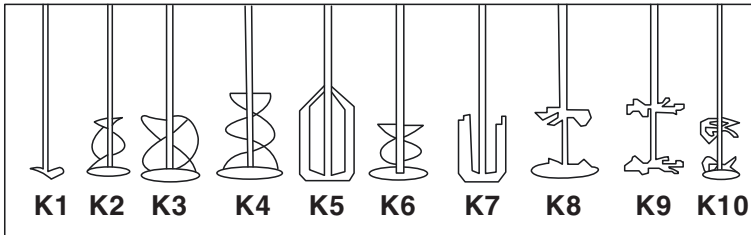
The mixer is a electrical power mixer, which fitted with double count- rotating mixing tool (single mixing tools also available). It is used for mixing building materials and chemical materials, for mixing even heavy materials quickly and thoroughly, especially for the difficult mixing materials, such as high density mortar, dried building materials,two or more kinds mixed materials. Different mixing tools are available for the mixer, and different speed meet the demand of different materials mixing.

### **■ ASSEMBLY**

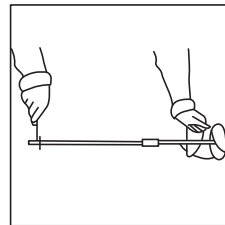
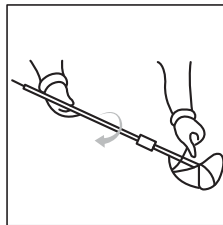
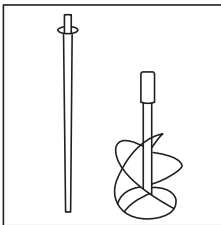
## **MIXING PADDLE**

For the mixer with single mixing tool, we supply K3 mixing tools as standard

fitting, K1-K10 mixing tools etc. is also available for special use, they are M14 screw connection.



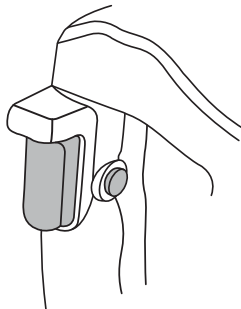
- Take out the two parts of the mixing tools from the carton.
- Fitting the two parts.
- Use the wrench until it is tightened.



## SETTING UP

### POWER ON/OFF

Push down the switch rest-lock knob first and then push down the start switch to power on machine

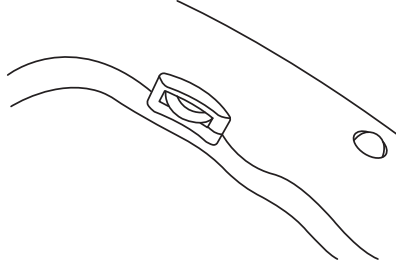




## SPEED SETTING

### ELECTRONIC SPEED REGULATOR

Turn on the power switch first, then turn the regulator switch which located in the left handle to set your wanted speed.

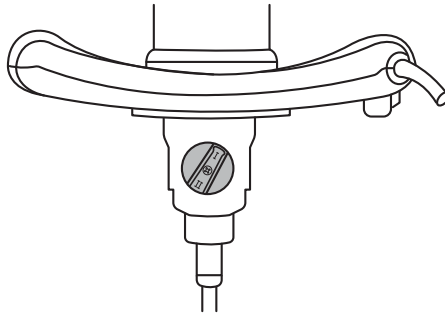


### MECHANICAL SPEED REGULATOR

When the machine is under STOP condition, please turn the Knob switch to change the speed

Gear I :low speed (200-500 rpm)

Gear II :high speed(280-700 rpm)



## CARE OF THE TOOLS

### ■ OVERLOAD

Never use excessive force when drilling. Too much pressure reduces the speed of the machine, and the required power is greatly reduced.

This may result in Over-Load, which can damage the motor of the drilling machine. When the drilling machine becomes too hot, allow it to run for two minutes without a load and then interrupt working for a short time. Clean the drilling machine with a clean cloth and a brush. Ensure that the Ventilation slits are not blocked.

 **WARNING!**

Always use the both grips which come with the appliance. Losing control of the appliance may result in injuries.





**Ronix**<sup>®</sup>  
Premium Quality

[www.ronixtools.com](http://www.ronixtools.com)