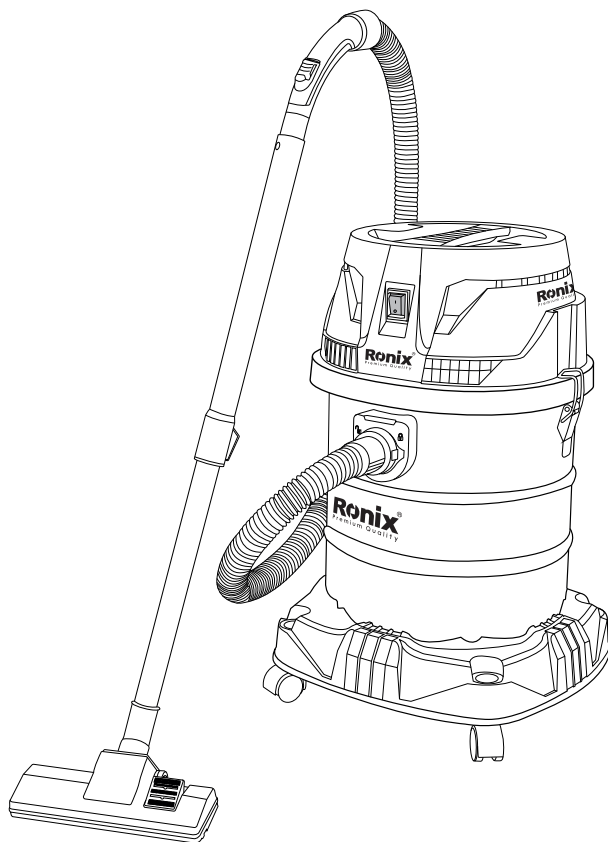


# Ronix<sup>®</sup>

Premium Quality

## INDUSTRIAL VACUUM CLEANER 1231



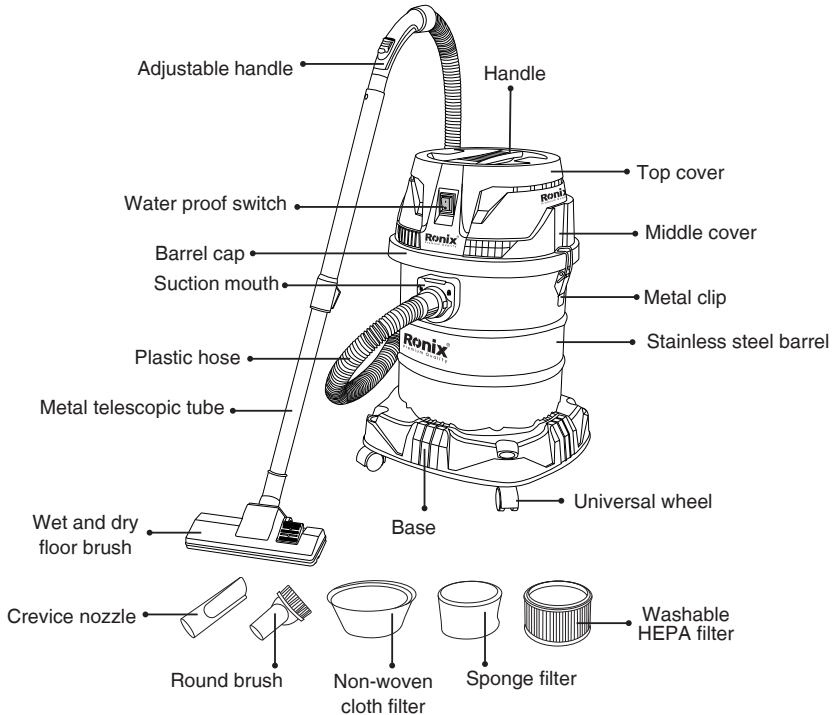
[www.ronixtools.com](http://www.ronixtools.com)



## TECHNICAL SPECIFICATIONS

Model	1231
Power	1400W
voltage	220-240V
frequency	50-60Hz
Dust Capacity	30L
Vacuum Pressure	>20KPA
Airflow Rate	1.9m <sup>3</sup> /min
Accessory	Plastic hose with adjustable handle, Metal telescopic tube, Wet & Dry Floor Brush, Crevice Nozzle, Round Brush, Non-woven cloth filter, sponge filter, washable HEPA filter

## PART LIST



## GENERAL SAFETY RULES

### **⚠ WARNING!**

Before operating this appliance, please ensure that you read & understand all the instructions that apply to it, as failure to comply with these instructions may result in personal injury to other person, and also increase the risk of fire or electrical shock. Please ensure that any replacement parts or accessories used with this appliance are correctly and/or securely fitted before use.

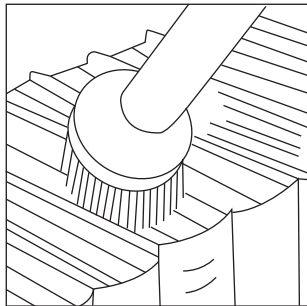
**PLEASE RETAIN THE INSTRUCTIONS FOR CONSTANT REFERENCE.**

## PRODUCT CHARACTERISTICS

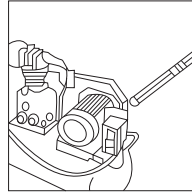
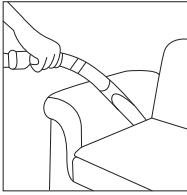
- 1- Vacuum cleaner for wet and dry
- 2- Jacks on the base, easy for depositing accessories
- 3- Blowing function, satisfy different requirements

### **USE THE RIGHT ACCESSORIES ACCORDING TO DIFFERENT SITUATIONS.**

Bristle for bookshelves, windows and bibulous brush for floor and carpet, tables, etc.

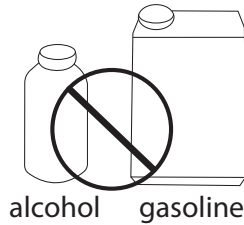


Crevice nozzle for crevice, corner, etc. Blowing mouth for blowing the dust away in the crevice of the machine

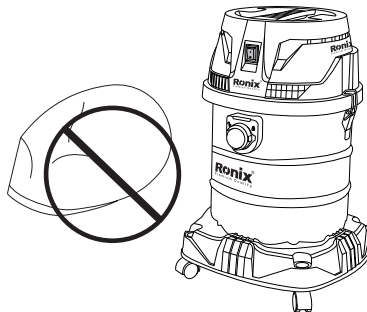


## SAFETY INSTRUCTION

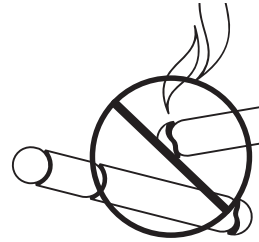
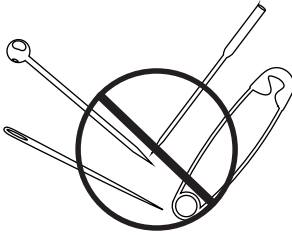
- 1) Check before operation that the local power supply is the same as the specification on the rating label.
- 2) Do not use machine in the combustible and explosive place in case the motor spark causes fire.



- 3) Do not jam the air inlet mouth, in case temperature rises and damaging the motor.



4) Do not collect combustible and explosive objects such as glowing cigarette, gasoline, etc.

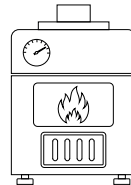
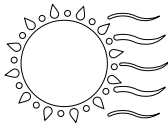


Do not collect sharp objects.

Do not collect objects which can easily attach on the filter such as calcareousness powder, gesso and graphite powder. Because those will block the ventilation and damage motor.

5) Turn off the machine and remove the plug each time after using or when being repaired.

6) Keep machine away from strong sunlight and high temperature place in case plastic is distorted.



7) Do not wrest, tramp, or haul hose in case of making it damaged.

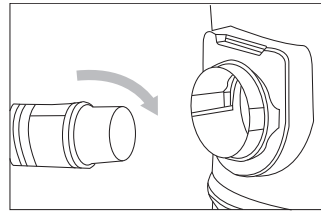
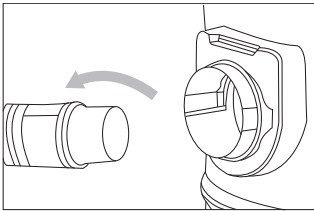
8) The power cord must be replaced by the Ronix service center.

## OPERATION METHOD

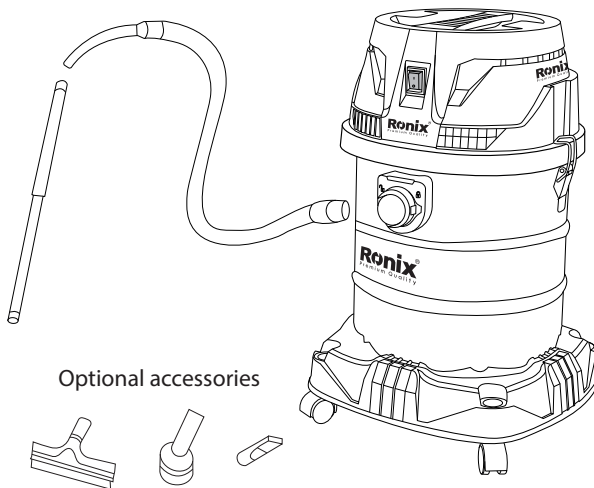
### ■ CONNECTION

Insert the hose connector into the air inlet mouth, as shown in the picture; make sure the connector is tightly fastened.

Press the connector button as shown in the picture, and pull the connector out when you want to pull hose connector from machine.



**AS SHOWN IN THE PICTURE, CONNECT ALL THE ACCESSORIES FOR WET & DRY CLEANING.**

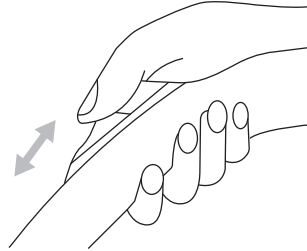


## ■ OPERATION

- 1) Insert the plug into the supply socket.
- 2) Press switch button, the machine begins to work.
- 3) You can adjust the airflow by pushing the sliding block up and down.



«I» stands for turn on  
«O» stands for turn off



## MAINTENANCE

### ■ BARREL CLEANING

After working or when the barrel is full of dust which causes suction decrease considerably, you should cut off the electricity and clean the dust away from the barrel.

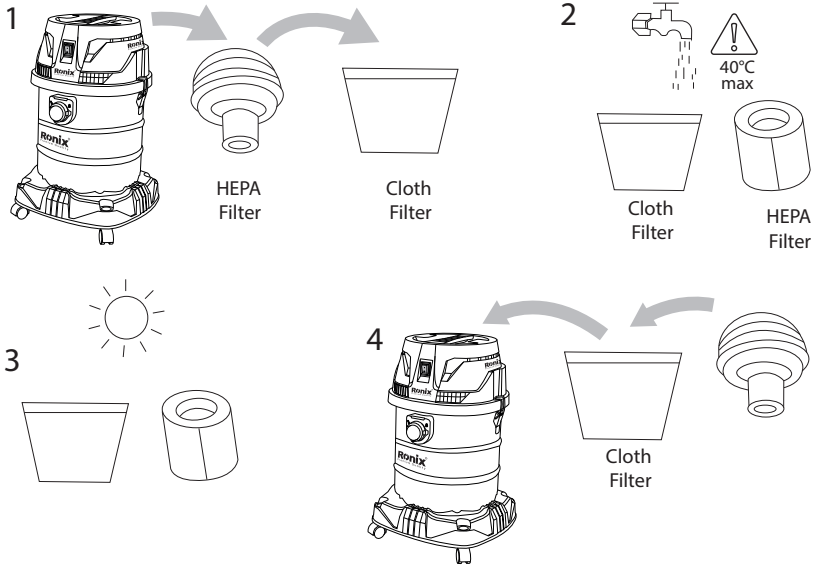
- 1) Unfasten the locking knob, lift up the top cover.
- 2) Take off the filter bag, clean the dust away in the dust barrel.
- 3) Install the filter bag back and place the top cover.

### ■ FILTER CLEANING

Filter bag should be washed by clean and warm water when it is covered with dust. If necessary, you can use litmus less scour to wash.

- 1) Take off the filters
- 2) Wash
- 3) Dry
- 4) Assemble filters







[www.ronixtools.com](http://www.ronixtools.com)